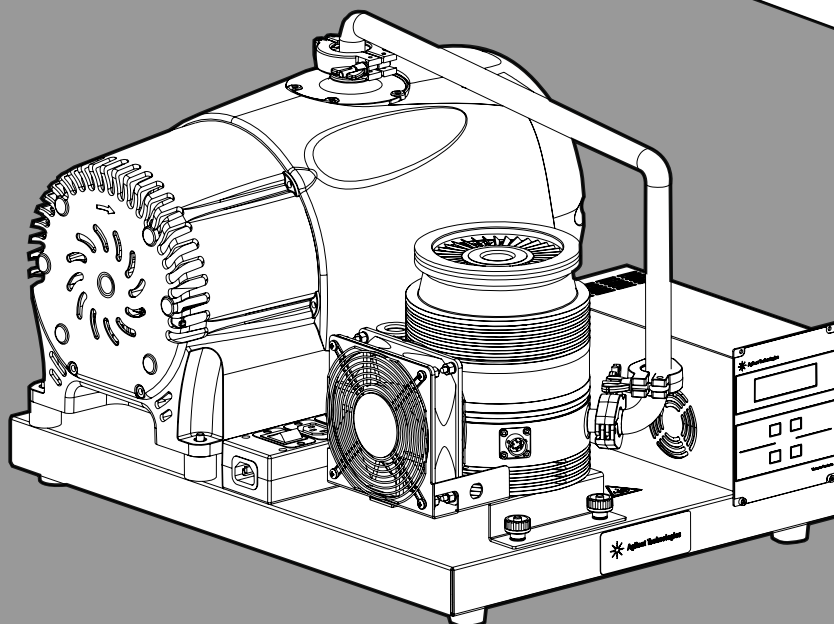
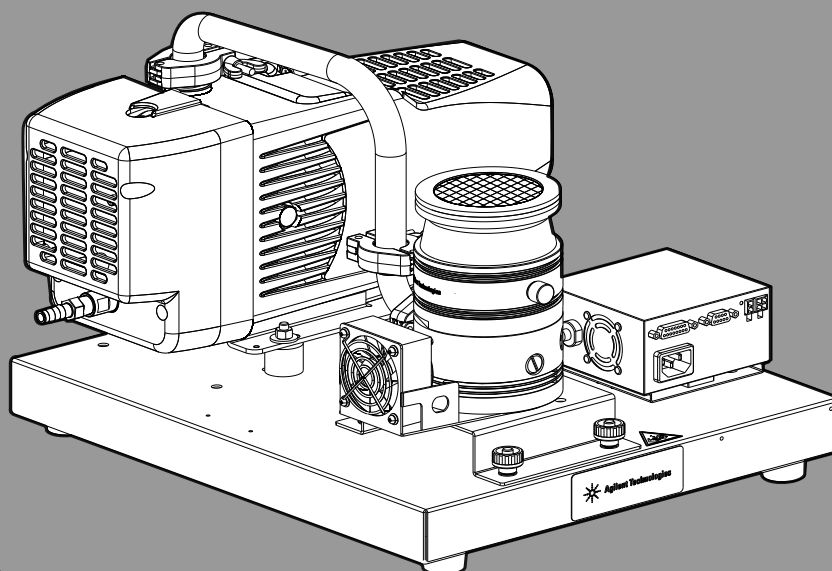




Agilent TPS-flexy

Quick Reference Assembly Guide



United States

Toll free: +1 800 882 7426

Europe and other countries

Toll free: 00 800 234 234 00

China

Toll free: 400 820 6778 (mobile)

Toll free: 800 820 6778 (landline)

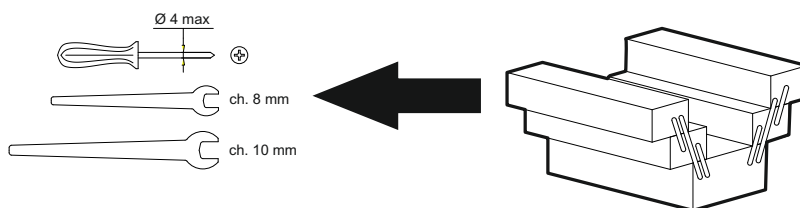
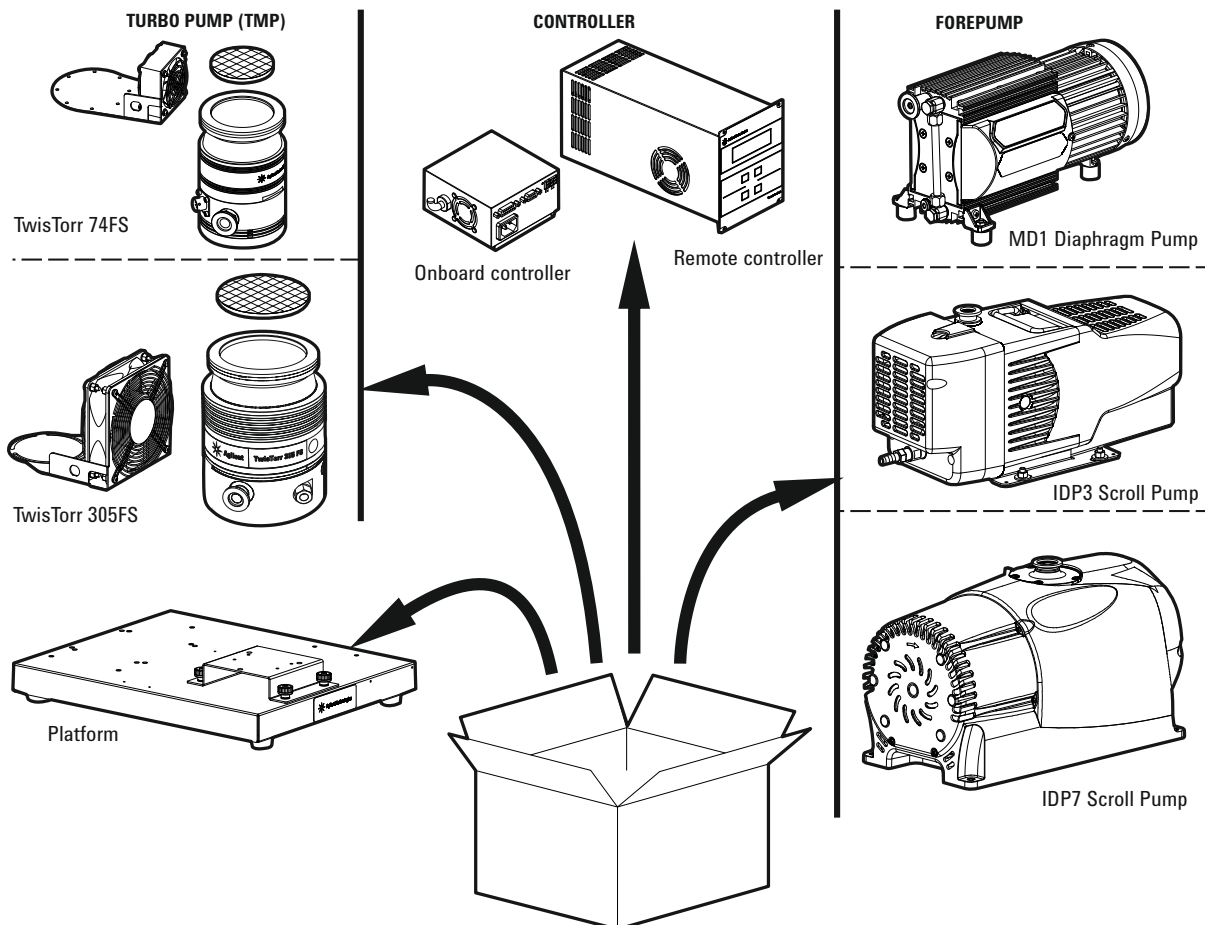


Agilent Technologies

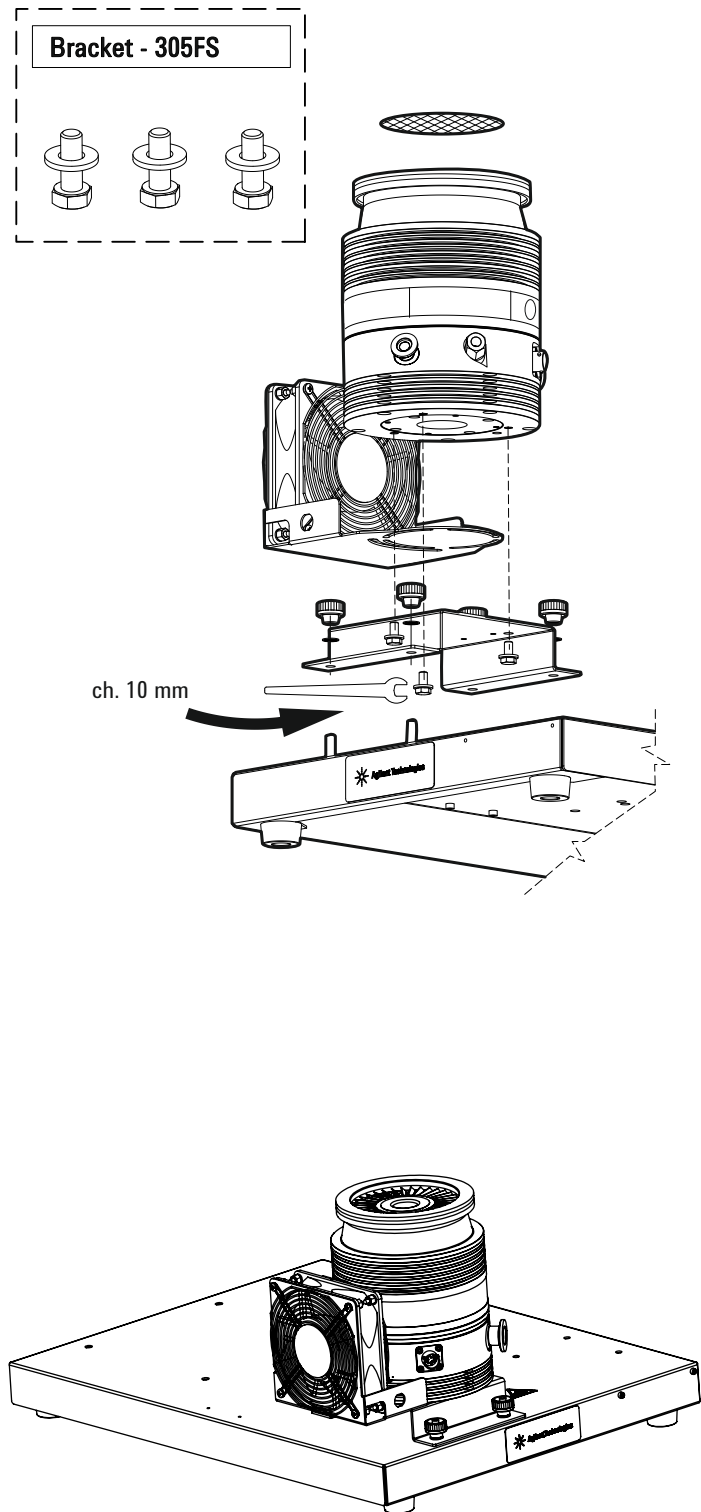
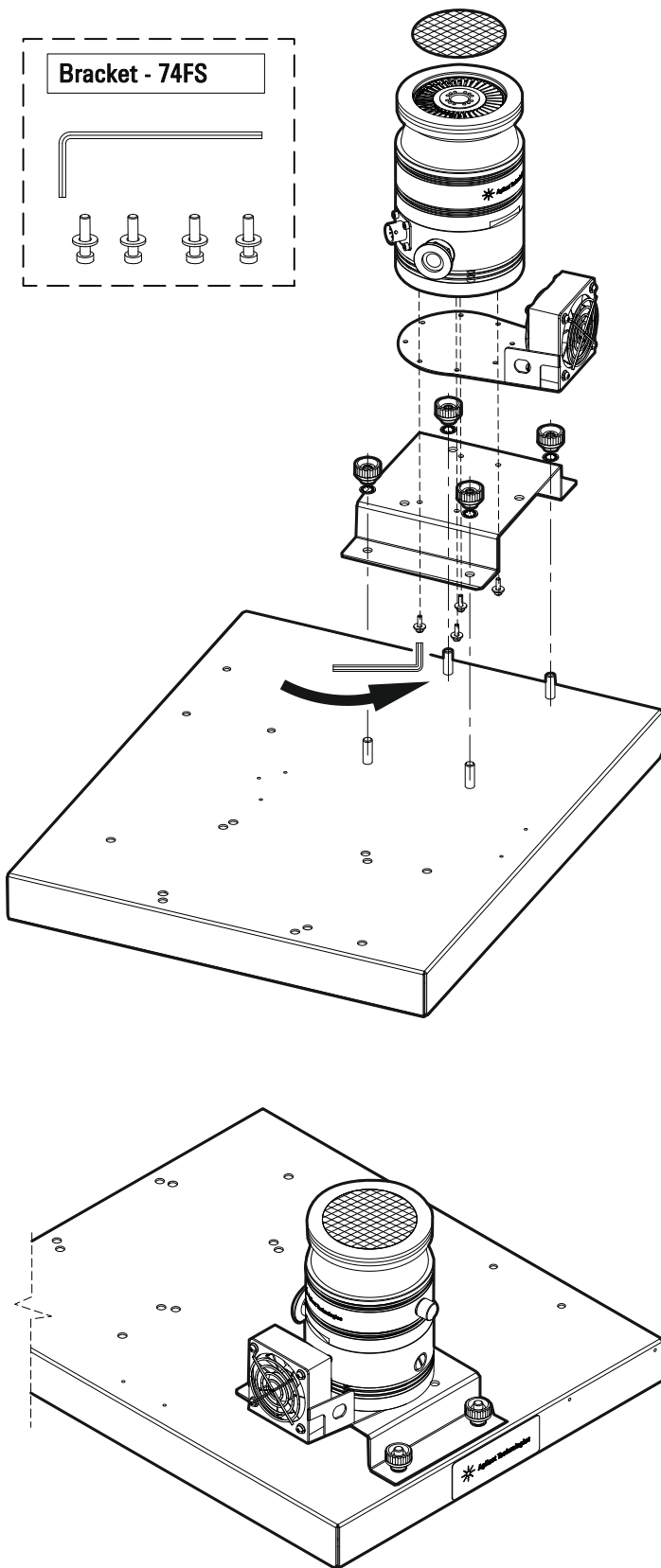
Code 87-900-149-01 (C.00) 07/2020

Agilent TPS-flexy Quick Reference Assembly Guide

NOTE: for the full list of available configurations please check the TPS-flexy Data Sheet on Agilent.com; you can find it here: www.agilent.com/chem/tps-flexy-data-sheet

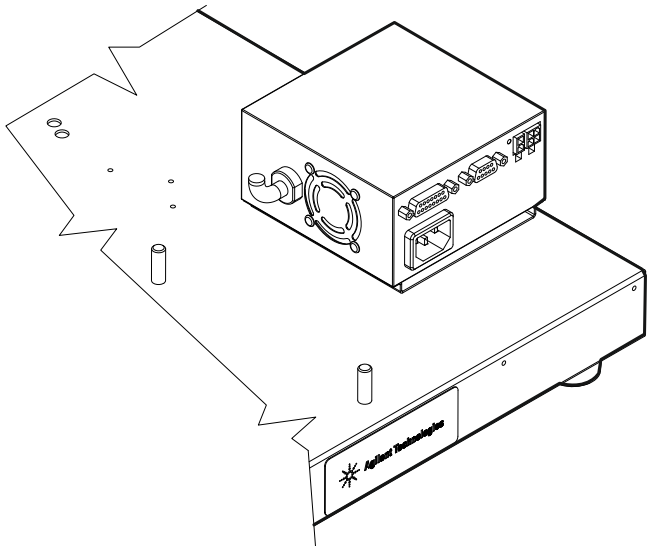
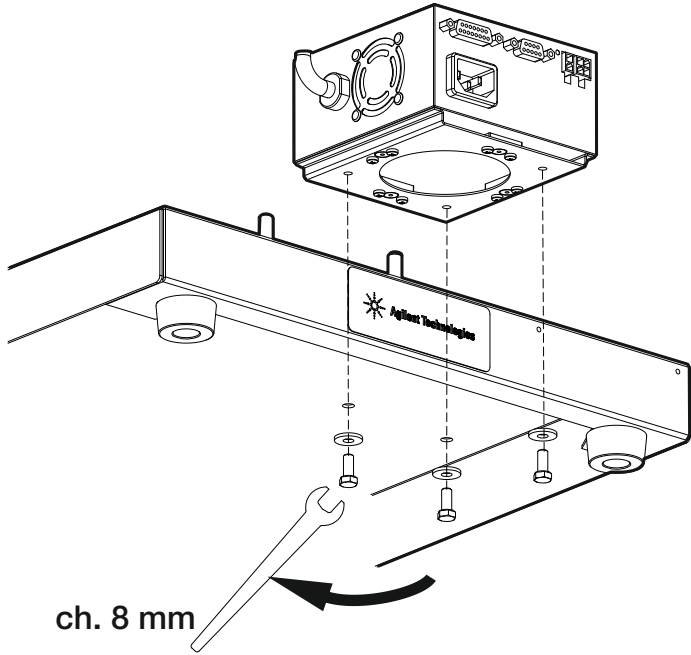
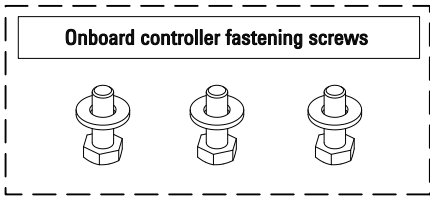
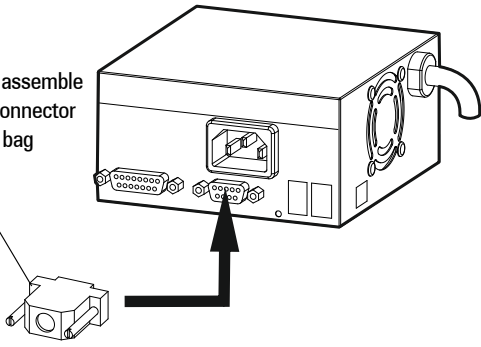


Agilent TPS-flexy Quick Reference Assembly Guide

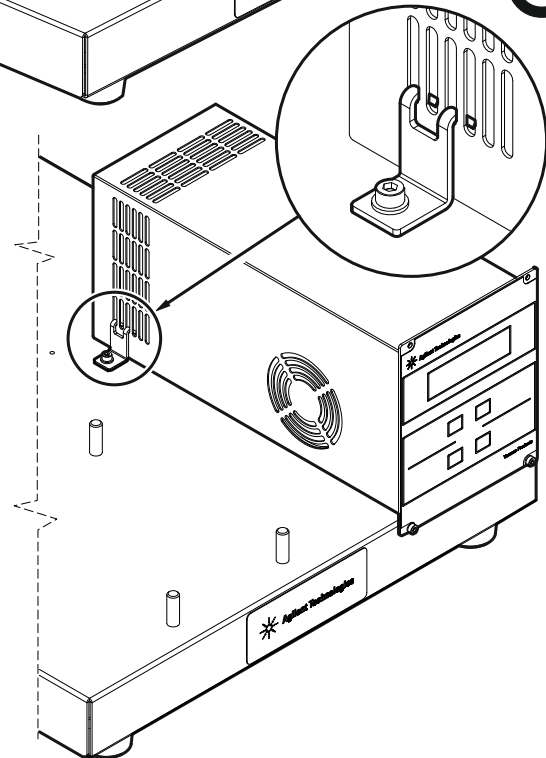
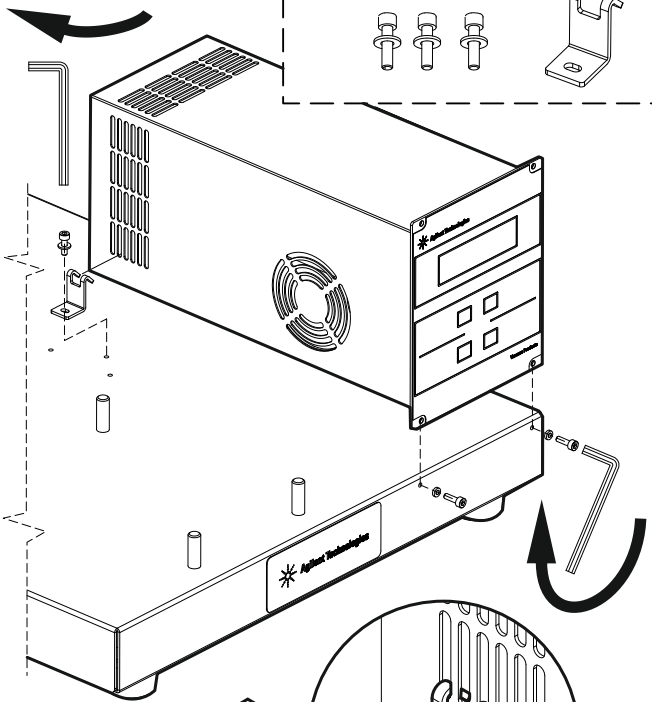
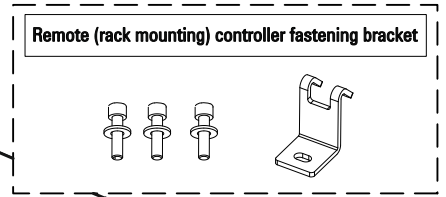
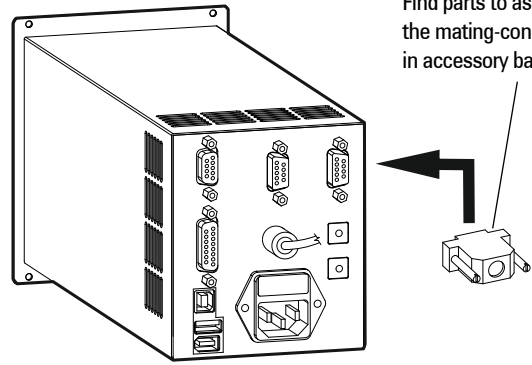


Agilent TPS-flexy Quick Reference Assembly Guide

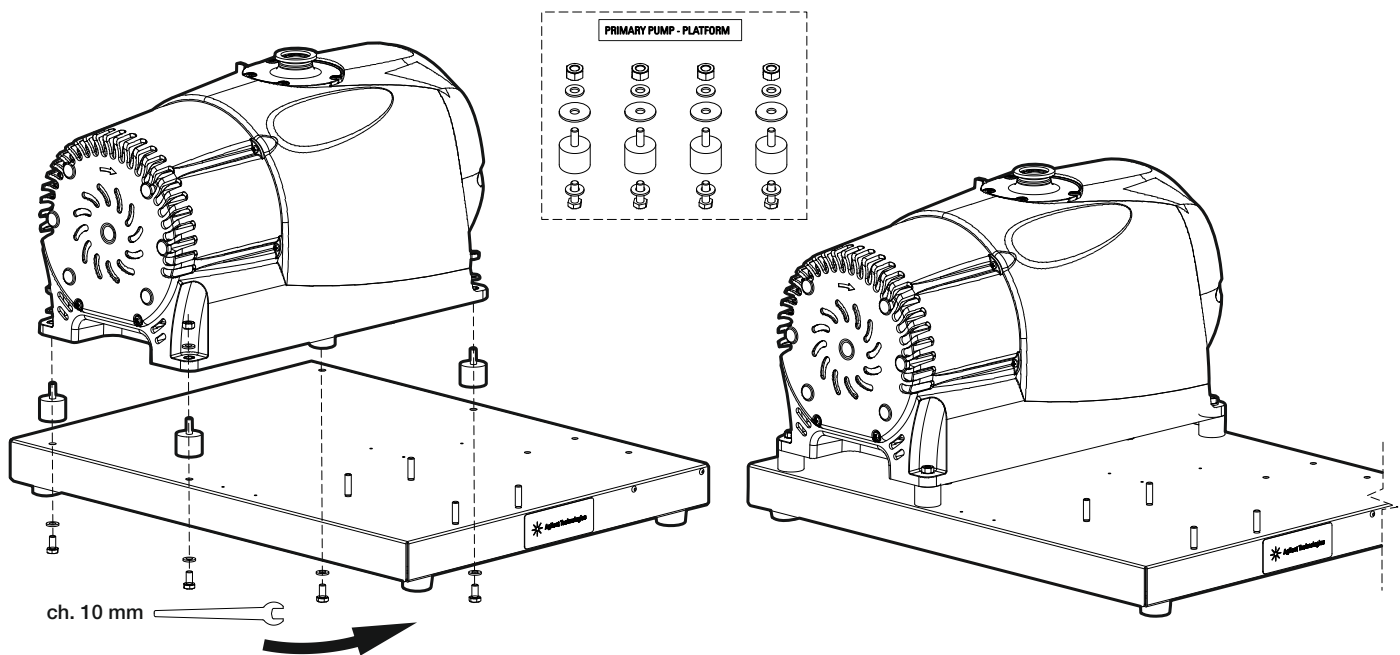
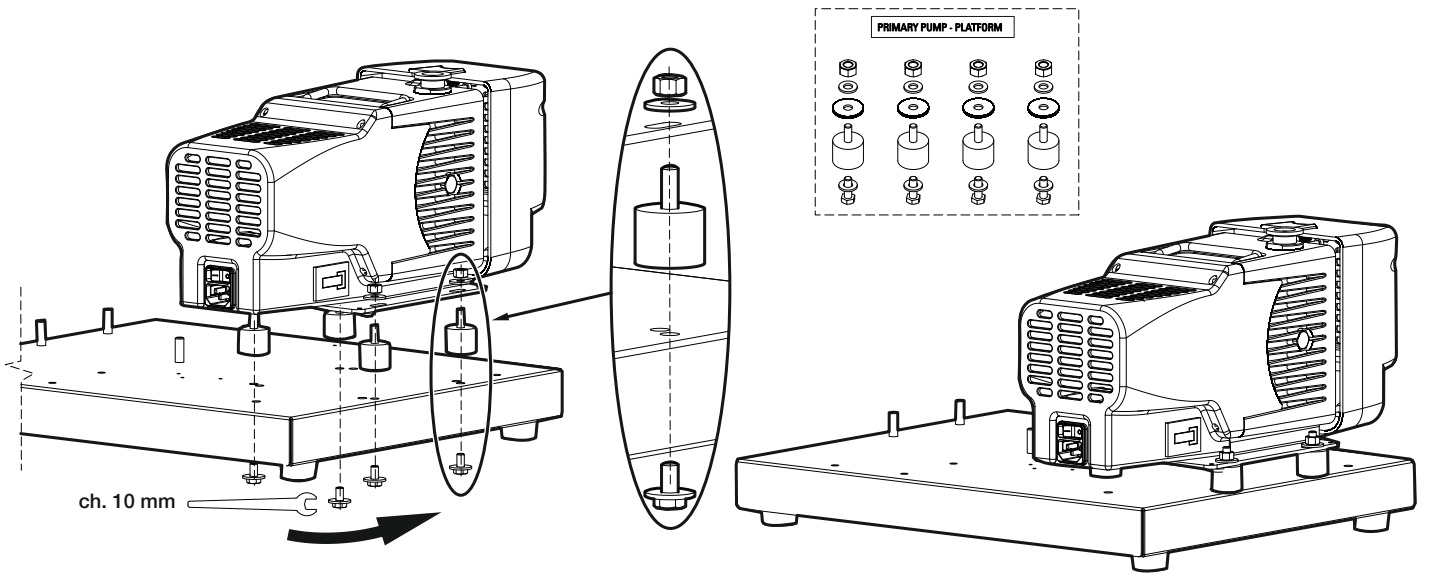
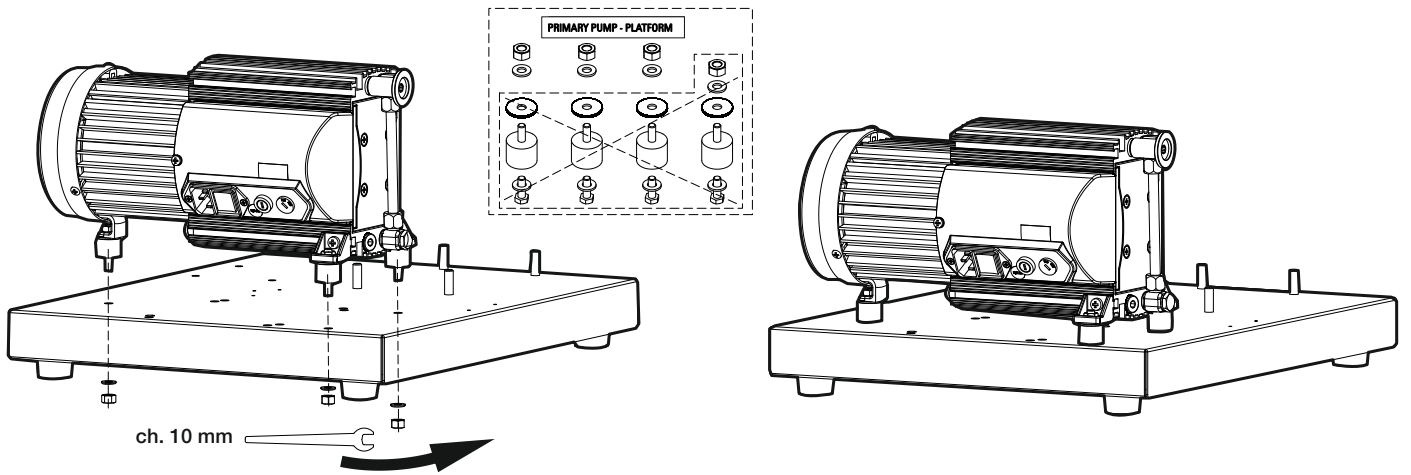
Find parts to assemble the mating-connector in accessory bag



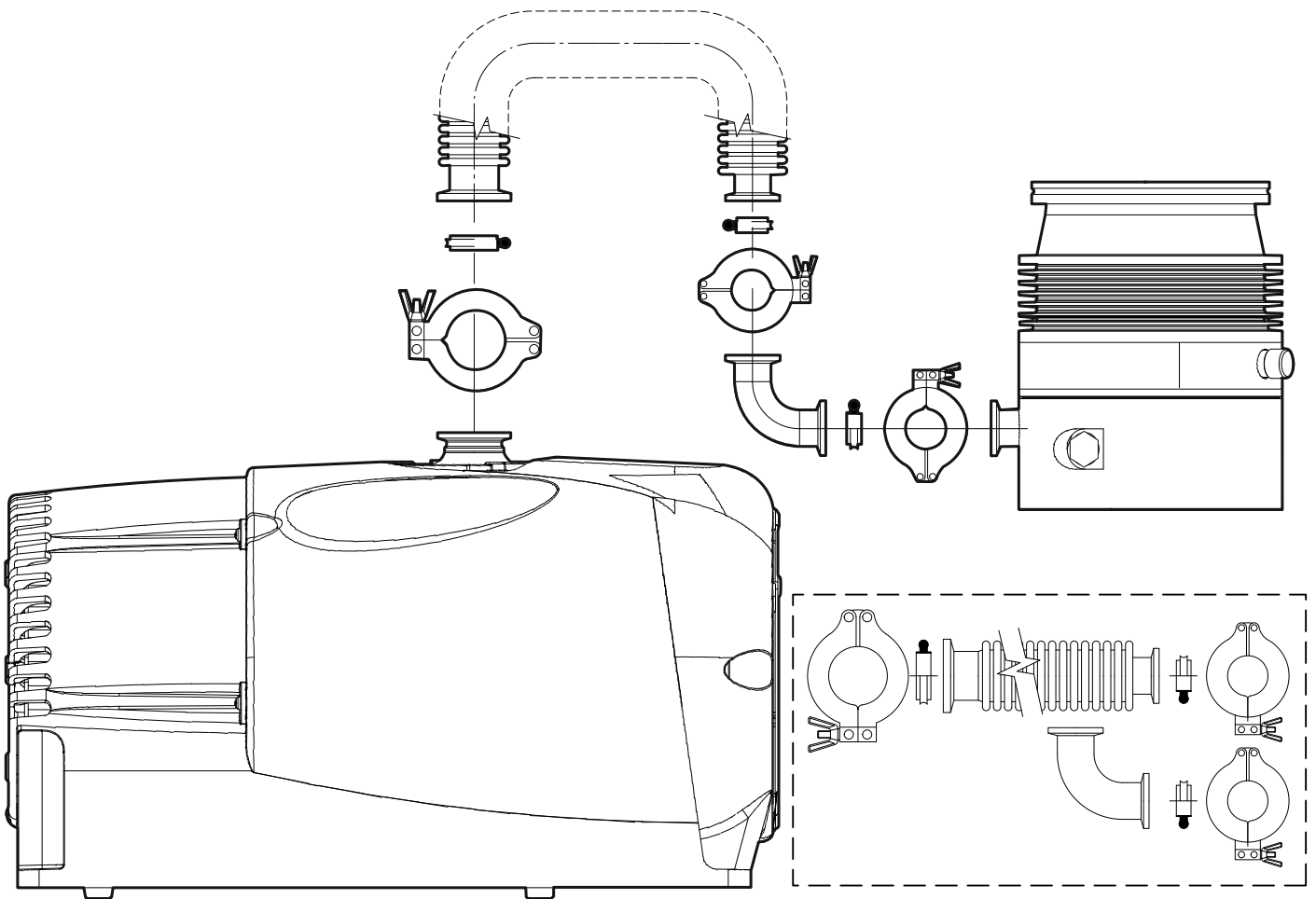
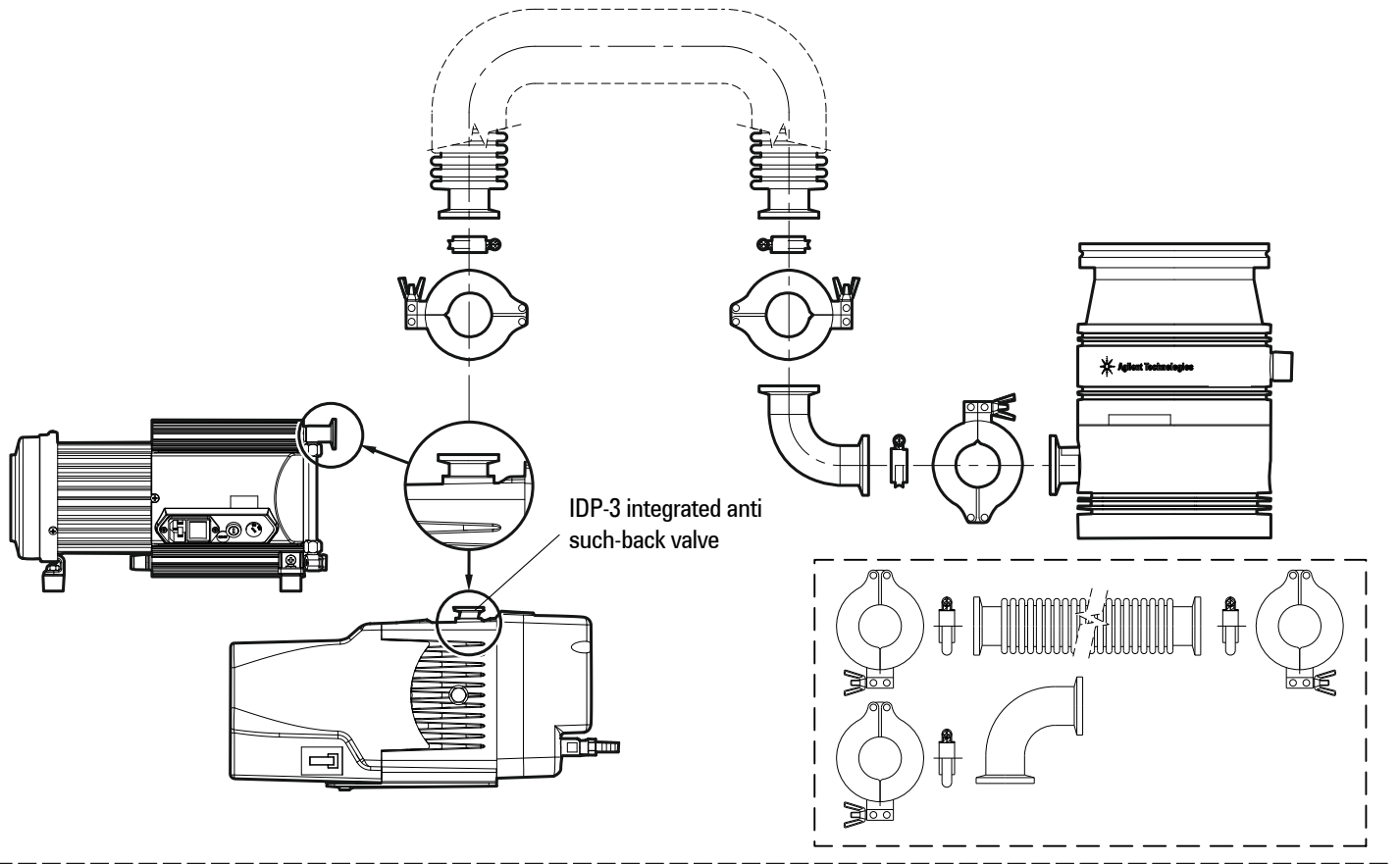
Find parts to assemble the mating-connector in accessory bag



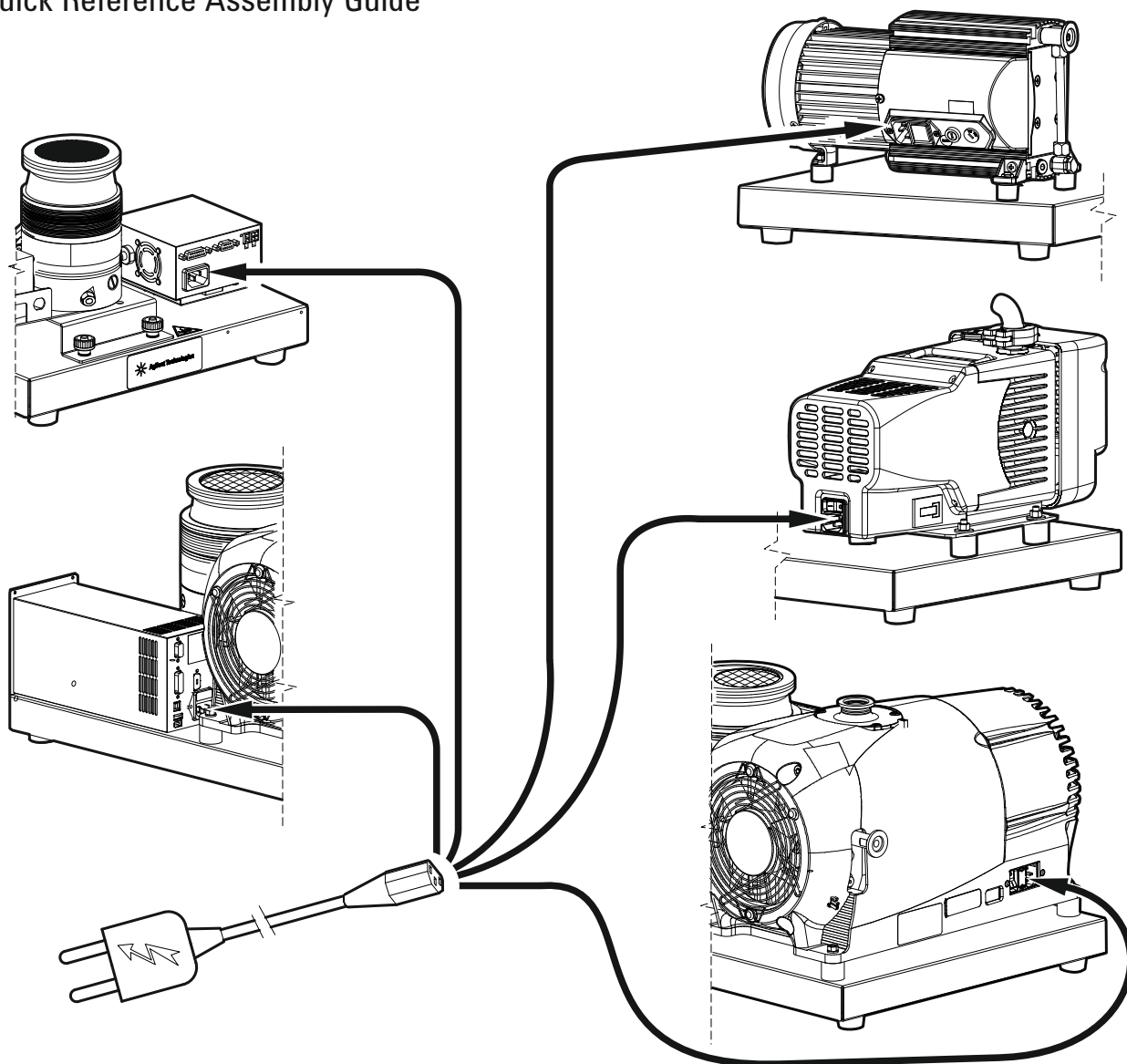
Agilent TPS-flexy Quick Reference Assembly Guide



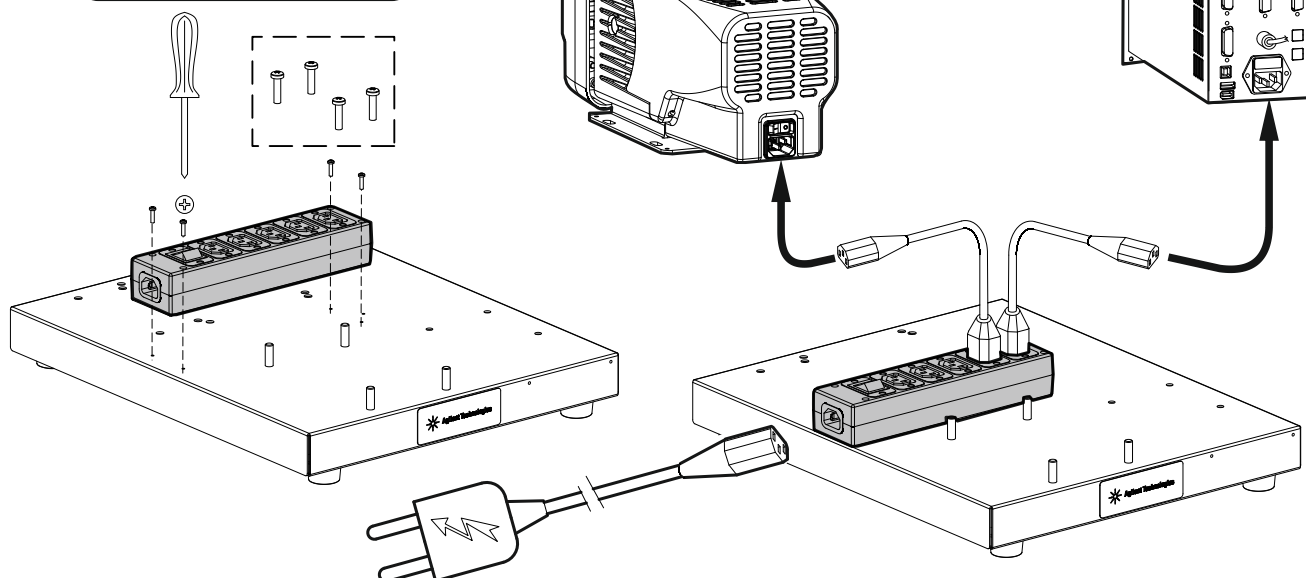
Agilent TPS-flexy Quick Reference Assembly Guide



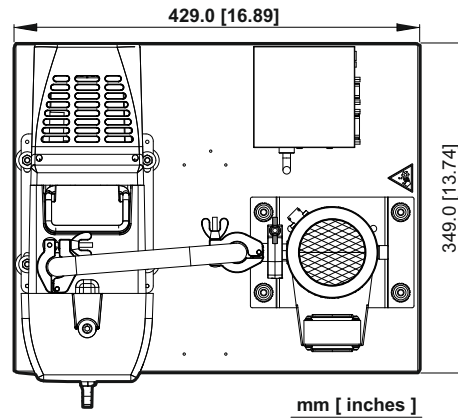
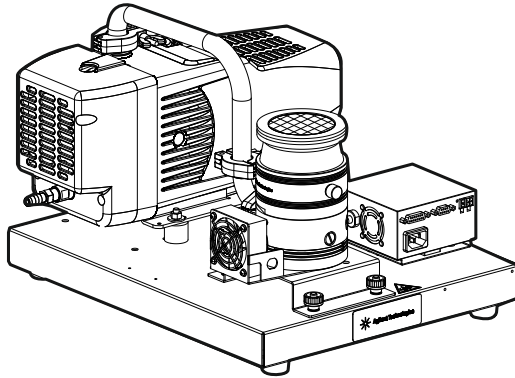
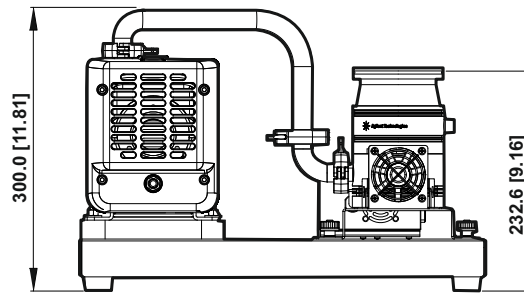
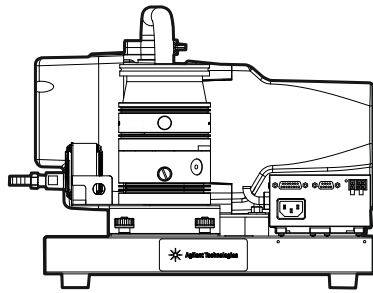
Agilent TPS-flexy Quick Reference Assembly Guide



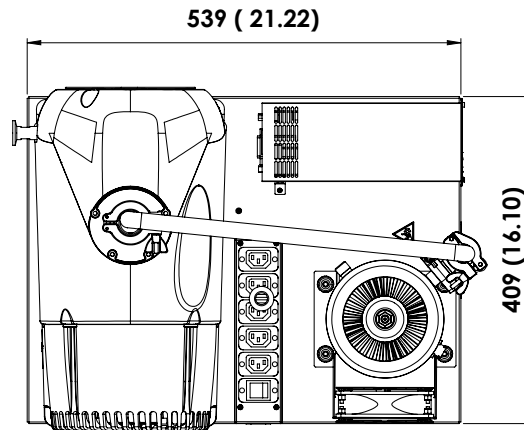
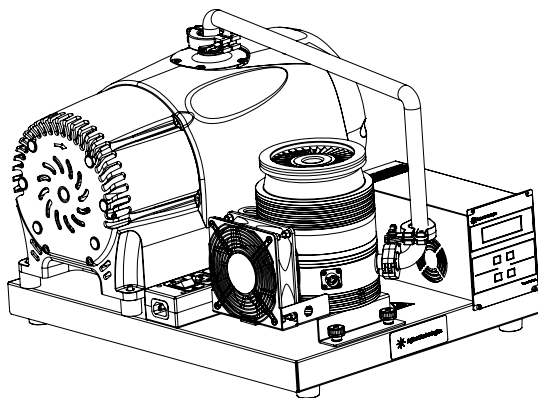
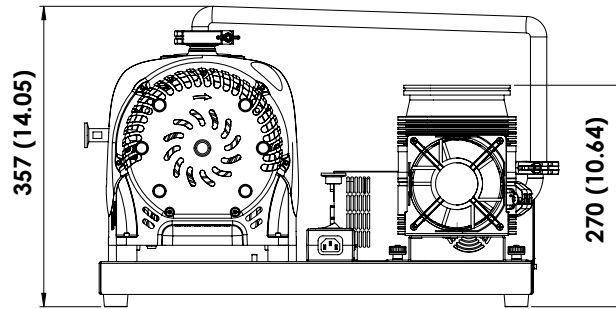
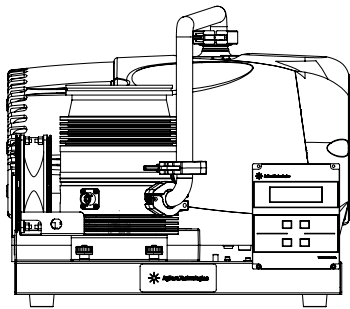
OPTION SR03741796



Agilent TPS-flexy Quick Reference Assembly Guide



mm [inches]



mm [inches]



WARNING

Danger due to open high vacuum flange

The rotor of the turbopump turns at high speed. If the high vacuum flange is open, there is a danger of cut injuries and that the pump can be destroyed by objects falling into it.

→ Never operate the pump with an open high vacuum flange.

Note:

Agilent TPS-flexy

Quick Reference Assembly Guide

United States

Agilent Technologies
121 Hartwell Avenue, Lexington MA 02421, USA
Tel: +1 781 861 7200, Fax: +1 781 860 5437
Toll free: +1 800 882 7426

Europe and other countries

Agilent Technologies Italia SpA
via F.lli Varian 54, 10040 Leini, (Torino), Italy
Tel: +39 011 9979 111, Fax: +39 011 9979 350
Toll free: 00 800 234 234 00

China

Agilent Technologies Co. Ltd.
No.3, Wang Jing Bei Lu, Chao Yang District,
Beijing, 100102, China
Tel: +86 (0) 10 64397888, Fax: +86 (0) 10 64392765
Toll free: 400 820 6778 (mobile)
Toll free: 800 820 6778 (landline)

This information is subject to change without notice.

