

SPS Autosampler Racks for Agilent PFA Bottles

Table 1. SPS autosampler rack compatibility with Agilent PFA bottles.

SPS Rack Part Number	SPS Rack Description	Agilent PFA Bottle Part Number	Agilent PFA Bottle Description
G8410-68001	SPS sample rack, 21 bottles × 31.5 mm od	G8410-68011	PFA lab bottle, 20 mL with 33 mm closure
G8410-68002	SPS sample rack, 10 bottles × 38 mm od	G8410-68012	PFA lab bottle, 50 mL with 33 mm closure
G8410-68003	SPS sample rack, 4 bottles × 57.5 mm od	G8410-68013	PFA lab bottle, 100 mL with GL45 closure
G8410-68004	SPS sample rack, 2 bottles × 72 mm od	G8410-68014	PFA lab bottle, 200 mL with GL45 closure
G8410-68005	SPS sample rack, 2 bottles × 87 mm od	G8410-68015	PFA lab bottle, 500 mL with GL45 closure

Assembling the SPS racks

Note: The rack for 21 bottles × 31.5 mm requires only one tray.

SPS rack assembly holder

SPS rack assembly plates

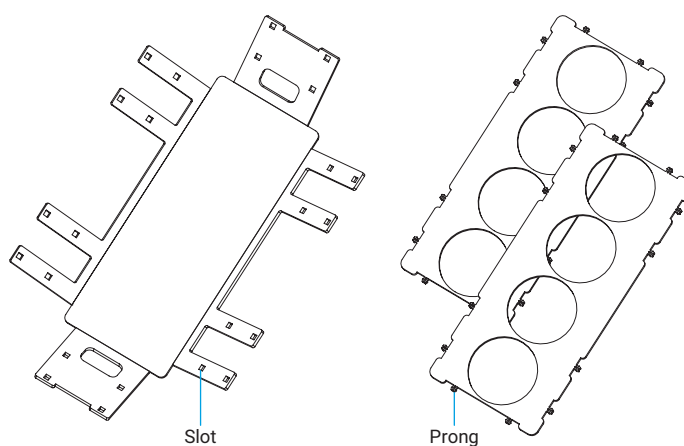
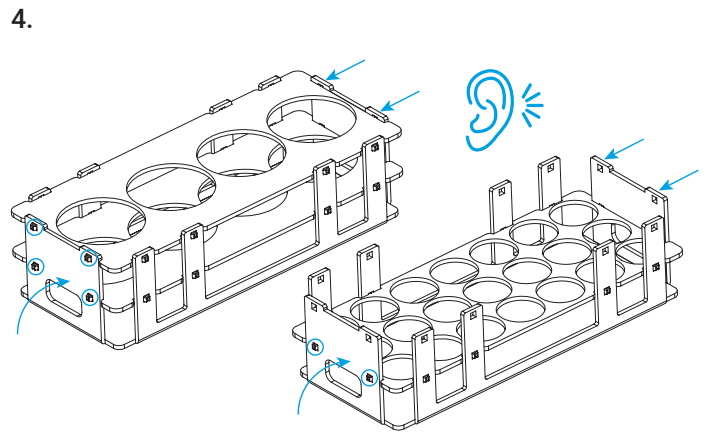
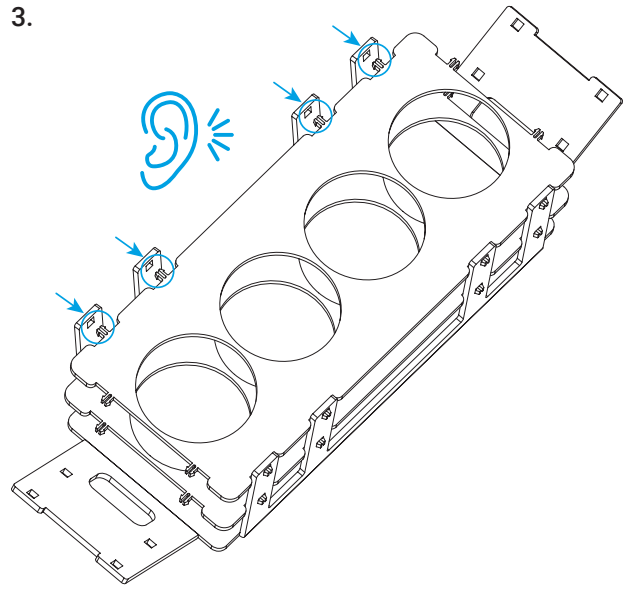
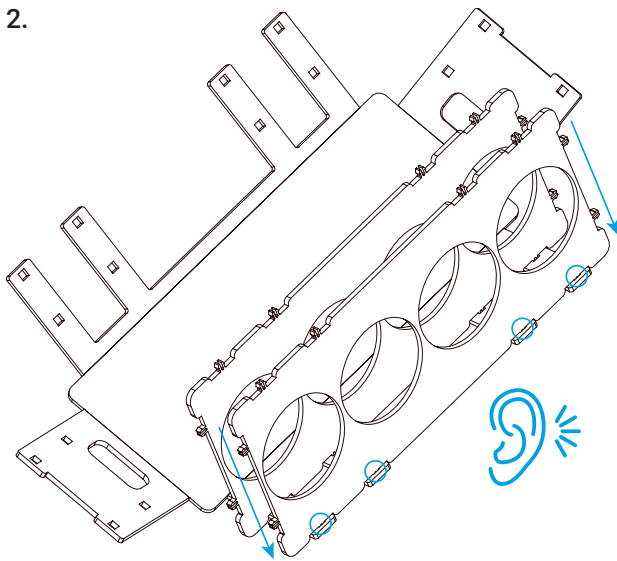
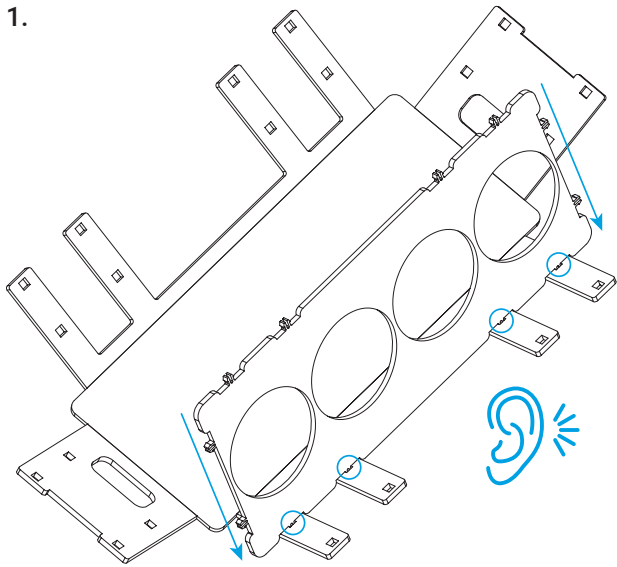


Figure 1. The rack assembly holder and two plates, with examples of a slot and prong indicated.



www.agilent.com

DE-010211

This information is subject to change without notice.

© Agilent Technologies, Inc. 2025
Printed in the USA, October 9, 2025

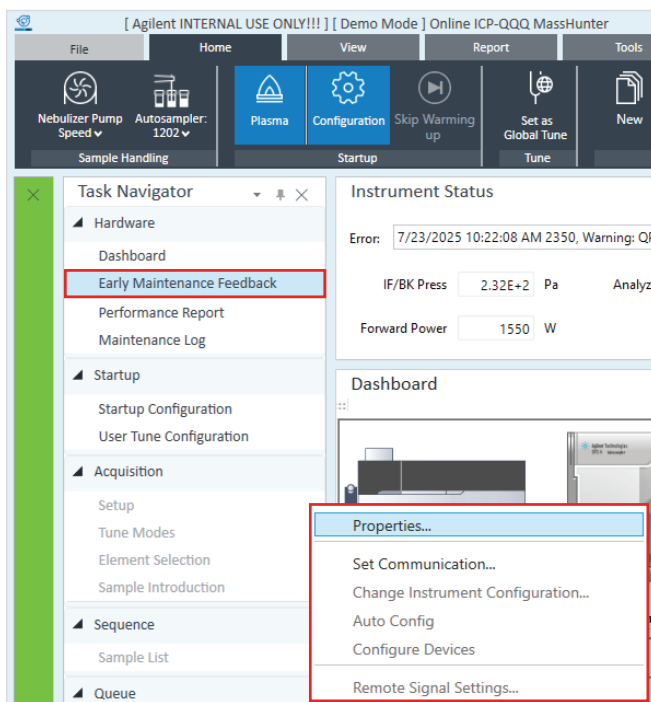
G8410-68007



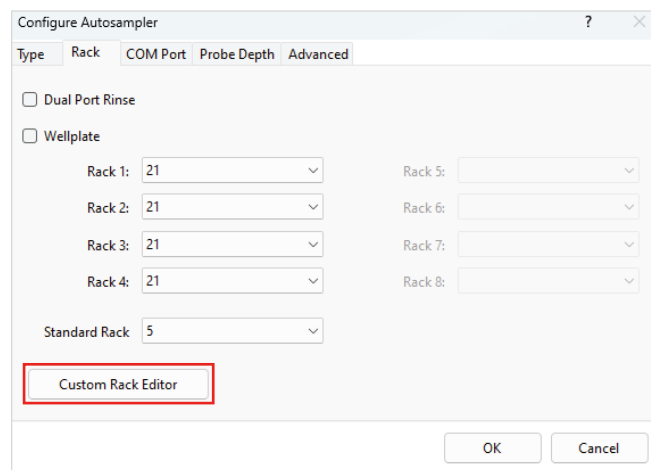
How to use the SPS custom racks with ICP-MS MassHunter 5.4 or above

The Custom Rack Editor for Agilent SPS autosampler is available from ICP-MS MassHunter 5.4 (G7201D D.01.04), released in April 2025, and subsequent versions. The following procedure describes the key steps to set up custom racks.

1. In "Early Maintenance Feedback", left-click the SPS autosampler image and select **Properties...**



2. On the "Rack" tab, click **Custom Rack Editor**.



3. Declare the racks and save them under the appropriate name. Table 2 summarizes the information for each of the custom SPS racks for Agilent PFA lab bottles.

Table 2. Parameters for each of the custom SPS racks for Agilent PFA lab bottles.

	Rack Version				
	G8410-68001 21 Positions 20 mL PFA Bottles	G8410-68002 8 Positions 50 mL PFA Bottles	G8410-68003 4 Positions 100 mL PFA Bottles	G8410-68004 2 Positions 250 mL PFA Bottles	G8410-68005 2 Positions 500 mL PFA Bottles
Shape	Circle	Circle	Circle	Circle	Circle
Width (mm)	32	38	58	72	87
Base Rack Type	21	60	60	60	60
Position	Base Vial Number				
1	R101	R202	R302	R303	R303
2	R102	R205	R305	R310	R310
3	R103	R208	R308		
4	R104	R211	R311		
5	R105	R402			
6	R106	R405			
7	R107	R408			
8	R201	R411			
...	R20 2 to 6				
14	R207				
15	R301				
...	R30 2 to 6				
21	R307				

Figures 2 to 6 illustrate the creation of the different SPS racks for Agilent PFA lab bottles.

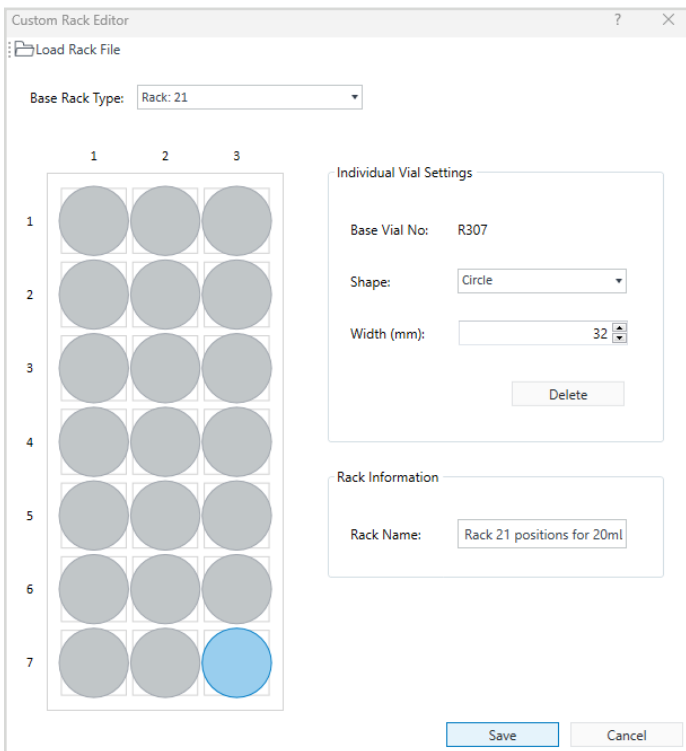


Figure 2. Creation of the G8410-68001 rack with 21 positions for 21 bottles having up to a 31.5 mm diameter.

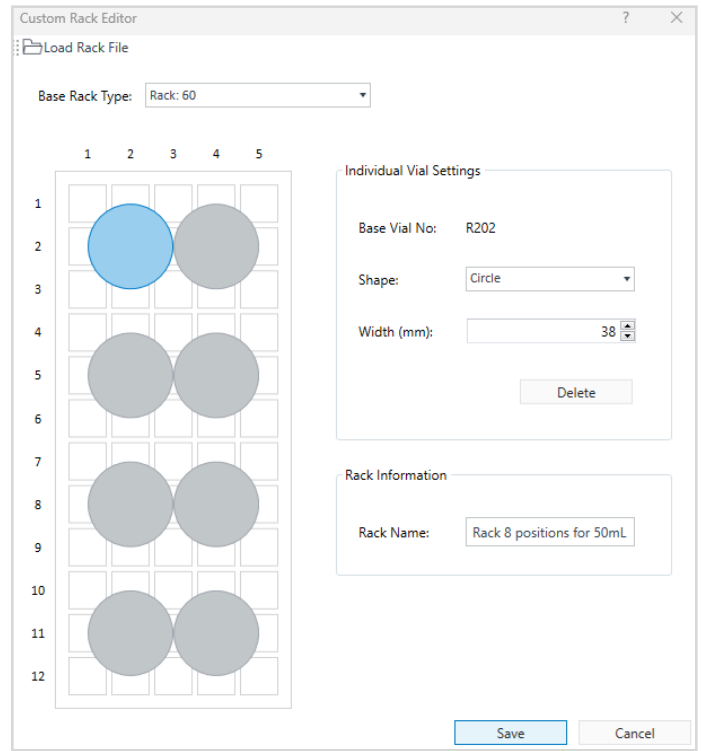


Figure 3. Creation of the G8410-68002 rack with eight positions for eight bottles having up to a 38 mm diameter.

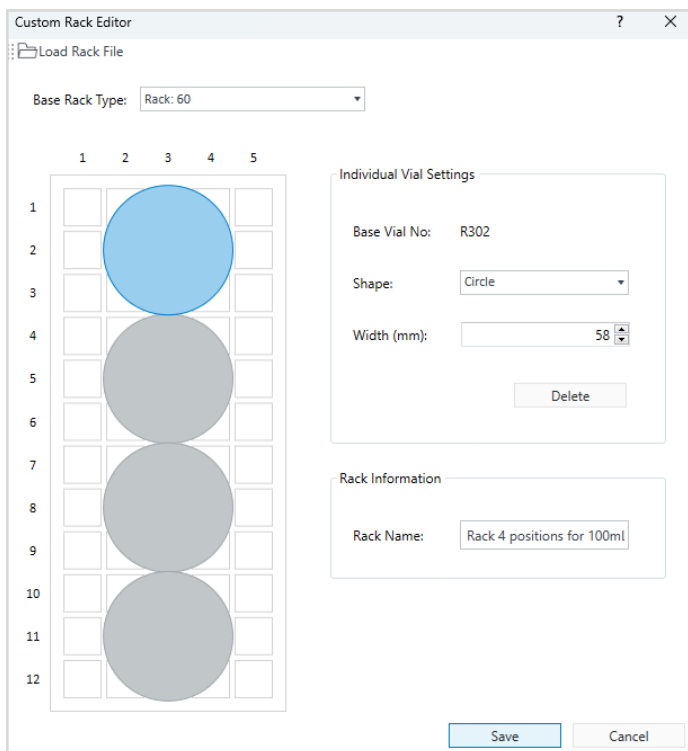


Figure 4. Creation of the G8410-68003 rack with four positions for four bottles having up to a 57.5 mm diameter.

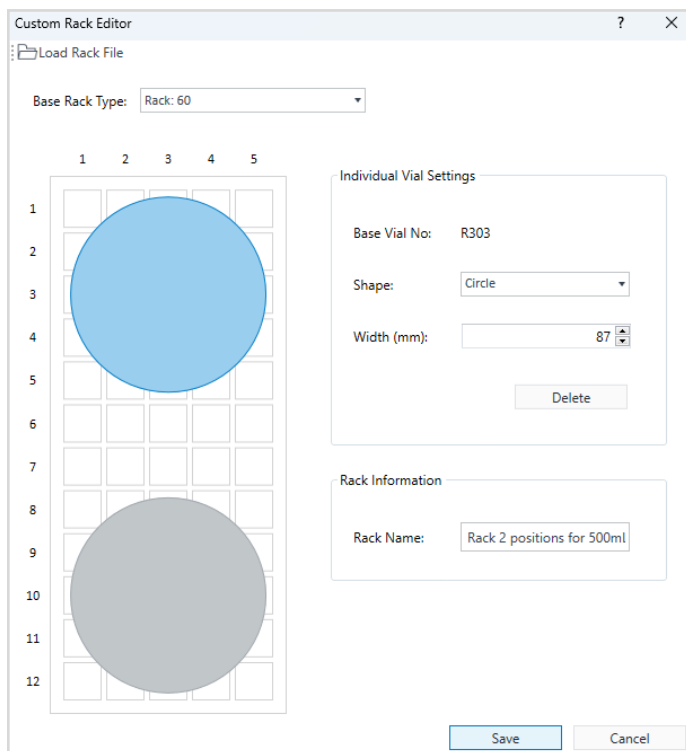


Figure 6. Creation of the G8410-68005 rack with two positions for two bottles having up to a 87 mm diameter.

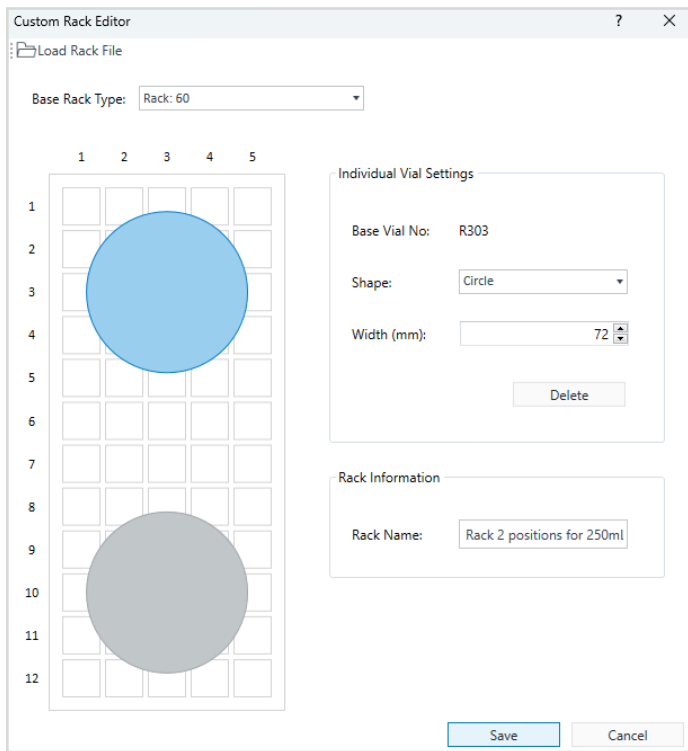


Figure 5. Creation of the G8410-68004 rack with two positions for two bottles having up to a 72 mm diameter.

Once created and saved, the different custom racks can be accessed from the drop-down menu for each of the SPS autosampler racks, as shown in Figure 7.

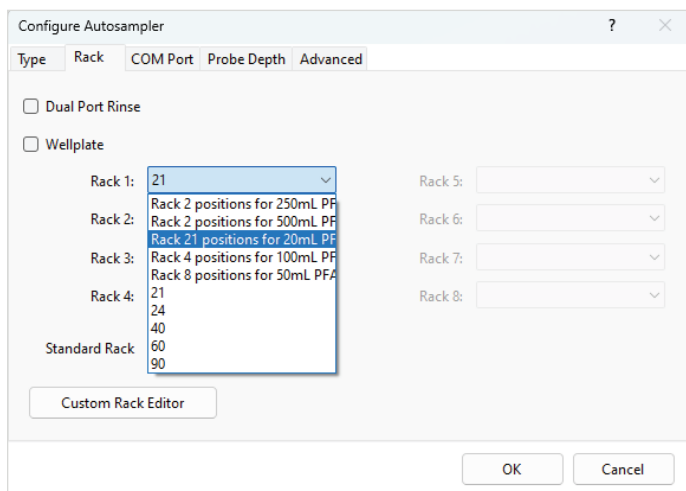
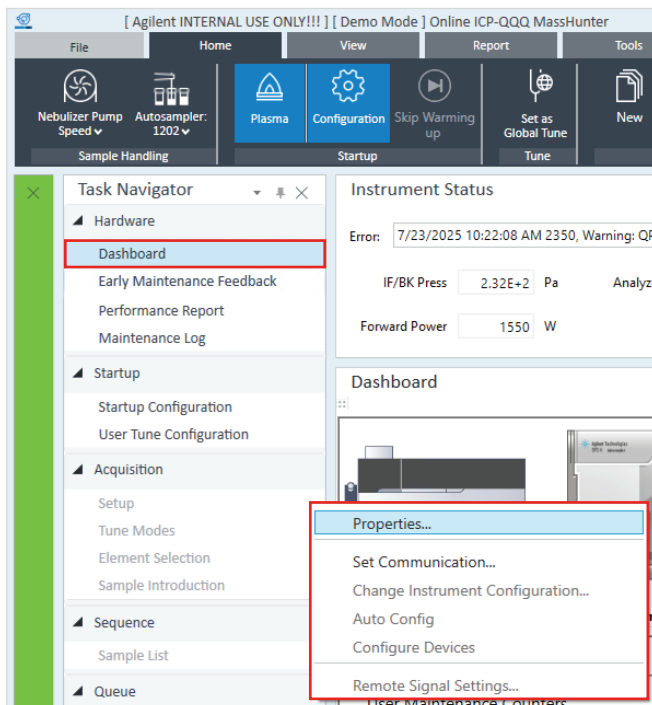


Figure 7. The drop-down menu for each of the SPS autosampler racks.

How to use the SPS custom racks with ICP-MS MassHunter 5.3 or below

1. In the Dashboard, left-click on the SPS autosampler image and select **Properties...**



2. Set up the appropriate racks under the "Rack" tab.

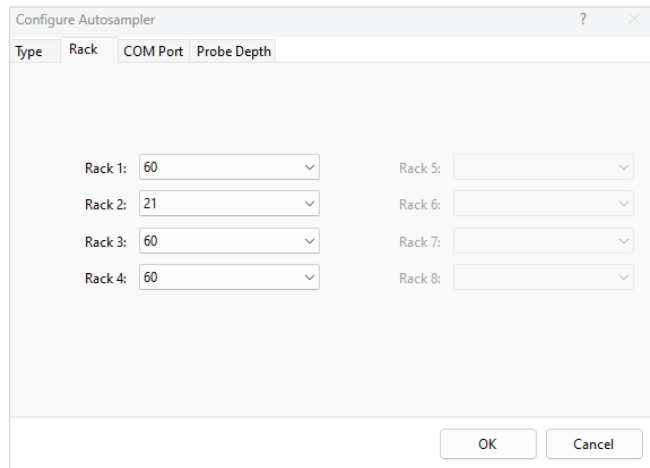


Table 3 indicates the rack to set up and positions to use to move the probe in the different bottles.

Table 3. The rack to set up and positions to use to move the probe with the different bottles.

	Rack Version				
	G8410-68001 21 Positions 20 mL PFA Bottles	G8410-68002 8 Positions 50 mL PFA Bottles	G8410-68003 4 Positions 100 mL PFA Bottles	G8410-68004 2 Positions 250 mL PFA Bottles	G8410-68005 2 Positions 500 mL PFA Bottles
Standard Rack to Set Up	21	60	60	60	60
Position	Indicated Vial Number				
1	X101	X202	X302	X303	X303
2	X102	X205	X305	X310	X310
3	X103	X208	X308		
4	X104	X211	X311		
5	X105	X402			
6	X106	X405			
7	X107	X408			
8	X201	X411			
...	X20 2 to 6				
14	X207				
15	X301				
...	X30 2 to 6				
21	X307				

X to be replaced by the rack number.

www.agilent.com

DE-010211

This information is subject to change without notice.

© Agilent Technologies, Inc. 2025
Printed in the USA, October 9, 2025

G8410-68007

