



# **Agilent 1260 Infinity II**

## **Max Uptime Kit**

### **Technical Note**

The Agilent 1260 Infinity II Max Uptime Kit is for Agilent 1260 Infinity II Systems.

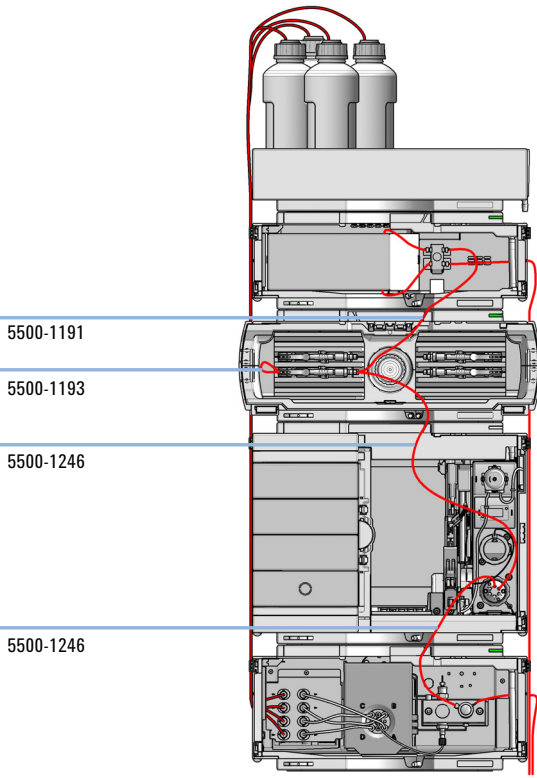


**Agilent Technologies**

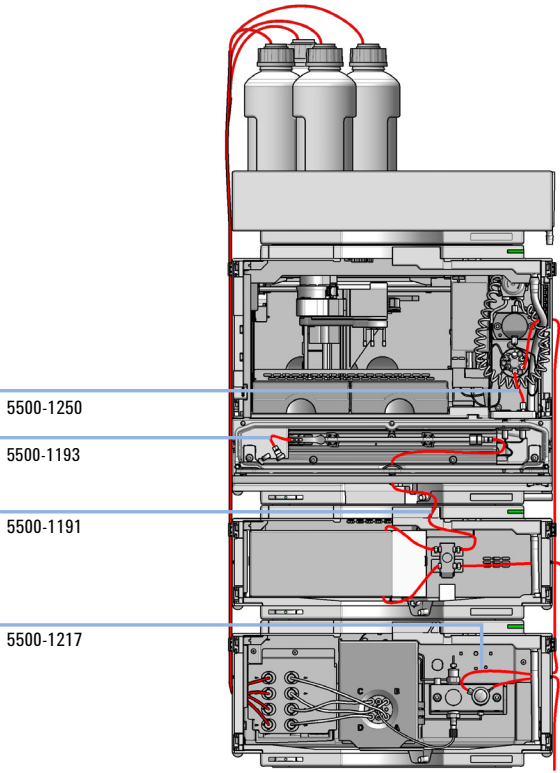
# Max Uptime Kit

1260 Infinity II Max Uptime Kit (G7111-68707):

#	p/n	Description
1	01018-22707	PTFE frits (pack of 5)
1	0890-1763	Capillary PK 0.18 mm x 1.5 m
3	5022-2184	Union, stand LD flow, no fitting
2	5041-2168	Solvent inlet filter, 20 µm pore size
1	5065-4426	Colored finger-tight PEEK fittings, 10/PK
3	5500-1193	Capillary ST 0.17 mm x 105 mm, long socket (Connection from Heat Exchanger to Column)
1	5500-1217	Capillary ST 0.17 mm x 900 mm SI/SX ps-ps (Connection from pump to ALS (with ICC))
2	5500-1246	Capillary ST 0.17 mm x 500 mm SI/SI (Connection from pump to Sampler (with MCT) or from Sampler to heat exchanger)
2	5500-1250	Capillary ST 0.17 mm x 120 mm SL/SL Long Socket (Connection from Sampler valve to ICC or Column to MCT valve)
1	5959-3887	Ship Container
1	5971-5210	Assortment Box
1	8710-1930	Plastic tubing cutter
1	8710-2391	Rheotool socket wrench ¼ inch
1	5500-1191	Capillary ST 0.12 mm x 280 mm, long socket (Connection to Detector)
6	G7167-68703	Fitting Intermediate Kit
1	G7111-90120	Technical Note 1260 Infinity II Max Uptime Kit



**Figure 1** Capillary Connections (Stack with Multisampler / MCT)



**Figure 2** Capillary Connections (Stack with Vial Sampler / ICC)



G7111-90120

Part Number:  
G7111-90120

Edition: 04/2016  
Printed in Germany

© Agilent Technologies, Inc 2016

Agilent Technologies, Inc  
Hewlett-Packard-Strasse 8  
76337 Waldbronn, Germany