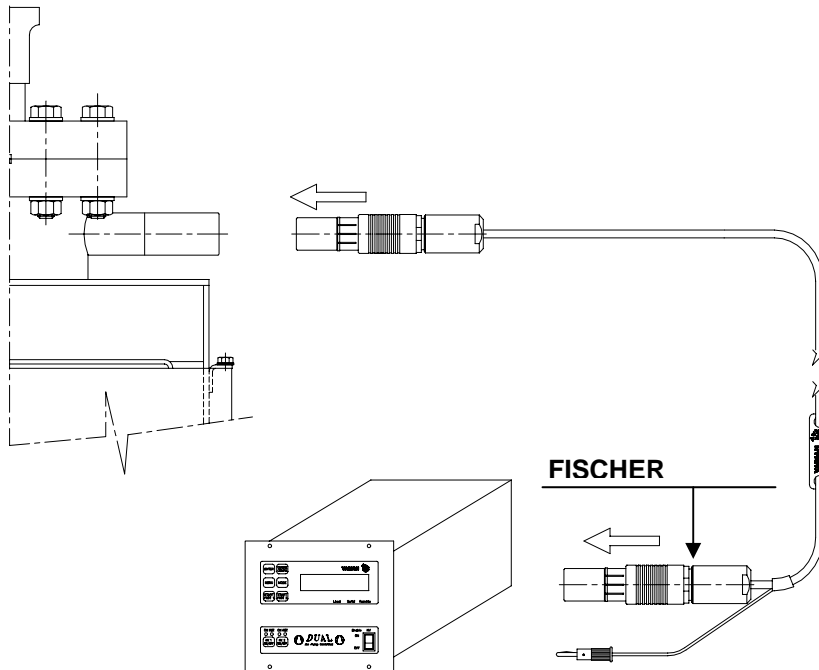




## H.V. BAKEABLE RADIATION RESISTANT CABLE

### SPECIFICATIONS :

Operating voltage	: 7,5 kV.DC
Max temperature	: -20°C / +220°C
Radiation resistance	: 10 E 9 rads
Minimum bending radius	: 60 mm
Net weight (929-0705)	: lbs 0.95 (Kg 0.43)



### DISPOSAL

#### Meaning of the "WEEE" logo found in labels

The following symbol is applied in accordance with the EC WEEE (Waste Electrical and Electronic Equipment) Directive. This symbol (**valid only in countries of the European Community**) indicates that the product it applies to must NOT be disposed of together with ordinary domestic or industrial waste but must be sent to a differentiated waste collection system. The end user is therefore invited to contact the supplier of the device, whether the Parent Company or a retailer, to initiate the collection and disposal process after checking the contractual terms and conditions of sale.

