

Multicell Transport for Agilent 8453 UV-visible Spectrophotometer

Operator's Manual



Agilent Technologies

© Copyright Agilent
Technologies 2000

All rights reserved.
Reproduction, adaption,
or translation without
prior written permission
is prohibited, except as
allowed under the
copyright laws.

Part No. G1120-90001

Edition 02/00

Printed in Germany

Warranty

The information
contained in this
document is subject to
change without notice.

*Agilent Technologies
makes no warranty of
any kind with regard to
this material,
including, but not
limited to, the implied
warranties or
merchantability and
fitness for a particular
purpose.*

Agilent Technologies
shall not be liable for
errors contained herein
or for incidental or
consequential damages
in connection with the
furnishing, performance,
or use of this material.

WARNING

For details of safety,
see Safety Information
on page 48.

Warning Symbols Used In This Book



The apparatus is marked
with this symbol when
the user should refer to
the instruction manual
in order to protect the
apparatus against
damage.

**Multicell Transport for Agilent 8453 UV-visible
Spectrophotometer**

Operator's Manual

In This Book

This handbook contains specifications of the eight-position multicell transport (order number G1120A) and describes how install this accessory in an Agilent 8453 UV-visible spectrophotometer. This handbook also includes operating guidelines for checking out and using the multicell transport. For details of how to operate the multicell transport through the Agilent ChemStation, refer to the help system.

For service personnel there is additional information on maintenance, adjustments, troubleshooting and repair. Part numbers are given for replacement and exchange parts with an exploded view for better identification of the individual part.

The eight-position multicell transport is *not* compatible with older Hewlett-Packard spectrophotometers such as the HP 8450, HP 8451 and HP 8452A.

To control the multicell transport through the Agilent ChemStation, the software must be revision A.05.xx or higher.

- Chapter 1 “Description and Specifications” gives you specifications of the multicell transport.
- Chapter 2 “Installing and Operating Your Multicell Transport” describes how to install the multicell transport in your spectrophotometer and how to do an an operational checkout.
- Chapter 3 “Diagnostics and Troubleshooting” for some hints about cleaning the multicell transport and for troubleshooting.
- Chapter 4 “Maintenance and Repair” describes simple maintenance tasks, repair procedures, and the adjustments that are necessary after you have made a repair.
- Chapter 5 “Parts and Supplies” helps you to locate parts and find out their part numbers.

Contents

1 Description and Specifications

An overview of the multicell transport accessory and its specifications 7

Description 8

Specifications 10

2 Installing and Operating Your Multicell Transport

How to install, operate, and do an operational checkout 11

Site Requirements for Your Multicell Transport 13

Unpacking Your Multicell Transport 14

Installing Your Multicell Transport 15

Installing the Stirring Module 18

Installing the Filter Kit 20

Operating Your Multicell Transport 23

Removing the Multicell Transport from the Spectrophotometer 25

To Remove the Cell Holder 26

3 Diagnostics and Troubleshooting

Descriptions of error messages, general troubleshooting hints, and how to check the electronics 27

Error Messages 28

General Troubleshooting Hints 29

Checking the Electronics 31

4 Maintenance and Repair

Simple maintenance tasks, repair procedures, and adjustments that are necessary after you have made a repair 33

Simple Maintenance 35

Replacing the Plastic Cover 36

Adjusting the Belt Tension 38

5 Parts and Supplies

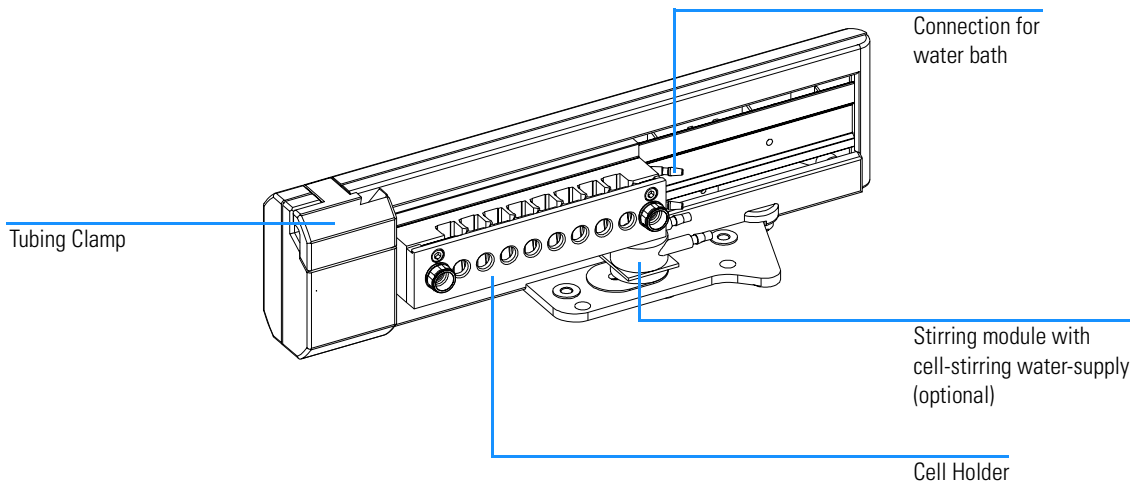
Figures and tables to help you identify part numbers of the multicell transport and related supplies 39

Description and Specifications

An overview of the multicell transport accessory and its specifications

Description**Description**

The eight-position multicell transport (order number G1120A) is an accessory for the Agilent 8453 UV-visible spectrophotometer. It is a multiple-sample holder with multiple-position capability, see Figure 1. The multicell transport cell holder holds eight cells in a rack which can be held at a constant temperature with water circulated from a thermostatic bath (provided by the user and not supplied by Agilent Technologies).

Figure 1**The Eight-position Multicell Transport**

The holder is attached to the multicell transport base which contains a stepper motor to move the designated cell into the optical path. A water-driven magnetic stirrer can be fitted under the holder in one of two positions—either under the cell in the optical path or under the cell to the left of the cell in the optical path.

The multicell transport can be controlled by any Agilent Technologies UV-visible operating software, having revision A.05.xx or higher, through the accessory interface of the spectrophotometer.

NOTE

The eight-position multicell transport can not be controlled by Agilent Technologies UV-visible operating software with revision A.02.05 or lower.

Description

Cell Stirring Module

The cell stirring module is mounted in the multicell transport base to provide magnetic-induction stirring in the cell at or adjacent to the measurement position. The cell stirring module contains a plastic-cased magnetic impeller that may be driven by pressurized water. When a magnetic stirring bar (part number 9301-1161) has been inserted in a solvent-filled, standard 1 cm cuvette the stirring bar rotates in tandem with the impeller magnet to produce solution stirring.

Cell Holder

The cell holder has a capacity for eight cells. The outside dimensions of individual cells must be 12.5×12.5 mm and the height from base of the cell to the sample area 15 mm.

During an analysis, the position of individual cells is maintained by a flat spring inside each of the cell compartments. The spring alone fixes the cell. No additional fixing mechanism is needed, see Figure 1.

Optical Filter Kit

An optional optical filter kit (part number G1120-68707) may be used with the cell holder to modify the incident light at the sample during a measurement in case of highly photosensitive samples.

Specifications

The multicell transport generally operates under the same environmental conditions as those specified in the *Reference Handbook* for the Agilent 8453 spectrophotometer. A maximum water pressure of approximately 3.5 bar (50 psi) can be supplied to the thermostatted cell holder and to the water-driven stirrer.

Table 1

Multicell Transport Performance Specifications

Item	Specification	Comment
Time to move between adjacent cell positions	< 1 second	
Position repeatability	± 0.1 mm	Linear position error in moving to a cell position within 1 hour
Step resolution	0.060 mm	
Temperature range for thermostating (cell holder only)	5–90 °C	
Temperature difference between any two cell positions	0.3 °C	With a water bath at 37 °C

Installing and Operating Your Multicell Transport

How to install, operate, and do an operational
checkout

Installing and Operating Your Multicell Transport

This chapter describes the following topics:

- “Site Requirements for Your Multicell Transport” on page 13 contains information about electrical requirements—it also gives recommendations for environmental conditions in the laboratory.
- “Unpacking Your Multicell Transport” on page 14 contains information about what you do when the packing material is damaged or the shipment is incomplete—it also gives a list of items which come with the multicell transport accessory.
- “Installing Your Multicell Transport” on page 15 gives instructions how to install the multicell transport in the spectrophotometer and how to do tubing connections to an external thermostatted water bath and the stirrer.
- “Operating Your Multicell Transport” on page 23 contains information on how you operate your multicell transport, for example, how to insert cells, what cell apertures are recommended, how often to take a blank measurement and how to get rid of air gathering in the cell.

Site Requirements for Your Multicell Transport

Power Considerations

There are no special considerations necessary because the multicell transport is driven from the power supply of the Agilent 8453 spectrophotometer and does not require separate line power. For power considerations of the spectrophotometer, see the *Installing Your UV-visible Spectroscopy System* handbook which comes with your UV-visible software or system.

Space

The multicell transport does not require additional space, because it fits into the sample area of your spectrophotometer.

Environment

Your multicell transport will operate within the same environmental conditions as your spectrophotometer.

WARNING

Do not store, ship or use your instrument under conditions where temperature fluctuations could cause condensation within the instrument. Condensation will damage the electronics. If your instrument was shipped in cold weather, leave it in its box and allow it to warm up slowly to room temperature to avoid condensation.

Unpacking Your Multicell Transport

Upon receipt of your multicell transport, inspect the shipping containers for any signs of damage. If the containers or cushioning material are damaged, save them until the contents have been checked for completeness and the instrumentation has been mechanically and electrically checked. If the shipping container or cushioning material is damaged, notify the carrier as well as Agilent Technologies. Save the shipping material for the carrier's inspection.

Unpack the multicell transport and check the contents of the shipping container against the list below. If any items are missing or obviously damaged, call Agilent Technologies.

- Multicell transport with attached cable.
- 2 m (79 inches) of 3/8-inch i.d. flexible tubing with four clamps to connect your multicell transport to a thermostatted water bath.

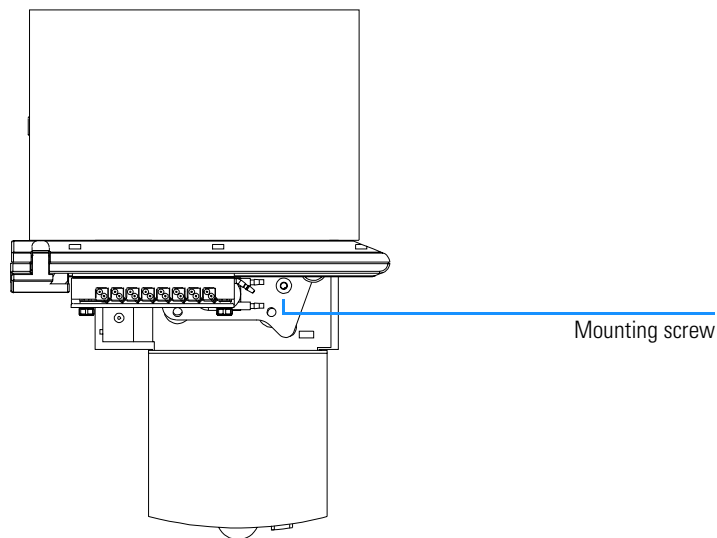
Installing Your Multicell Transport

Mounting the Multicell Transport

- 1 Place the multicell transport in the sample compartment of the spectrophotometer.

Figure 2

Top View of Multicell Transport in Spectrophotometer

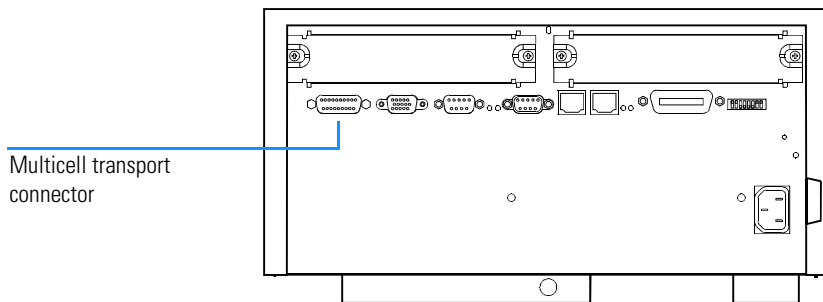


- 2 Move the cell holder of the multicell transport manually to the left-most position and tighten the screw at the right side. Move it now to the right-most position and tighten the screw at the left side.
- 3 Run the multicell transport cable through the channel underneath the instrument and plug it in the connector at the rear.

Installing Your Multicell Transport

Figure 3

Connector at Rear of Multicell Transport



- 4 Turn on the spectrophotometer at the lower-left part of the instrument, if not already running. The transport initializes, that is, the transport moves to the HOME-position.
- 5 Start your Agilent ChemStation software, if not already running.
- 6 To verify proper installation of the transport, use your operating software to move it to every possible cell position.

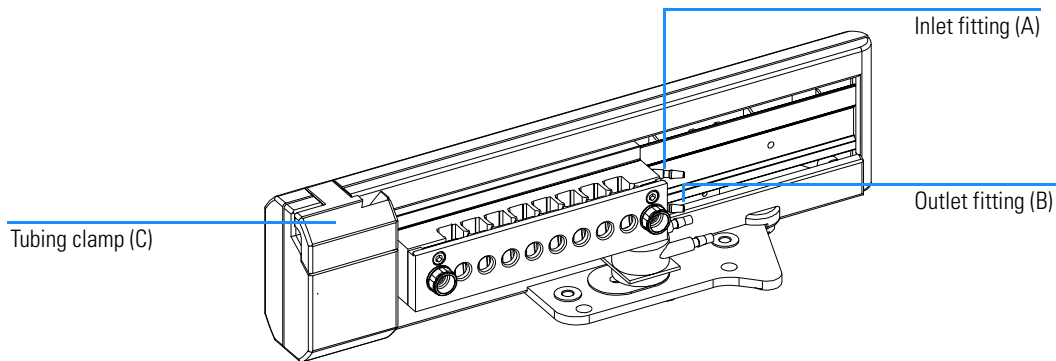
Connecting the Water Supply Tubing for the Cell Holder

The transport is shipped with 4 tubing clamps and 2 meters of 3/8 inch i.d. flexible tubing.

- 1 Cut the tubing into two pieces of desired length.
- 2 Connect the tubing to the inlet and outlet fittings. Connect the outlet of the thermostatted water bath to inlet fitting (A) on the cell holder and connect the outlet fitting (B) on the cell holder to the inlet of the thermostatted water bath.

Figure 4

Multicell Transport with Fitting Connections



- 3** Attach tubing clamps to fittings (A and B).
- 4** Before circulating water through the multicell transport, test the tubing arrangement by moving the cell holder to the HOME-position and cell position 8, using your operating software.
- 5** Do this several times to establish that the tubing neither pulls loose nor bends sharply. Start the water flow and repeat this test. Make sure that there is no restriction of the water flow.
- 6** A maximum water pressure of approximately 3.5 bar (50 psi) can be supplied to the thermostatted cell holder.

Installing the Stirring Module

The stirring module (part number G1120-60006) is an optional accessory for the multicell transport. The stirring module comprises the stirring assembly, four tubing clamps and 2 meters of 3/8 inch i.d. flexible tubing.

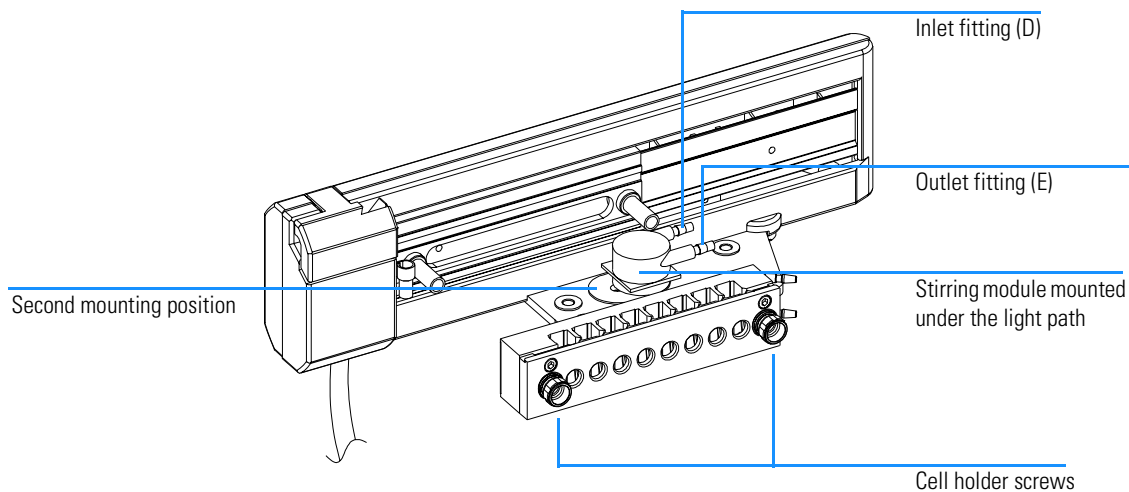
Two positions for mounting the stirring assembly are available. One under the light path, as shown in Figure 5 and one under the cell at the left side of the cell in the light path. You can turn the stirring assembly by 90 degrees about the axis perpendicular to the base plate of the multicell transport, thus bringing the fittings in three different positions.

Mounting the Stirring Assembly

- 1 Remove the cell holder from the multicell transport by unscrewing the cell holder screws.
- 2 Turn the stirring module with the fittings in the desired direction.
- 3 Insert the connector of the stirring module either in the drilling under the light path or in the drilling under the cell on the left hand side of the light path.

Figure 5

Mounting the Stirring Assembly



Installing the Stirring Module

- 4 Reinsert the cell holder and screw down the cell holder screws finger tight.

Connecting the Water Supply Tubing for the Stirring Module

- 1 Cut the tubing into two pieces of desired length.
- 2 Connect the tubing to the inlet and outlet fittings. Connect the outlet of the water supply to inlet fitting (D) on the stirring module and connect the outlet fitting (E) on the stirring module to the inlet of the water supply. see Figure 5.
- 3 Adjust the water flow to achieve the appropriate stirrer speed.

Installing the Filter Kit

Some compounds are photosensitive and may be decomposed during measurement. This effect can be reduced or eliminated by using a filter to cut off the highly energetic low-wavelength UV part of the spectrum.

The filter kit (part number G1120-68707) comprises three threaded ring assemblies which hold different filters. These filters have different cut-off wavelengths and absorb therefore varying amounts of the UV spectrum. All threaded rings are labeled with the corresponding cut-off wavelength of the filters mounted.

Remove the multicell transport from the sample area. Screw the threaded ring, which holds the filter appropriate for your application, in the circular opening located at the rear part of the multicell transport. If no threaded ring is screwed in, the complete light coming from the lamps is let through.

Figure 6 Threaded Filter Ring for Multicell Transport

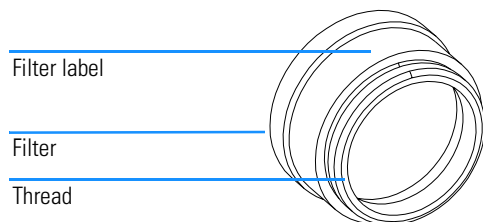


Figure 7 shows the transmission characteristics of each filter.

Figure 7

Transmission Characteristics of Filters

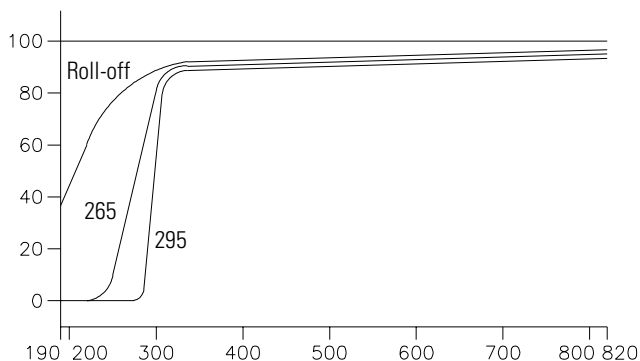


Table 2 shows the type of filters available.

Table 2

Filter Types and Labels

Label	Filter
Roll-off	UV roll-off
265	265 nm UV cut-off (at 50 %T)
295	295 nm UV cut-off (at 50 %T)

The choice of when to use a filter and which filter to use should be made only after considering all the factors that affect your measurements. If you decide that a filter is needed, you should choose a filter that transmits the wavelengths needed for analytical information and that blocks the wavelengths that contribute to sample degradation. Often, your final choice will be a compromise since sometimes even the light at the wavelengths of analytical interest can affect your sample.

If you do not need a filter for a group of measurements, you can unscrew the filter from the multicell transport. This permits full light transmission. When you will not be using the filter rings for an extended period of time you should store it in a clean plastic bag.

The optical filters of the filter rings must be kept clean. Dirty filters interfere with light transmission and lower the spectrophotometer performance. These filters may be cleaned with isopropanol and photographic lens tissues.

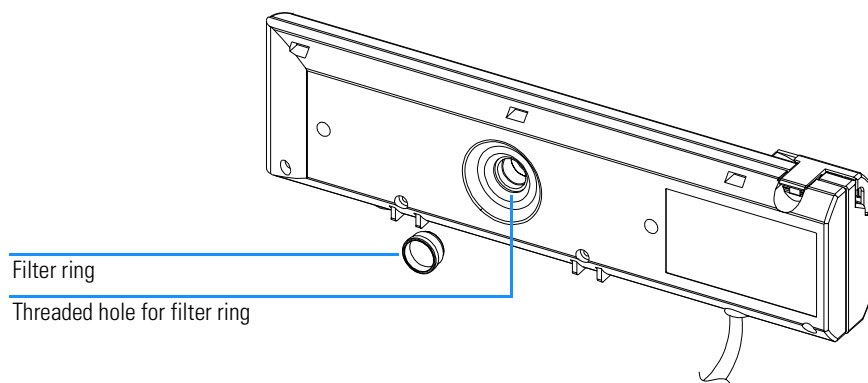
Installing the Filter Kit

To Install the Filter Ring

- 1 Remove the multicell transport from the sample compartment. See “Removing the Multicell Transport from the Spectrophotometer” on page 25.
- 2 Screw the filter ring into the threaded drilling of the rear part of the multicell transport.

Figure 8

Installing the Filter Ring on the Multicell Transport



- 3 Reinstall the multicell transport into the sample compartment. See “Installing Your Multicell Transport” on page 15.

Operating Your Multicell Transport

Controlling Your Multicell Transport

The Agilent ChemStation software for UV-visible spectroscopy offers a user interface that controls the multicell transport manually or automatically during an analysis. Refer to the help system in the software for details of how to operate your multicell transport.

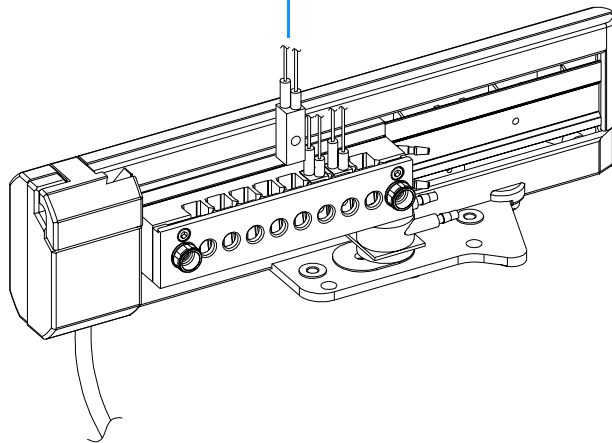
Inserting Cells in the Multicell Transport Cell Holder

The multicell transport cell holder can hold up to eight standard cells or flow cells. Insert the cell in the cell holder. The cell is held in place by a flat spring inside the cell holder. No additional clamping mechanism is needed to hold the cells in place.

Figure 9

Inserting Cuvettes in Cell Holder

Inserting a cell in position 5



All cell positions are labeled with numbers corresponding to the cells numbers shown in the graphical user interface of the Agilent ChemStation software.

Helpful Hints

When mixing two solutions or adding the stirring bars, bubbles may form inside the cell. Tap the outside of the cell lightly to free the trapped bubbles. If your flow cells or cuvettes are dirty and/or you observe that air bubbles stick on the window surfaces you may use the cuvette cleaning procedure, described in “Cleaning Cuvettes” on page 35.

Use caps on the cuvettes whenever possible.

Best accuracy can be achieved by not removing the cell from the cell holder when measuring a blank or between samples. When you must remove cells make sure that you reinsert them facing the same way as before.

Applications with cycle times greater than five minutes and that require the highest precision and accuracy should incorporate a blank prior to each new cycle to compensate for possible fluctuations of the baseline.

Cells with apertures of 2 mm or less are not recommended to be used with the transport because—depending on the aperture design—the transmitted light intensity may be decreased.

To compensate for absorbance difference between cuvettes in the multicell transport cell holder, use the Zero Cell feature in your Agilent ChemStation software.

Removing the Multicell Transport from the Spectrophotometer

Use this procedure in case you want to remove the multicell transport from your spectrophotometer, for example, for repairs or simply if you want to use other cuvette holders instead.

- 1** Turn off the water circulation, if connected.
- 2** Disconnect the tubing from the water supply.
- 3** Disconnect the multicell transport (cell holder can now be moved from left to right).
- 4** Loosen the mounting screws.
- 5** Lift the multicell transport out of the sample compartment.

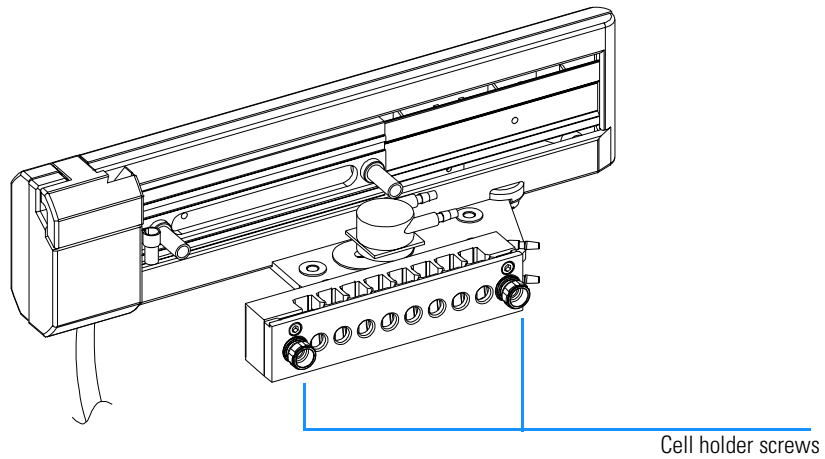
To Remove the Cell Holder

To Remove the Cell Holder

Loosen the two screws on the cell holder and remove the cell holder from the transport base.

Figure 10

Removing the Cell Holder Assembly



Diagnostics and Troubleshooting

Descriptions of error messages, general troubleshooting hints, and how to check the electronics

Error Messages

There is only one error message that can occur using the multicell transport with the Agilent ChemStation software.

Multicell Transport home position not found

Possible cause

The multicell transport mechanism has jammed.

Corrective action

Check the two screws that fix the multicell transport in the spectrophotometer are not pushed up into the path of the mechanism (for example, this is the case when putting the transport beside the instrument). Make sure the carriage can move freely along its entire path, refer to “General Troubleshooting Hints” on page 29.

Possible cause

The electronics have failed.

Corrective action

Check for defective HOME-switch, defective multicell transport cable or defective motor, see “Checking the Electronics” on page 31.

General Troubleshooting Hints

The following malfunctions may not cause error messages when they occur. When you observe any of the below symptoms, use the troubleshooting hints to isolate the defective part.

Clicking Sound When Carriage Moves

Possible cause

An obstruction is preventing the carriage from moving to the intended position.

Corrective action

Remove the obstruction and check that the mounting screws are fully seated.

Possible cause

The actual position of the carriage has been lost from electronic memory. This causes the carriage to try to move beyond its mechanical stops. This can happen if the cell holder is forced to another position manually—without using the software.

Possible cause

A malfunction of the spectrophotometer processor main (SPM) board, see *Reference Handbook* of your Agilent 8453 spectrophotometer.

Carriage Does Not Move

Possible cause

An obstruction is preventing the carriage from moving.

Corrective action

Remove the obstruction.

Possible cause

The drive mechanism has failed (for example, belt, motor or cable defective).

Corrective action

Inspect the transport base and cell holder for mechanical problems.

If you can hear the sound of the motor after sending a command to move the carriage:

- 1 Remove the cell holder (see “To Remove the Cell Holder” on page 26), open the multicell transport base (see “To Remove the Plastic Cover” on page 36) and check that the drive belt is in place.
- 2 Separate the drive belt from the belt grip and verify that you can move the carriage. Normally, less than 100 g of force is necessary to move the carriage. If the multicell transport base is inclined at a 45-degree angle, the

carriage should slide freely.

If excessive force is required to move the carriage when the belt is disconnected, either the multicell transport shafts are misaligned (or defective), or the carriage assembly is defective.

To determine if the shafts are misaligned, temporarily loosen the clamp screw on the short shaft. If the carriage can be moved freely when this shaft is loose, the original alignment problem must be corrected by empirically determining a shaft position that results in normal carriage movement. If the carriage cannot be moved freely when the shaft is loose, either the shafts or the carriage assembly is defective.

- 3 Replace the belt in the belt grip and hold the belt tensioner in place, then use the software to move the carriage back to the HOME-position. If the carriage moves normally, reassemble the transport base and cell holder and test operation again.

If the carriage does not move, and the sound of the motor cannot be heard after sending a software instruction to move the carriage, refer to “Checking the Electronics” on page 31 to troubleshoot the cable and the motor.

Multicell Transport not Accessible from Agilent ChemStation Software

Corrective action

- 1 Make sure the multicell transport cable is connected to the multicell transport connector at the rear of the spectrophotometer.
- 2 The multicell transport cable connector must have a short circuit between pins 1 and 6, see “Checking the Electronics” on page 31 to troubleshoot the cable.
- 3 The spectrophotometer processor main (SPM) board is defective.

Checking the Electronics

Disconnect the multicell transport cable from the accessory connector at the rear of the spectrophotometer. Measure the resistances in the procedure below to verify that the multicell transport base is electrically functional. For pin assignment of the multicell transport cable connector, see Table 3.

- ❑ Check the stepper motor coils.

The nominal coil resistance is 20 ohms. Measure the resistance between each of the following connector pins at the multicell transport cable:

4 and 11

2 and 13

If any resistance values are not in this range:

- 1 Check the multicell transport cable connections at the motor harness.
- 2 Check if the motor or the multicell transport cable is defective.

- ❑ Check the HOME-switch.

When the carriage is not in contact with the HOME-switch, the connection between pin 7 and pin 8 (connector pins of the multicell transport cable) and the connection between pin 7 and pin 9 are open.

When the carriage is moved to the extreme left of the multicell transport, the HOME-switch is contacted and conditions at these pins are reversed.

If the multicell transport base does not operate this way, the multicell transport cable, motor harness or switch may be defective. Isolate the problem by measuring resistance at the switch.

- ❑ Check the status line.

Pin 1 is connected to pin 6 (connector pins of the multicell transport cable). This way the spectrophotometer checks that the cable is connected. If the resistance between these pins is not zero ohms an appropriate error message is displayed when multicell transport is moved from the software.

If the resistance is not correct, the cable is defective.

Table 3

Multicell Transport Cable Connections

**Multicell Transport
Cable Connector****Function**

1	Jumper to 6
2	Motor connection
3	Not used
4	Motor connection
5	Not used
6	Jumper to 1
7	Switch C
8	Switch No
9	Switch No
10	Not used
11	Motor connection
12	Not used
13	Motor connection
14	Not used
15	Not used

Maintenance and Repair

Simple maintenance tasks, repair procedures,
and adjustments that are necessary after you
have made a repair

Maintenance and Repair

This chapter describes:

- simple maintenance, for example, how to clean the multicell transport and your cuvettes,
- how to remove the multicell transport from the sample area of your spectrophotometer,
- how to repair the multicell transport—only those replacement procedures are given which require a specific knowledge, and
- adjustments necessary after a repair.

Simple Maintenance

Cleaning the Multicell Transport

The multicell transport should be kept clean. Cleaning should be done with a soft cloth slightly dampened with water or a solution of water and a mild detergent. Do not use an excessively damp cloth so that liquid can drip into the instruments.

WARNING

Do not let liquid drip into the instrument. It could cause shock hazard and it could damage the instrument.

Cleaning Cuvettes

The oils in fingerprints are significant absorbers in the UV region and, if left on optical surfaces, can cause erroneous results. Wipe off all fingerprints and contaminants before using a sample cell. Use only high quality lens tissues (part number 9300-0761). Lens tissues for glasses or other uses often contain detergents or lubricants which can affect your measurements. Avoid cleaning the faces of your cell between blank and sample measurements.

If your cuvettes are dirty and/or you observe that air bubbles stick on the quartz window, you may use the following cleaning procedure with the cell cleaning fluid (part number 5062-8529).

- 1** Prepare a 2 % solution of the cell cleaning fluid in distilled water.
- 2** Transfer the solution into your cuvettes and let them stand for a while or put the cuvettes in an ultrasonic bath containing the solution of cell cleaning fluid.
- 3** Rinse the cuvettes three or four times with water before using them again for measurements with the spectrophotometer.

Replacing the Plastic Cover

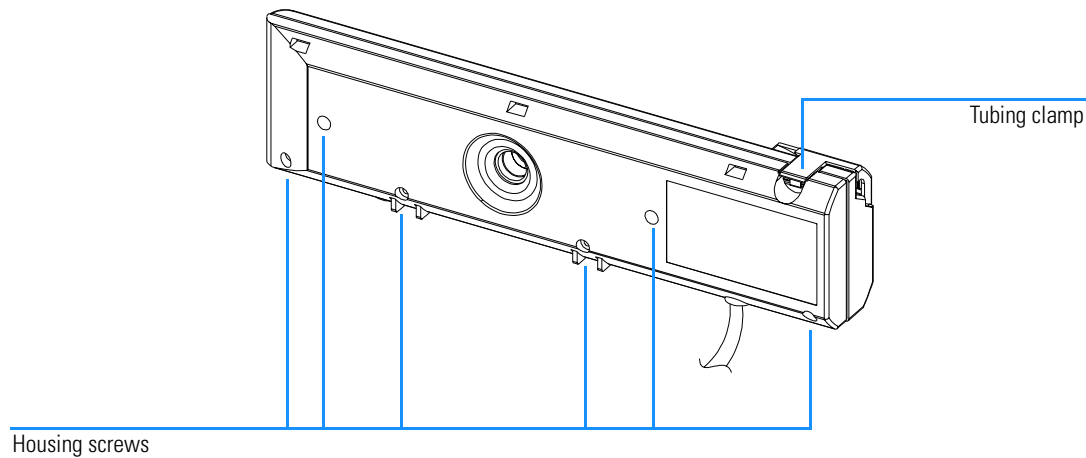
If the plastic cover is defective, it should be replaced.

To Remove the Plastic Cover

- 1 Disconnect the multicell transport.
- 2 Remove the multicell transport from the sample compartment. See “Removing the Multicell Transport from the Spectrophotometer” on page 25.
- 3 Remove the cell holder from the multicell transport, see “To Remove the Cell Holder” on page 26.
- 4 Unscrew the 6 housing screws located at the rear side of the cell holder.

Figure 11

Removing the Plastic Covers

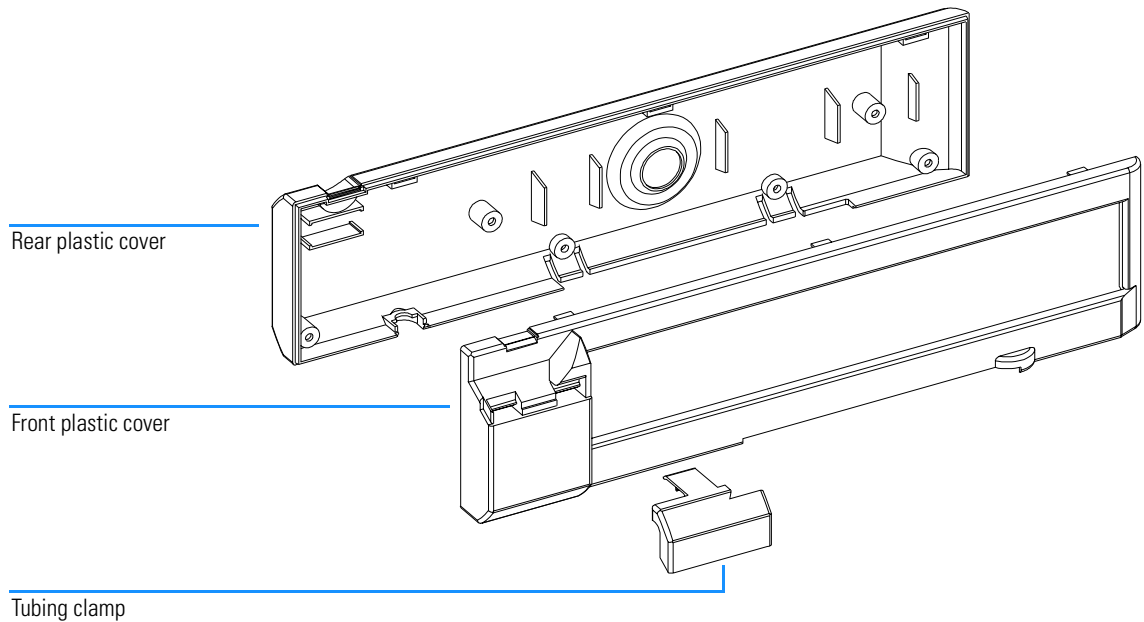


- 5 Open the tubing clamp and take apart the two plastic covers. See Figure 12.

Figure 12

Plastic Covers

Maintenance and Repair
Replacing the Plastic Cover



To Reassemble the Plastic Cover

- 1** First put the front plastic cover on the multicell transport drive. Clip together the rear and front plastic cover and close the tubing clamp.
- 2** Fix the plastic covers to the multicell transport drive by screwing down the six housing screws.

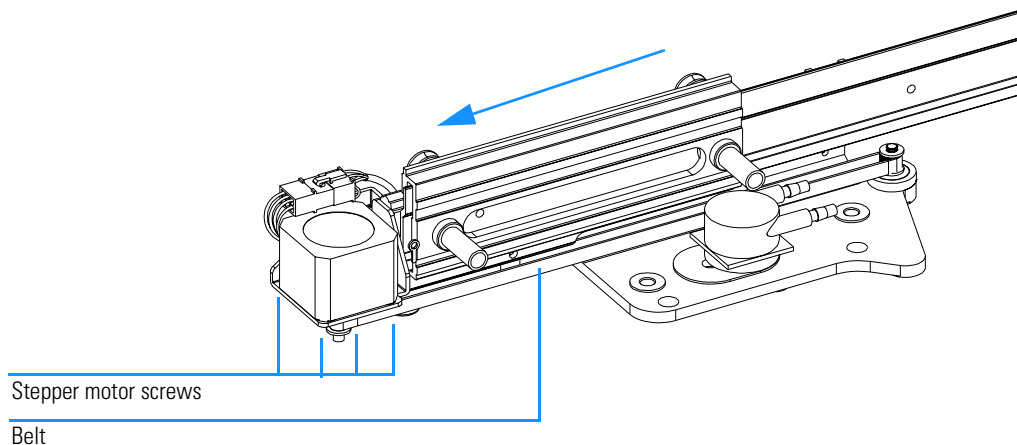
Adjusting the Belt Tension

If the belt (part number 1500-1049) is losing tension, it must be readjusted.

- 1 Remove the multicell transport as described under “Removing the Multicell Transport from the Spectrophotometer” on page 25.
- 2 Remove the cell holder as described under “To Remove the Cell Holder” on page 26.
- 3 Remove the plastic covers as described under “To Remove the Plastic Cover” on page 36.
- 4 Loosen the four mounting screws of the stepper motor and move the stepper motor according to the direction indicated by the arrow in Figure 13.

Figure 13

Adjusting the Belt Tension



NOTE

You do not have to unscrew the mounting screws of the stepper motor to tighten the belt.

- 5 Tighten the four mounting screws of the stepper motor and check the belt tension by pressing the belt to the side using light force of your fingers. The belt should not have more than 2 mm slack.
- 6 Replace the plastic covers and the cell holder.

Parts and Supplies

Figures and tables to help you identify part numbers of the multicell transport and related supplies

Figure 14

Cell Holder Parts

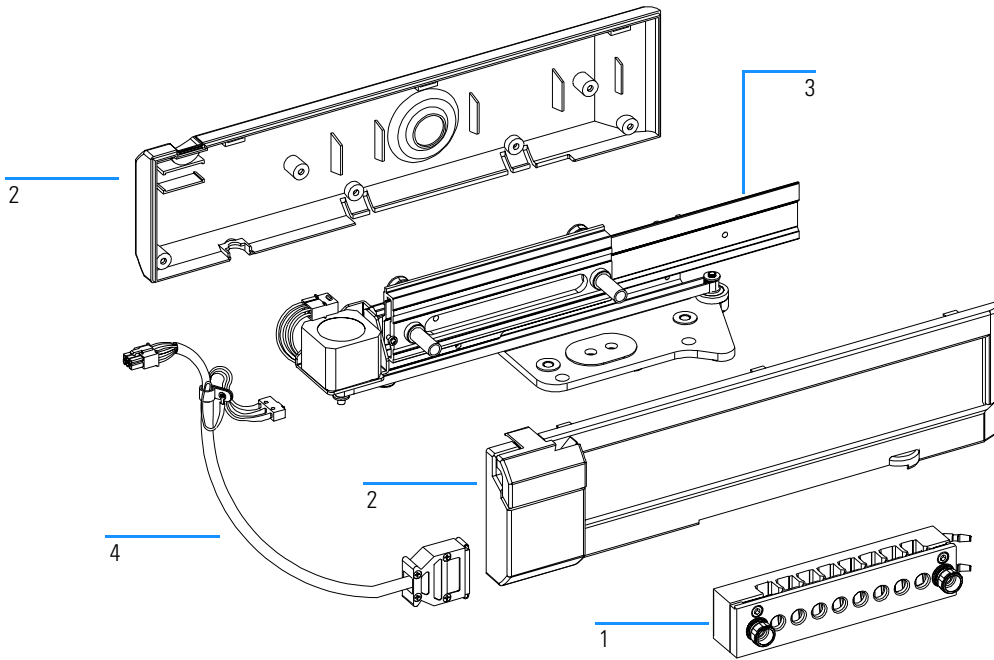


Table 4

Multicell Transport Parts Listing

Item *	Description	Part Number	
1	Cell holder	G1120-62301	
2	Plastic cover kit	G1120-68708	
3	Linear drive kit	G1120-69706	<i>Exchange part only</i>
4	Cable assembly	G1120-81600	

* Item numbers refer to Figure 14

Table 5

Multicell Transport Accessories and Parts

Description	Part Number
Stirring module kit	G1120-60006
Filter assembly	G1120-68707
Cell cleaning fluid	5062-8529
Tubing kit, 2 m of tubing and four clamps	G1120-68710
Stirring bar	9301-1161
Multicell transport adjustment tool	89075-23800
Cell holder	G1120-62301

Parts and Supplies

Numerics

2 mm apertures, 24

A

absorbance difference between
cuvettes, 24
accessories, 41
air bubbles, 24, 35
apertures, 24

B

blank measurement, 24
bubble formation, 24

C

cable of multicell transport, 31
capping cuvettes, 24
carriage movement, 29
cell apertures, 24
cell cleaning fluid, 35
cell holder, 9
cell stirring module, 9
cell-cleaning fluid, 41
cleaning
cuvettes, 24
filters, 21
the multicell transport, 35
cleaning fluid, 35, 41
coil resistance, 31
condensation, 13
connector pins, 31
cushioning material, 14
cuvette caps, 24
cuvette cleaning procedure, 24

D

damage
to contents of shipping container, 14
to cushioning material, 14
to shipping containers, 14
differences in absorbance between
cuvettes, 24
dirty cuvettes, 35
drive belt, 29

E

environmental conditions, 10, 13
error messages, 28

errors, 28

F

filter assembly, 20
filter kit, 9
filter ring, 20
filter wheel, 20
filters, 20
cleaning, 21
fingerprints, 35
fittings, 16

G

gear belt, 38

H

HOME-position, 16
HOME-switch, 31

I

inlet fittings, 16
installing filter assembly, 20
installing filter wheel assembly, 18

L

lens tissue, 35
line power switch of
spectrophotometer, 15

M

magnetic impeller, 9
magnetic stirrer, 8
magnetic stirring bar, 9
malfunctions, 29
mechanical problems, 29
messages, 28
motor harness, 31
mounting screws, 15
mounting the multicell transport, 15
movement of carriage, 29
multicell transport
cable, 31

N

nominal coil resistance, 31

O

obstruction to carriage movement, 29

operating conditions, 10, 13
optical filter kit, 9
optical filters, cleaning, 21
outlet fittings, 16

P

part numbers, 40
physical obstruction to carriage
movement, 29
plastic cover, 36
position repeatability, 10

R

resistance between each connector
pin, 31

S

shipping container, 14
specifications, 10
step resolution, 10
stirrer, 8
stirring module, 9
stretched gear belt, 38

T

temperature difference between any
two cell positions, 10
temperature fluctuations, 13
temperature range, 10
thermostatted water bath, 8, 16
threaded filter ring, 20
time to move between adjacent cell
positions, 10
transmission characteristics of filters,
20
trapped bubbles, 24
tubing kit, 41

W

water bath, 8
water pressure, 10, 17
water-driven magnetic stirrer, 8

Warranty Statement

All Chemical Analysis Products

Agilent Technologies (Agilent) warrants its chemical analysis products against defects in materials and workmanship. For details of the warranty period in your country, call Agilent. During the warranty period, Agilent will, at its option, repair or replace products which prove to be defective. Products that are installed by Agilent are warranted from the installation date, all others from the ship date.

If buyer schedules or delays installation more than 30 days after delivery, then warranty period starts on 31st day from date of shipment (60 and 61 days, respectively for products shipped internationally).

Agilent warrants that its software and firmware designed by Agilent for use with a CPU will execute its programming instructions when properly installed on that CPU. Agilent does not warrant that the operation of the CPU, or software, or firmware will be uninterrupted or error-free.

Limitation of Warranty

Onsite warranty services are provided at the initial installation point. Installation and onsite warranty services are available only in Agilent service travel areas, and only in the country of initial purchase unless buyer pays Agilent international prices for the product and services. Warranties requiring return to Agilent are not limited to the country of purchase.

For installation and warranty services outside of Agilent's service travel area, Agilent will provide a quotation for the applicable additional services.

If products eligible for installation and onsite warranty services are moved from the initial installation point, the warranty will remain in effect only if the customer purchases additional inspection or installation services, at the new site.

The foregoing warranty shall not apply to defects resulting from:

- 1 improper or inadequate maintenance, adjustment, calibration, or operation by buyer,
- 2 buyer-supplied software, hardware, interfacing or consumables,
- 3 unauthorized modification or misuse,

Warranty Statement

- 4 operation outside of the environmental and electrical specifications for the product,
- 5 improper site preparation and maintenance, or
- 6 customer induced contamination or leaks.

THE WARRANTY SET FORTH IS EXCLUSIVE AND NO OTHER WARRANTY, WHETHER WRITTEN OR ORAL, IS EXPRESSED OR IMPLIED. AGILENT SPECIFICALLY DISCLAIMS THE IMPLIED WARRANTIES OF MERCHANTABILITY AND FITNESS FOR A PARTICULAR PURPOSE.

Limitation of Remedies and Liability

THE REMEDIES PROVIDED HEREIN ARE BUYER'S SOLE AND EXCLUSIVE REMEDIES. IN NO EVENT SHALL AGILENT BE LIABLE FOR DIRECT, INDIRECT, SPECIAL, INCIDENTAL, OR CONSEQUENTIAL DAMAGES (INCLUDING LOSS OF PROFITS) WHETHER BASED ON CONTRACT, TORT OR ANY OTHER LEGAL THEORY.

Responsibilities of the Customer

The customer shall provide:

- 1 access to the products during the specified periods of coverage to perform maintenance,
- 2 adequate working space around the products for servicing by Agilent personnel,
- 3 access to and use of all information and facilities determined necessary by Agilent to service and/or maintain the products (insofar as these items may contain proprietary or classified information, the customer shall assume full responsibility for safeguarding and protection from wrongful use),
- 4 routine operator maintenance and cleaning as specified in the Agilent operating and service manuals, and
- 5 consumables such as paper, disks, magnetic tapes, ribbons, inks, pens, gases, solvents, columns, syringes, lamps, septa, needles, filters, frits, fuses, seals, detector flow cell windows, and so on.

Responsibilities of Agilent Technologies

Agilent Technologies will provide warranty services as described in the following table.

Table 6

Warranty Services

Services During Warranty *	Warranty Period **	Type
Agilent CE instruments, Agilent 1100 Series LC modules, Agilent 8453 UV-visible spectrophotometers	1 Year	Onsite
CE, LC, UV-visible supplies and accessories	90 Days	Onsite
Columns and consumables ***	90 Days	Return to Agilent
Gas discharge and tungsten lamps	30 Days	Return to Agilent
Repairs performed onsite by Agilent ****	90 Days	Onsite

* This warranty may be modified in accordance with the law of your country. Please consult your local Agilent office for the period of the warranty, for shipping instructions and for the applicable wording of the local warranty.

** Warranty services are included as specified for chemical-analysis products and options purchased concurrently provided customer is located within a Agilent-defined travel area. Agilent warranty service provides for 8 a.m. to 5 p.m. onsite coverage Monday through Friday, exclusive of Agilent holidays.

*** Columns and consumables are warranted to be free from defects for a period of 90 days after shipment and will be replaced on a return-to-Agilent basis if unused.

**** Agilent repair warranty is limited to only the item repaired or replaced.

Safety Information

The following general safety precautions must be observed during all phases of operation, service, and repair of this instrument. Failure to comply with these precautions or with specific warnings elsewhere in this manual violates safety standards of design, manufacture, and intended use of the instrument. Agilent Technologies assumes no liability for the customer's failure to comply with these requirements.

General

This is a Safety Class I instrument (provided with terminal for protective earthing) and has been manufactured and tested according to international safety standards.

Operation

Before applying power, comply with the installation section. Additionally the following must be observed.

Do not remove instrument covers when operating. Before the instrument is switched on, all protective earth terminals, extension cords, auto-transformers, and devices connected to it must be connected to a protective earth via a ground socket. Any interruption of the protective earth grounding will cause a potential shock hazard that could result in serious personal injury. Whenever it is likely that the protection has been impaired, the instrument must be made inoperative and be secured against any intended operation.

Make sure that only fuses with the required rated current and of the specified type (normal blow, time delay, and so on) are used for replacement. The use of repaired fuses and the short-circuiting of fuseholders must be avoided.

Some adjustments described in the manual, are made with power supplied to the instrument, and protective covers removed. Energy available at many points may, if contacted, result in personal injury.

Any adjustment, maintenance, and repair of the opened instrument under voltage should be avoided as much as possible. When inevitable, this should be carried out by a skilled person who is aware of the hazard involved. Do not attempt internal service or adjustment unless another person, capable of

Safety Information

rendering first aid and resuscitation, is present. Do not replace components with power cable connected.

Do not operate the instrument in the presence of flammable gases or fumes. Operation of any electrical instrument in such an environment constitutes a definite safety hazard.





Do not install substitute parts or make any unauthorized modification to the instrument.

Capacitors inside the instrument may still be charged, even though the instrument has been disconnected from its source of supply. Dangerous voltages, capable of causing serious personal injury, are present in this instrument. Use extreme caution when handling, testing and adjusting.

Safety Symbols

Table 7

Safety Symbols used on Instruments and in Manuals

Symbol	Description
	The apparatus is marked with this symbol when the user should refer to the instruction manual in order to protect the apparatus against damage.
	Indicates dangerous voltages.
	Indicates a protected ground terminal.
	Eye damage may result from directly viewing light produced by deuterium lamps used in detectors and spectrophotometers. Always turn off the deuterium lamp before opening the lamp door on the instrument.

WARNING

A warning alerts you to situations that could cause physical injury or damage to the equipment. Do not proceed beyond a warning until you have fully understood and met the indicated conditions.

CAUTION

A caution alerts you to situations that could cause a possible loss of data. Do not proceed beyond a caution until you have fully understood and met the indicated conditions.

Solvent Information

Observe the following recommendations on the use of solvents.

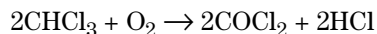
Flow Cells

Avoid the use of alkaline solutions (pH > 9.5) which can attack quartz and thus impair the optical properties of flow cells.

Solvents

Always filter solvents, small particles can permanently block capillaries. Avoid the use of the following steel-corrosive solvents:

- Solutions of alkali halides and their respective acids (for example, lithium iodide, potassium chloride, and so on).
- High concentrations of inorganic acids like nitric acid, sulfuric acid especially at higher temperatures (replace, if your analysis method allows, by phosphoric acid or phosphate buffer which are less corrosive against stainless steel).
- Halogenated solvents or mixtures which form radicals and/or acids, for example:



This reaction, in which stainless steel probably acts as a catalyst, occurs quickly with dried chloroform if the drying process removes the stabilizing alcohol.

- Analysis-grade ethers, which can contain peroxides (for example, THF, dioxane, di-isopropylether) such ethers should be filtered through dry aluminium oxide which adsorbs the peroxides.
- Solutions of organic acids (acetic acid, formic acid, and so on) in organic solvents. For example, a 1-% solution of acetic acid in methanol will attack steel.
- Solutions containing strong complexing agents (for example, EDTA, ethylene diamine tetra-acetic acid).
- Mixtures of carbon tetrachloride with 2-propanol or THF.

Agilent Technologies on Internet

For the latest information on products and services visit our worldwide web site on the Internet at:

<http://www.agilent.com/go/chem>



Agilent Technologies

Innovating the HP Way

In This Book

This handbook contains specifications of the eight-position multicell transport (order number G1120A) and describes how to install this accessory in an Agilent 8453 UV-visible spectrophotometer. This handbook also includes operating guidelines for checking out and using the multicell transport. For details of how to operate the multicell transport through the Agilent ChemStation, refer to online help.

For service personnel there is additional information on maintenance, adjustments, troubleshooting and repair. Part numbers are given for replacement and exchange parts with an exploded view for better identification of the individual part.



G1120-90001