

Delayed Vent Device

Model

X3505-68000

X3505-68001

Manuale di Istruzioni User Manual

87-901-035-01 (B)

07/ 2015



Agilent Technologies

Notices

© Agilent Technologies, Inc. 2015

No part of this manual may be reproduced in any form or by any means (including electronic storage and retrieval or translation into a foreign language) without prior agreement and written consent from Agilent Technologies, Inc. as governed by United States and international copyright laws.

Manual Part Number

Publication Number: 87-901-035-01 (B)

Edition

Edition 07/2015

Printed in ITALY

Agilent Technologies Italia S.p.A.

Vacuum Products Division

Via F.lli Varian, 54

10040 Leini (TO)

ITALY

Warranty

The material contained in this document is provided “as is,” and is subject to being changed, without notice, in future editions. Further, to the maximum extent permitted by applicable law, Agilent disclaims all warranties, either express or implied, with regard to this manual and any information contained herein, including but not limited to the implied warranties of merchantability and fitness for a particular purpose. Agilent shall not be liable for errors or for incidental or consequential damages in connection with the furnishing, use, or performance of this document or of any information contained herein. Should Agilent and the user have a separate written agreement with warranty terms covering the material in this document that conflict with these terms, the warranty terms in the separate agreement shall control.

Technology Licenses

The hardware and/or software described in this document are furnished under a license and may be used or copied only in accordance with the terms of such license.

Restricted Rights Legend

If software is for use in the performance of a U.S. Government prime contract or subcontract, Software is delivered and licensed as “Commercial computer software” as defined in DFAR 252.227-7014 (June 1995), or as a “commercial item” as defined in FAR 2.101(a) or as “Restricted computer software” as defined in FAR 52.227-19 (June 1987) or any equivalent agency regulation or

contract clause. Use, duplication or disclosure of Software is subject to Agilent Technologies’ standard commercial license terms, and non-DOD Departments and Agencies of the U.S. Government will receive no greater than Restricted Rights as defined in FAR 52.227-19(c)(1-2) (June 1987). U.S. Government users will receive no greater than Limited Rights as defined in FAR 52.227-14 (June 1987) or DFAR 252.227-7015 (b)(2) (November 1995), as applicable in any technical data.

Trademarks

Windows and MS Windows are U.S. registered trademarks of Microsoft Corporation.

Safety Notices

CAUTION

A **CAUTION** notice denotes a hazard. It calls attention to an operating procedure, practice, or the like that, if not correctly performed or adhered to, could result in damage to the product or loss of important data. Do not proceed beyond a **CAUTION** notice until the indicated conditions are fully understood and met.

WARNING

A **WARNING** notice denotes a hazard. It calls attention to an operating procedure, practice, or the like that, if not correctly performed or adhered to, could result in personal injury or death. Do not proceed beyond a **WARNING** notice until the indicated conditions are fully understood and met.

Delayed Vent Device



Delayed Vent Device

Contents

1 Procedura per l'installazione 7

Generalità 7

Caratteristiche tecniche 8

Installazione 11

Smaltimento 14

2 Installation procedure

Overview 16

Technical Characteristics 17

Installation 20

Disposal 23



1

Procedura per l'installazione

Generalità	7
Caratteristiche tecniche	8
Unità di controllo	8
Cavi di connessione	9
Vent valve	10
Installazione	11
Smaltimento	13

Traduzione delle istruzioni originali



Generalità

Questa apparecchiatura è destinata ad uso professionale. L'utilizzatore deve leggere attentamente il presente manuale di istruzioni ed ogni altra informazione addizionale fornita dalla Agilent prima dell'utilizzo dell'apparecchiatura. La Agilent si ritiene sollevata da eventuali responsabilità dovute all'inosservanza totale o parziale delle istruzioni, ad uso improprio da parte di personale non addestrato, ad interventi non autorizzati o ad uso contrario alle normative nazionali specifiche.

Nei paragrafi seguenti sono riportate tutte le informazioni necessarie a garantire la sicurezza dell'operatore durante l'utilizzo dell'apparecchiatura.

Il Turbo "Vent Device" comprende un'unità di controllo ed una valvola, che realizzano un sistema completo per la ventilazione automatica della pompa Turbo nella fase di spegnimento o nel caso si verifichi una caduta di tensione. La valvola in condizioni di riposo (senza alimentazione) è normalmente aperta. L'attivazione avviene in modo elettromagnetico, mentre il fissaggio (Viton-sealed) viene realizzato tramite un adattatore di tipo M8 o M5 con relativo O-ring sul foro per alto vuoto della pompa. L'aria di ingresso nella valvola, viene filtrata tramite un opportuno filtro o un adattatore da 1/4" presente sull'ingresso aria della valvola stessa.

L'unità di controllo viene attivata con un ritardo, che dipende dalla tensione di alimentazione, per evitare ventilazioni inopportune durante una caduta di tensione temporanea e per permettere la chiusura delle valvole di sistema prima della ventilazione.

Caratteristiche tecniche

Unità di controllo

Tensione di ingresso	100 ÷ 240 Vac ($\pm 10\%$)
- frequenza	da 50 a 60 Hz
- potenza	50 VA
Tensione di uscita	24 Vcc $\pm 5\%$
- potenza (max)	11 W
Ritardo	circa 2 secondi (120Vac) – circa 8 secondi (230Vac) [vedi figura 1]
Funzionamento	da 0 a 40 °C 0 – 90 %
Immagazzinamento	da -20 a 50 °C 0 – 95 %

Ritardo

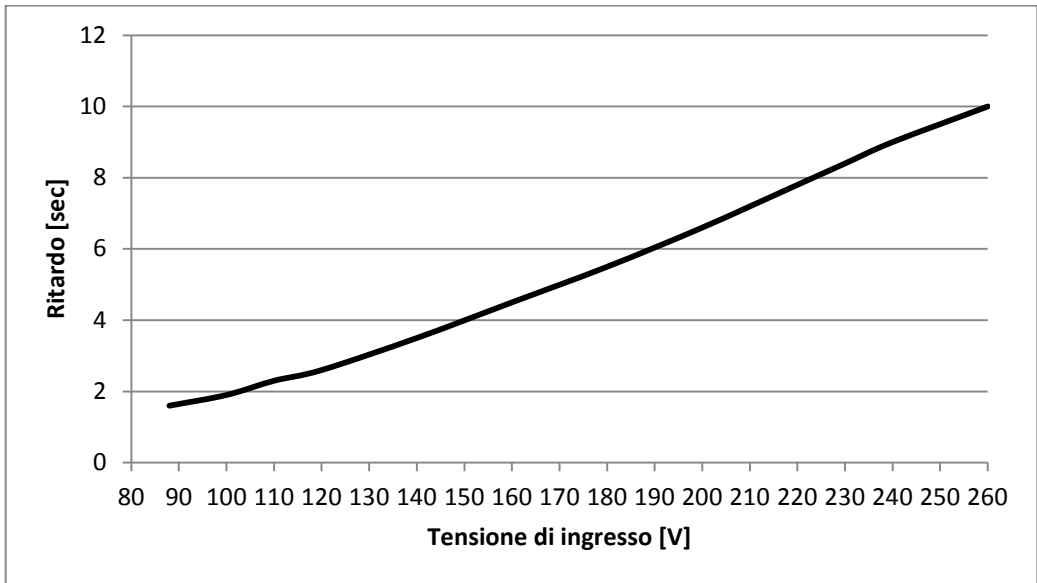


Figura 1 Ritardo valvola

Cavi di connessione

Uscita alla valvola	lungo 5 metri, 3 fili
Peso (con cavo):	0,5 Kg (1,1 lbs)

Vent valve

Stato valvola	Normalmente aperta (chiusa quando viene alimentata)
Connessione di alto vuoto	Adattatore M8/M5
Ingresso aria	Filtro bronzo sinterizzato o un adattatore da 1/4"
Dimensione foro	1,2 mm (0,05") [X3505-68000] 0,5 mm (0,02") [X3505-68001]
Gamma di pressioni	da 10^{-6} mbar a 1 bar (da 10^{-7} Torr a atm)
Leak rate	$\leq 1 \times 10^{-7}$ mbar l/s
Vita	1 milione di cicli
Tensione di ingresso	24 Vcc +10% -5%
- potenza	2 W
Temperatura di bakeout	60 °C
Peso (senza cavo)	0,1 Kg (0,24 lb)

La figura seguente riporta le dimensioni di ingombro del Turbo Vent Device.

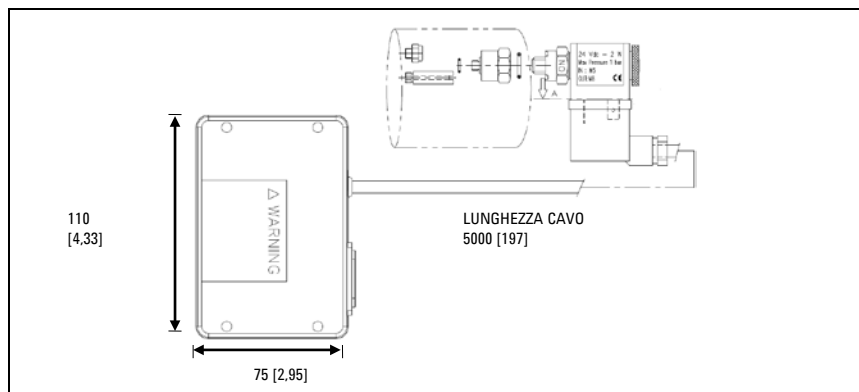


Figura 2 Dimensioni in mm [pollici]

Installazione

In figura sono riportati i vari componenti presenti nel Kit Turbo Vent Device. Tali componenti sono forniti disassemblati; sarà quindi cura del cliente provvedere all'assemblaggio del Kit.

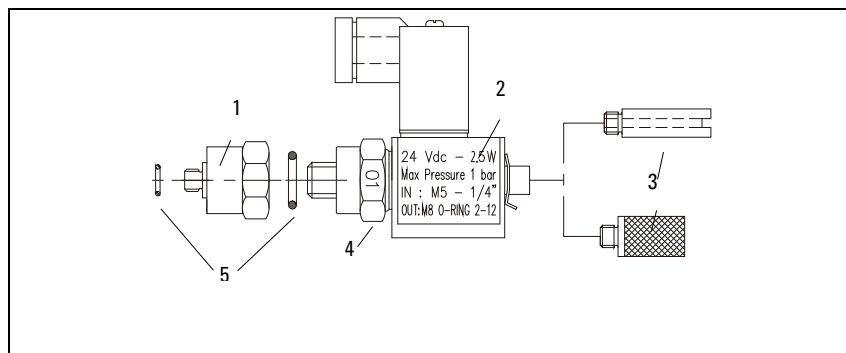


Figura 3 Kit Turbo Vent Valve

1	Adattatore M8 - M5
2	Valvola
3	Filtro/Adattatore da 1/4"
4	Dado di fissaggio bobina
5	O-ring

Il kit contiene due adattatori femmina/maschio, uno M8 ed uno M5. Sarà cura del cliente utilizzare quello specifico per le proprie esigenze.

ATTENZIONE! Durante la fase di assemblaggio del kit, fare attenzione a non svitare la ghiera ed il dado di fissaggio della bobina interna alla valvola..

1 Procedura per l'installazione Installazione

Completato l'assemblaggio, procedere con l'installazione sulla pompa.

Per pompe dotate di tappo a vite, dopo aver rimosso il tappo stesso, utilizzare l'adattatore appropriato per fissare la valvola alla pompa.

La seguente figura riporta un'installazione tipica su una pompa dotata di tappo.

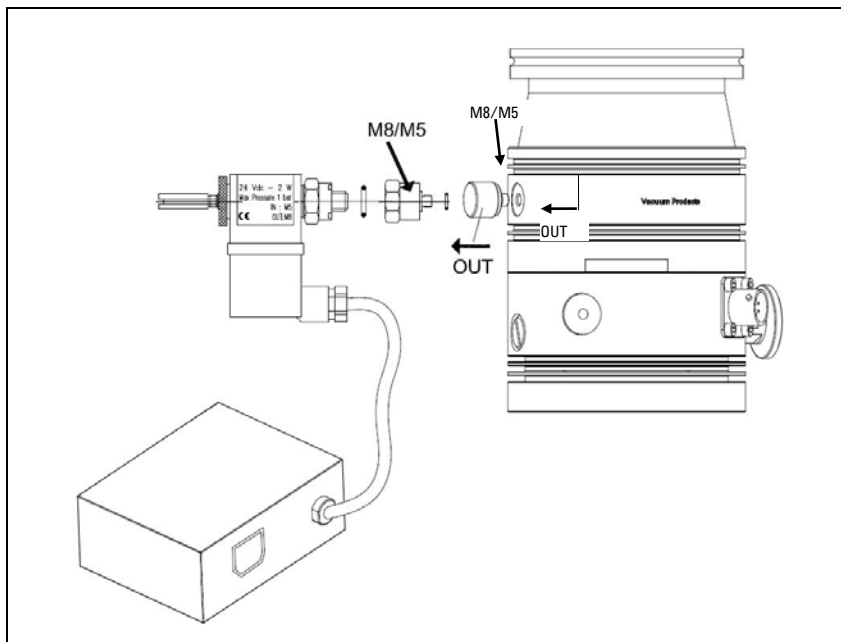


Figura 4 Installazione su pompa con tappo a vite

Dopo aver completato l'installazione meccanica, collegare il cavo di alimentazione dell'unità di controllo del Turbo vent device.

Per l'installazione su pompe non dotate di tappo a vite, occorre utilizzare il sistema di flange in dotazione alla pompa, come riportato in figura.

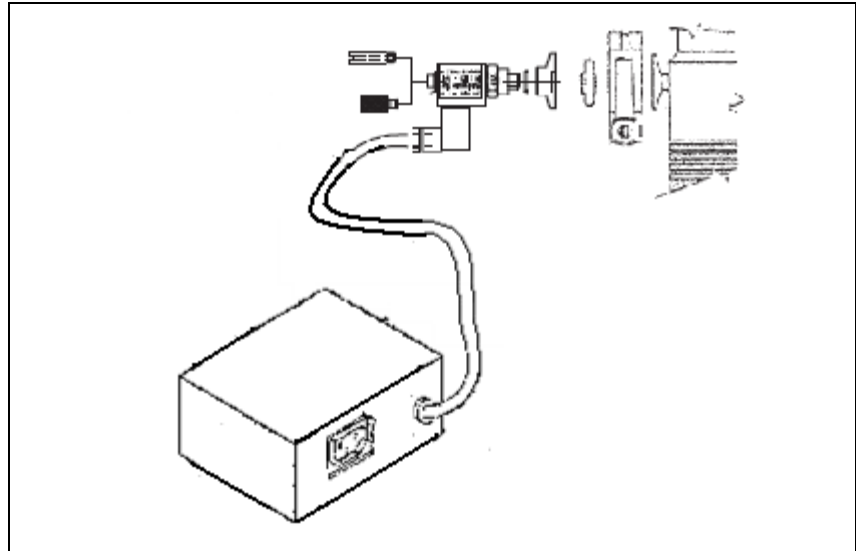


Figura 5 Installazione su pompa senza tappo a vite

AVVERTENZA!



Il dispositivo è progettato solo per uso interno e deve essere alimentato mediante un cavo di alimentazione a tre fili (vedere tabella delle parti ordinabili) con una spina di tipo approvato a livello internazionale ai fini della sicurezza dell'utente. Utilizzare sempre questo cavo di alimentazione ed inserire la spina in una presa con un adeguato collegamento di terra onde evitare scariche elettriche e per rispettare le specifiche CE. All'interno del dispositivo si sviluppano alte tensioni che possono recare gravi danni o la morte. Prima di eseguire qualsiasi operazione di installazione o manutenzione del dispositivo scollegarlo dalla presa di alimentazione.

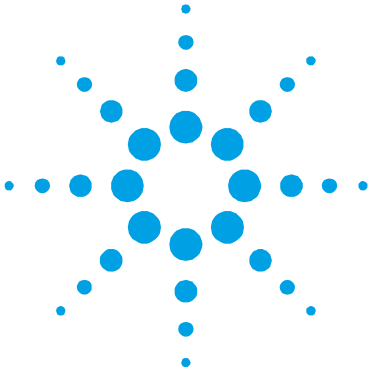
Smaltimento

Significato del logo "WEEE" presente sulle etichette. Il simbolo qui sotto riportato è applicato in ottemperanza alla direttiva CE denominata "WEEE". Questo simbolo (**valido solo per i paesi della Comunità Europea**) indica che il prodotto sul quale è applicato, NON deve essere smaltito insieme ai comuni rifiuti domestici o industriali, ma deve essere avviato ad un sistema di raccolta differenziata. Si invita pertanto l'utente finale a contattare il fornitore del dispositivo, sia esso la casa madre o un rivenditore, per avviare il processo di raccolta e smaltimento, dopo opportuna verifica dei termini e condizioni contrattuali di vendita.



Per maggiori informazioni riferirsi a:

<http://www.agilent.com/environment/product/index.shtml>



2 Installation procedure

Overview	16
Technical characteristics	17
Control unit	17
Connection Cables	18
Vent Valve	19
Installation	20
Disposal	22

Original Instructions



Overview

This equipment is destined for use by professionals. The user should read this instruction manual and any other additional information supplied by Agilent before operating the equipment. Agilent will not be held responsible for any events occurring due to non-compliance, even partial, with these instructions, improper use by untrained persons, non-authorized interference with the equipment or any action contrary to that provided for by specific national standards.

The following paragraphs contain all the information necessary to guarantee the safety of the operator when using the equipment.

The Turbo “Vent Device”, consisting of a control unit and a valve, is a complete unit for automatic venting of the Turbo vent pump when it is switched off or during a power failure. The valve is a normally-open (power off) valve, electro-magnetically-actuated and Viton-sealed with an M8 and M5 thread with O-ring on the high vacuum port and a filter or tube 1/4” adapter on the air inlet.

The control unit is activated with a delay, depending on power supply, to avoid inappropriate venting in the case of temporary power drops, and to permit the system valves to be closed before venting starts.

Technical characteristics

Control unit

Input voltage	100 ÷ 240 Vac ($\pm 10\%$)
- frequency	50 to 60 Hz
- power	50 VA
Output voltage	24 Vdc $\pm 5\%$
- power (max)	11 W
Delay time	about 2 sec. (120Vac) – about 8 sec. (230Vac) [see Figure 1]
Operating	0 to 40 °C 0 – 90 %
Storage	-20 to 50 °C 0 – 95 %

Delay

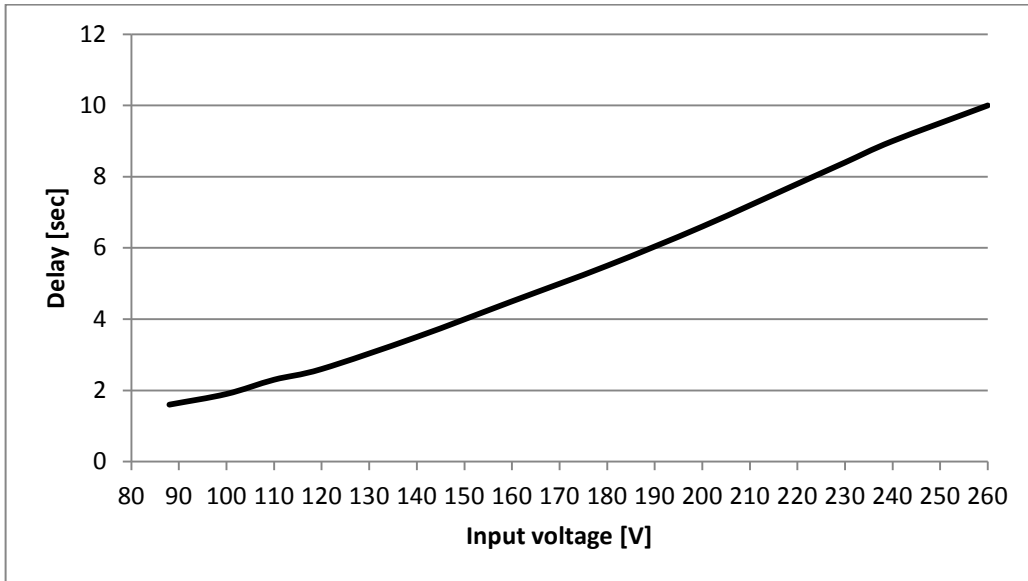


Figure 1 Vent delay

Connection Cables

Output to valve	5 meters long, 3 wire
Weight (with cable)	0.5 Kg (1.1 lbs)

Vent Valve

Valve status	Normally open (closed when power is applied)
High vacuum connection	M8/M5 thread
Air intake	sintered bronze filter or tube 1/4" adapter
Orifice size	1.2 mm (0.05") [X3505-68000] 0.5 mm (0.02") [X3505-68001]
Pressure range	10 ⁻⁶ mbar to 1 bar (10 ⁻⁷ Torr to atm)
Leak rate	≤ 1x10 ⁻⁷ mbar l/s
Life cycle	one million cycles
Input voltage	24 Vdc +10% -5%
- power	2 W
Bakeout temperature	60 °C
Weight (w/o cable)	0.1 Kg (0.24 lb)

The following figure gives the overall dimensions of the Turbo Vent Device.

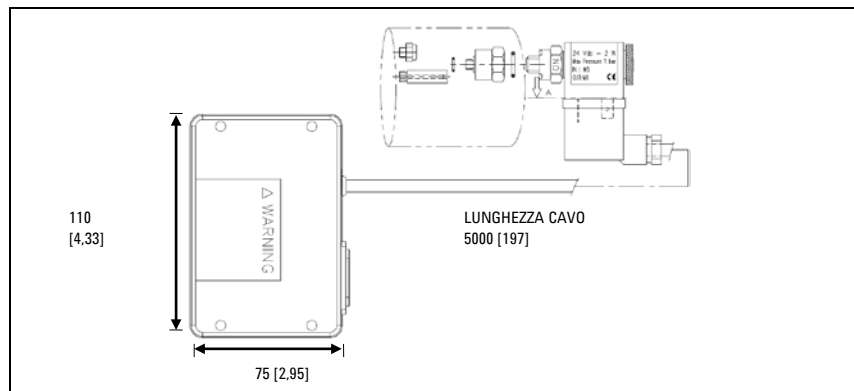


Figure 2 Dimensions in mm [inches]

Installation

The following figure shows the different components of the Turbo Vent Valve kit. These will be supplied to the client disassembled.

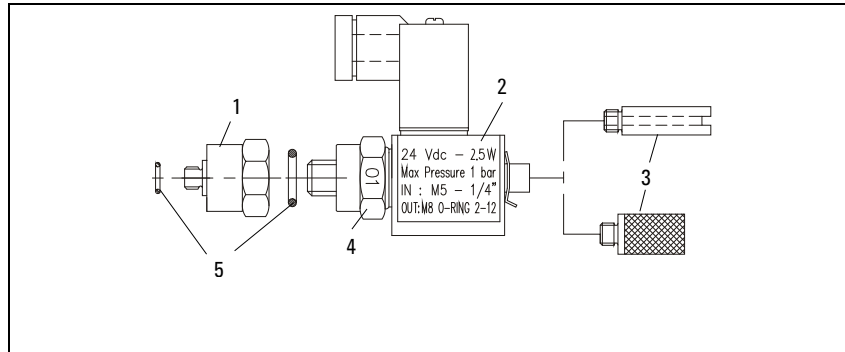


Figure 3 Turbo Vent Valve Kit

1	M8 - M5 adapter
2	Valve
3	Filter/ Tube 1/4" adapter
4	Coil securing nut
5	O-ring

The kit contains an M8 and M5 female/male adapter. It is up to the client to decide which adapter to use.

CAUTION!

When assembling the kit, be careful not to unscrew the coil securing ring and nut inside the valve.

Once the kit is assembled, install it on the pump.

For pumps equipped with a screw cap, once the screw cap is removed use the appropriate adapter to secure the valve to the pump.

The following figure shows a typical installation on a pump equipped with a screw cap.

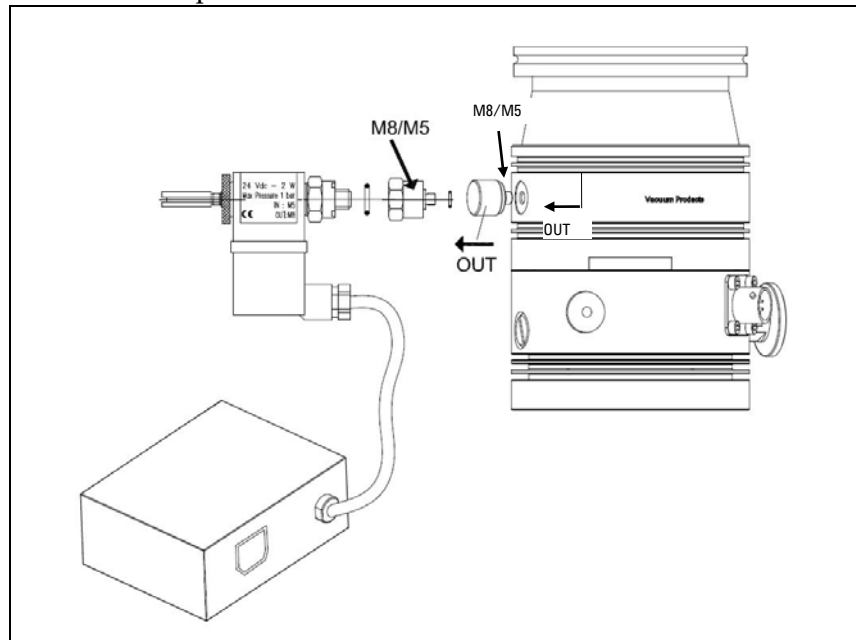


Figure 4 Installation on a Pump Equipped with a Screw Cap

Upon completion of the mechanical installation, attach the Turbo vent device.

For installation on pumps that are not equipped with a screw cap, use the flange system provided with the pump as shown in the following figure.

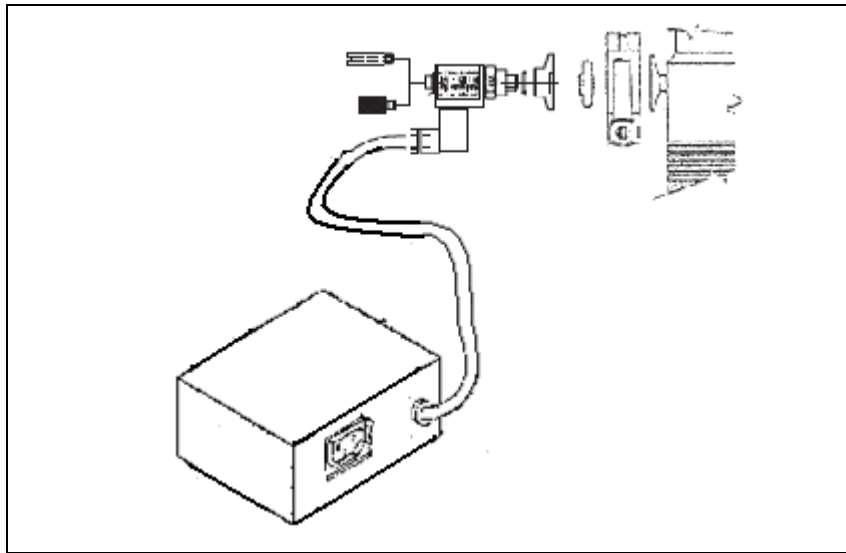


Figure 5 Installation on a Pump not Equipped with a Screw Cap

WARNING!

The device is designed for indoor use only and must be powered with 3-wire power cord (see orderable parts table) and plug (internationally approved) for user's safety. Use this power cord and plug in conjunction with a properly grounded power socket to avoid electrical shock and to satisfy CE requirements. High voltage developed in the device can cause severe injury or death. Before servicing the unit, disconnect the input power cable.

Disposal

Meaning of the "WEEE" logo found in labels

The following symbol is applied in accordance with the EC WEEE (Waste Electrical and Electronic Equipment) Directive.

This symbol (**valid only in countries of the European Community**) indicates that the product it applies to must NOT be disposed of together with ordinary domestic or industrial waste but must be sent to a differentiated waste collection system.

The end user is therefore invited to contact the supplier of the device, whether the Parent Company or a retailer, to initiate the collection and disposal process after checking the contractual terms and conditions of sale.



For more information refer to:

<http://www.agilent.com/environment/product/index.shtml>

Orderable Parts

Description	Part number
Mains cable NEMA plug (3 m)	9699958
Mains cable european plug (3 m)	9699957



Vacuum Products Division

Dear Customer,

Thank you for purchasing an Agilent vacuum product. At Agilent Vacuum Products Division we make every effort to ensure that you will be satisfied with the product and/or service you have purchased.

As part of our Continuous Improvement effort, we ask that you report to us any problem you may have had with the purchase or operation of our products. On the back side you find a Corrective Action request form that you may fill out in the first part and return to us.

This form is intended to supplement normal lines of communications and to resolve problems that existing systems are not addressing in an adequate or timely manner.

Upon receipt of your Corrective Action Request we will determine the Root Cause of the problem and take the necessary actions to eliminate it. You will be contacted by one of our employees who will review the problem with you and update you, with the second part of the same form, on our actions.

Your business is very important to us. Please, take the time and let us know how we can improve.

Sincerely,

A handwritten signature in black ink, appearing to read "Giampaolo LEVI".

Giampaolo LEVI

*Vice President and General Manager
Agilent Vacuum Products Division*

Note: Fax or mail the Customer Request for Action (see backside page) to Agilent Vacuum Products Division (Torino) – Quality Assurance or to your nearest Agilent representative for onward transmission to the same address.

CUSTOMER REQUEST FOR CORRECTIVE / PREVENTIVE / IMPROVEMENT ACTION

TO: AGILENT VACUUM PRODUCTS DIVISION TORINO – QUALITY ASSURANCE FAX

N°: XXXX-011-9979350

ADDRESS: AGILENT TECHNOLOGIES ITALIA S.p.A. – Vacuum Products Division –
Via F.lli Varian, 54 – 10040 Leini (TO) – Italy

E-MAIL: vpd-qualityassurance_pdl-ext@agilent.com

NAME	COMPANY	FUNCTION
<p>ADDRESS:</p> <p>TEL. N° : FAX N° :</p> <p>E-MAIL:</p>		
<p>PROBLEM / SUGGESTION :</p> <p>REFERENCE INFORMATION (model n°, serial n°, ordering information, time to failure after installation, etc.):</p> <p style="text-align: right;">DATE</p>		
<p>CORRECTIVE ACTION PLAN / ACTUATION (by AGILENT VPD)</p>		<p>LOG N°</p>

XXX = Code for dialing Italy from your country (es. 01139 from USA; 00139 from Japan, etc.)

Vacuum Products Division Instructions for returning products

Dear Customer,

Please follow these instructions whenever one of our products needs to be returned.

Complete the attached **Request for Return form** and send it to Agilent Technologies (see below), taking particular care to include the completed **Health and Safety** declaration Section. No work can be started on your unit until we receive a completed copy of this form.

After evaluating the information, Agilent Technologies will provide you with a **Return Authorization (RA) number** via email or fax, as requested. Note: Depending on the type of return, a Purchase Order may be required at the time **the Request for Return is submitted**. We will quote any necessary services (evaluation, repair, special cleaning, eg).

Product preparation

- Remove all accessories from the core product (e.g. inlet screens, vent valves).
- Prior to shipment and if applicable for your product, drain any oils or other liquids, purge or flush all gasses, and wipe off any excess residue.
- If ordering an Advance Exchange product, please use the packaging from the Advance Exchange to return the defective product.
- Seal the product in a plastic bag, and package product carefully to avoid damage in transit. You are responsible for loss or damage in transit.
- Include a copy of the Health and Safety Declaration in the shipping documentation on the outside of the shipping box of your returning product.
- Clearly label package with RA number. Using the shipping label provided will ensure the proper address and RA number are on the package. Packages shipped to Agilent without a RA clearly written on the outside cannot be accepted and will be returned.
- Return only products for which the RA was issued.

Shipping

- Ship to the location specified on the printable label, which will be sent, along with the RA number, as soon as we have received all of the required information. Customer is responsible for freight charges on returning product.
- Return shipments must comply with all applicable Shipping Regulations (IATA, DOT, ADR, etc.) and carrier requirements.

RETURN THE COMPLETED **REQUEST FOR RETURN** FORM TO YOUR NEAREST LOCATION:

EUROPE:

Fax: 00 39 011 9979 330
Fax Free: 00 800 345 345 00
Toll Free: 00 800 234 234 00

NORTH AMERICA:

Fax: 1 781 860 9252
Toll Free: 800 882 7426, Option 3

PACIFIC RIM:

Please visit our website for individual office information

vpt-customer@agilent.com

vpl-ra@agilent.com

<http://www.agilent.com>




TERMS AND CONDITIONS

Please read the terms and conditions below as they apply to all returns and are in addition to the Agilent Technologies Vacuum Product Division – Products and Services Terms of Sale.

- Unless otherwise pre-negotiated, customer is responsible for the freight charges for the returning product. Return shipments must comply with all applicable **Shipping Regulations** (IATA, DOT, etc.) and carrier requirements.
- Agilent Technologies is not responsible for returning customer provided packaging or containers.
- Customers receiving an Advance Exchange product agree to return the defective, rebuildable part to Agilent Technologies **within 15 business days**. Failure to do so, or returning a non-rebuildable part (crashed), will result in an invoice for the non-returned/non-rebuildable part.
- Returns for credit toward the purchase of new or refurbished Products are subject to prior Agilent approval and may incur a restocking fee. Please reference the original purchase order number.
- Units returned for evaluation will be evaluated, and a quote for repair will be issued. If you choose to have the unit repaired, the cost of the evaluation will be deducted from the final repair pricing. A Purchase Order for the final repair price should be issued within 3 weeks of quotation date. Units without a Purchase Order for repair will be returned to the customer, and the evaluation fee will be invoiced.
- Products returned that have not been drained from oil will be disposed.
- A Special Cleaning fee will apply to all exposed products.
- If requesting a calibration service, units must be functionally capable of being calibrated.

Customer information		
Company :	Contact Name:	
Address:	Tel:	Fax:
	Email:	

Equipment			
Product description	Agilent PartNo	Agilent Serial No	Original Purchasing Reference
Failure description		Type of process (for which the equipment was used)	

Type of return
<input type="checkbox"/> Non Billable <input type="checkbox"/> Billable  New PO # (hard copy must be submitted with this form): _____ <input type="checkbox"/> Exchange <input type="checkbox"/> Repair <input type="checkbox"/> Upgrade <input type="checkbox"/> Demo <input type="checkbox"/> Calibration <input type="checkbox"/> Evaluation <input type="checkbox"/> Return for Credit

Health and safety		Substances (please refer to MSDS forms)			
The product has been exposed to the following substances: (by selecting 'YES' you MUST complete the table to the right)		* Agilent will not accept delivery of any product that is exposed to radioactive, biological, explosive substances or dioxins, PCB's without written evidence of decontamination.			
		Trade name	Chemical name	Chemical Symbol	CAS Number
Toxic	<input type="checkbox"/> YES <input type="checkbox"/> NO				
Harmful	<input type="checkbox"/> YES <input type="checkbox"/> NO				
Corrosive	<input type="checkbox"/> YES <input type="checkbox"/> NO				
Reactive	<input type="checkbox"/> YES <input type="checkbox"/> NO				
Flammable	<input type="checkbox"/> YES <input type="checkbox"/> NO				
Explosive (*)	<input type="checkbox"/> YES <input type="checkbox"/> NO				
Radioactive (*)	<input type="checkbox"/> YES <input type="checkbox"/> NO				
Biological (*)	<input type="checkbox"/> YES <input type="checkbox"/> NO				
Oxidizing	<input type="checkbox"/> YES <input type="checkbox"/> NO				
Sensitizer	<input type="checkbox"/> YES <input type="checkbox"/> NO				
Other dangerous substances	<input type="checkbox"/> YES <input type="checkbox"/> NO				

Goods preparation	
If you have replied YES to one of the above questions. Has the product been purged?	<input type="checkbox"/> YES <input type="checkbox"/> NO
If yes, which cleaning agent/method:	
Has the product been drained from oil?	<input type="checkbox"/> YES <input type="checkbox"/> NOT APPLICABLE
I confirm to place this declaration on the outside of the shipping box.	

I declare that the above information is true and complete to the best of my knowledge and belief. I understand and agree to the terms and conditions on page 2 of this document.	
Name:	Authorized Signature:
Position:	
Date:	

NOTE: If a product is received at Agilent which is contaminated with a toxic or hazardous material that was not disclosed, the customer will be held responsible for all costs incurred to ensure the safe handling of the product, and is liable for any harm or injury to Agilent employees as well as to any third party occurring as a result of exposure to toxic or hazardous materials present in the product.

Agilent Vacuum Products Division/Sales and Service Offices

United States

Agilent Technologies
121 Hartwell Avenue
Lexington, MA 02421 - USA
Tel.: +1 781 861 7200
Fax: +1 781 860 5437
Toll-Free: +1 800 882 7426
vpl-customerservice@agilent.com

Benelux

Agilent Technologies Netherlands B.V.
Groenelaan 5, 1186 AA Amstelveen
The Netherlands
Tel: +31 20 547 2000
Fax: +31 20 547 2093

Brazil

Agilent Technologies Brasil
Avenida Marcos Penteados de Ulhoa
Rodrigues, 939 - 6° andar
Castelo Branco Office Park
Torre Jacarandá - Tamboré
Barueri, Sao Paulo CEP: 06460-040
Toll free: 0800 728 1405

China

Agilent Technologies (China) Co. Ltd
No.3, Wang Jing Bei Lu, Chao Yang District
Beijing, 100102, China
Tel: +86 (0)10 64397888
Fax: +86 (0)10 64391318
Toll free: 800 820 3278
vacuum.cnmarketing@agilent.com
vpc-customerservice@agilent.com

France

Agilent Technologies
Parc Technopolis - Z.A. de Courtaboeuf
3, avenue du Canada - CS 90263
91978 Les Ulis cedex, France
Tel: +33 (0) 1 64 53 61 15
Fax: +33 (0) 1 64 53 50 01
vpf.sales@agilent.com

Germany and Austria

**Agilent Technologies
Sales & Services GmbH & Co. KG**
Lyoner Str. 20
60 528 Frankfurt am Main
GERMANY
Tel: +49 69 6773 43 2230
Fax: +49 69 6773 43 2250

India

Agilent Technologies India Pvt. Ltd.
Unit Nos 105-116
First Floor, Splendor Forum,
Plot No.-3, District Centre, Jasola
New Delhi-110025
Ph: +91 11 4623 7100
Fax: +91 4623 7105
Toll Free: 18001801517

Italy

Agilent Technologies Italia S.p.A.
Via F.lli Varian, 54
10040 Leini, (Torino) - Italy
Tel: +39 011 9979 111
Fax: +39 011 9979 350
Toll free: 00 800 234 234 00
vpt-customerservice@agilent.com

Japan

Agilent Technologies Japan, Ltd.
8th Floor Sumitomo Shibaura Building
4-16-36 Shibaura Minato-ku
Tokyo 108-0023 - Japan
Tel.: +81 3 5232 1253
Fax: +81 3 5232 1710
Toll-Free: 0120 655 040
vpj-customerservice@agilent.com

Korea

Agilent Technologies Korea, Ltd.
Shinsa 2nd Bldg. 2F, 966-5 Daechi-dong
Kangnam-gu, Seoul
Korea 135-280
Tel: +82 (0)2 2194 9449
Fax: +82 (0)2 3452 3947
Toll free: 080 222 2452
vpk-customerservice@agilent.com

Mexico

Agilent Technologies
Concepcion Beistegui No 109
Col Del Valle
C.P. 03100 - Mexico, D.F.
Tel.: +52 5 523 9465
Fax: +52 5 523 9472

Singapore

Agilent Technologies Singapore Pte. Ltd.
1 Yishun Avenue 7,
Singapore 768923
Tel : (65) 6215 8045
Fax : (65) 6754 0574
Toll free: 1 800 2762622
vps-customerservice@agilent.com

Southeast Asia

Agilent Technologies Sales Sdn Bhd
Unit 201, Level 2 uptown 2,
2 Jalan SS21/37, Damansara Uptown
47400 Petaling Jaya,
Selangor, Malaysia
Tel : +603 7712 6106
Fax: +603 6733 8121
Toll free: 1 800 880 805
vps-customerservice@agilent.com

Taiwan

Agilent Technologies Taiwan Limited
20 Kao-Shuang Road Ping-Chen City
Tao-Yuan Hsien,
32450 Taiwan, R.O.C.
Tel: +886 3 4959004
Toll free: 0800 018 768
vpw-customerservice@agilent.com

UK and Ireland

Agilent Technologies UK, Ltd.
6 Mead Road Oxford Industrial Park
Yarnton, Oxford OX5 1QU - UK
Tel.: +44 (0) 1865 291570
Fax: +44 (0) 1865 291571

Other Countries

Agilent Technologies Italia S.p.A.
Via F.lli Varian, 54
10040 Leini, (Torino) - Italy
Tel.: +39 011 997 9111
Fax: +39 011 997 9350
Toll-Free: 00 800 234 234 00

Customer Support & Service

NORTH AMERICA:

Toll Free: 800 882 7426
vpl-ra@agilent.com

EUROPE:

Toll Free: 00 800 234 234 00
vpt-customer-care@agilent.com

PACIFIC RIM:

please visit our website for individual office
information

<http://www.agilent.com/chem/vacuum>

Worldwide Web Site, Catalog and Order On-line:

www.agilent.com/chem/vacuum

Representatives in most countries

12/13

© Agilent Technologies, Inc. 2013
Printed in ITALY
07/2015
Publication Number: 87-901-035-01 (B)



Agilent Technologies



Agilent Technologies