



**Agilent Technologies**

*Vacuum Products Division*

**CE**

# ***Adapter Plate for IDP-7 to SH-110 Pattern***

*INSTRUCTION MANUAL*



Manual No. X3807-90008

Revision A

Dec. 2016

*This page intentionally left blank*

# Adapter Plate for IDP-7 to SH-110 Pattern



# Warranty

Products manufactured by Seller are warranted against defects in materials and workmanship for twelve (12) months from date of shipment thereof to Customer, and Seller's liability under valid warranty claims is limited, at the option of Seller, to repair, to replace, or refund of an equitable portion of the purchase price of the Product. Items expendable in normal use are not covered by this warranty. All warranty replacement or repair of parts shall be limited to equipment malfunctions which, in the sole opinion of Seller, are due or traceable to defects in original materials or workmanship. All obligations of Seller under this warranty shall cease in the event of abuse, accident, alteration, misuse, or neglect of the equipment. In-warranty repaired or replaced parts are warranted only for the remaining unexpired portion of the original warranty period applicable to the repaired or replaced parts. After expiration of the applicable warranty period, Customer shall be charged at the then current prices for parts, labor, and transportation.

Reasonable care must be used to avoid hazards. Seller expressly disclaims responsibility for loss or damage caused by use of its Products other than in accordance with proper operating procedures.

Except as stated herein, Seller makes no warranty, expressed or implied (either in fact or by operation of law), statutory or otherwise; and, except as stated herein, Seller shall have no liability under any warranty, expressed or implied (either in fact or by operation of law), statutory or otherwise. Statements made by any person, including representatives of Seller, which are inconsistent or in conflict with the terms of this warranty shall not be binding upon Seller unless reduced to writing and approved by an officer of Seller.

## Warranty Replacement and Adjustment

All claims under warranty must be made promptly after occurrence of circumstances giving rise thereto, and must be received within the applicable warranty period by Seller or its authorized representative. Such claims should include the Product serial number, the date of shipment, and a full description of the circumstances giving rise to the claim. Before any Products are returned for repair and/or adjustment, written authorization from Seller or its authorized representative for the return and instructions as to how and where these Products should be returned must be obtained. Any Product returned to Seller for examination shall be prepaid via the means of transportation indicated as acceptable by Seller. Seller reserves the right to reject any warranty claim not promptly reported and any warranty claim on any item that has been altered or has been returned by non-acceptable means of transportation. When any Product is returned for examination and inspection, or for any other reason, Customer shall be responsible for all damage resulting from improper packing or handling, and for loss in transit, notwithstanding any defect or non-conformity in the Product. In all cases, Seller has the sole responsibility for determining the cause and nature of failure, and Seller's determination with regard thereto shall be final.

If it is found that Seller's Product has been returned without cause and is still serviceable, Customer will be notified and the Product returned at the Customer's expense; in addition, a charge for testing and examination may be made on Products so returned.

# Contents

<u>SECTION</u>	<u>PAGE</u>
<b>Warranty</b> .....	<b>iii</b>
Warranty Replacement and Adjustment.....	iii
<b>Instructions for Use</b> .....	<b>1</b>
General Information.....	1
Preparation for Installation.....	1
<b>Installing the Adapter Plate</b> .....	<b>3</b>
Request for Return Health and Safety Certification	

# List of Figures

<u>FIGURE</u>	<u>CAPTION</u>	<u>PAGE</u>
1	Exploded view of IDP-7 and adapter plate.....	3

*This page intentionally left blank.*

# Instructions for Use

## General Information

This equipment is designed for use by trained personnel. The user should read this instruction manual and any other additional information supplied by Agilent before operating the equipment. Agilent will not be held responsible for any events that occur due to non-compliance with these instructions, improper use by untrained persons, non-authorized interference with the equipment, or any action contrary to that provided for by specific national standards.

The IDP-7 is a hermetic, dry scroll vacuum pump. This pump is suitable for pumping air or inert gases. The pump is not intended to pump corrosive, explosive, or particulate-forming gases.

The following paragraphs contain all the information necessary to guarantee the safety of the operator when using the equipment. Detailed information is supplied in "Technical Information" on page 4.

This manual uses the following standard safety protocol:

### WARNING



*The warning messages are for attracting the attention of the operator to a particular procedure or practice which, if not followed correctly, could lead to serious injury.*

### CAUTION



*The caution messages are displayed before procedures, which if not followed, could cause damage to the equipment.*

### NOTE



*The notes contain important information taken from the text.*

## Preparation for Installation

The pump is supplied in a special protective packing. If this shows signs of damage, which may have occurred during transport, contact your local sales office.

Total weight of the packing, IDP-7 pump included, is approximately 28.1 kg (62 lbs).

### WARNING



*The IDP-7 pump itself weighs 24.5 kg (54 lbs). To avoid injury, use lifting aids and proper lifting techniques when moving the pump.*

### WARNING



*When moving the pump, be sure not to drop it and avoid any kind of sudden impact or shock vibration to it.*

### NOTE






*Normal exposure to the environment cannot damage the pump. Nevertheless, it is advisable to keep the pump inlet closed until the pump is installed in the system.*

*This page intentionally left blank.*



## Installing the Adapter Plate

This adapter plate is customer service kit part number X3807-68007. See the following instructions to use the adapter plate to mount an IDP-7 pump to a hole pattern that was already created for the mounting holes of a SH-110 pump.

1. Place the adapter plate with the side marked "TOP" facing up over the existing SH110 bolt pattern.  Use caution, the plate is heavy and could pinch fingers.
2. Use existing hardware to securely fasten the adapter plate to the existing SH110 bolt pattern.
3. Place the IDP-7 pump on the adapter plate, and align the corner bolt holes.  Use caution, do not pinch your fingers between the pump and the plate, it is quite heavy.
4. Thread the included M6 stud through the corner holes of the pump into the adapter plate, only tighten to finger tight.
5. Thread and tighten the flanged M6 nuts over the exposed M6 stud.  This nut must be tight to secure the pump

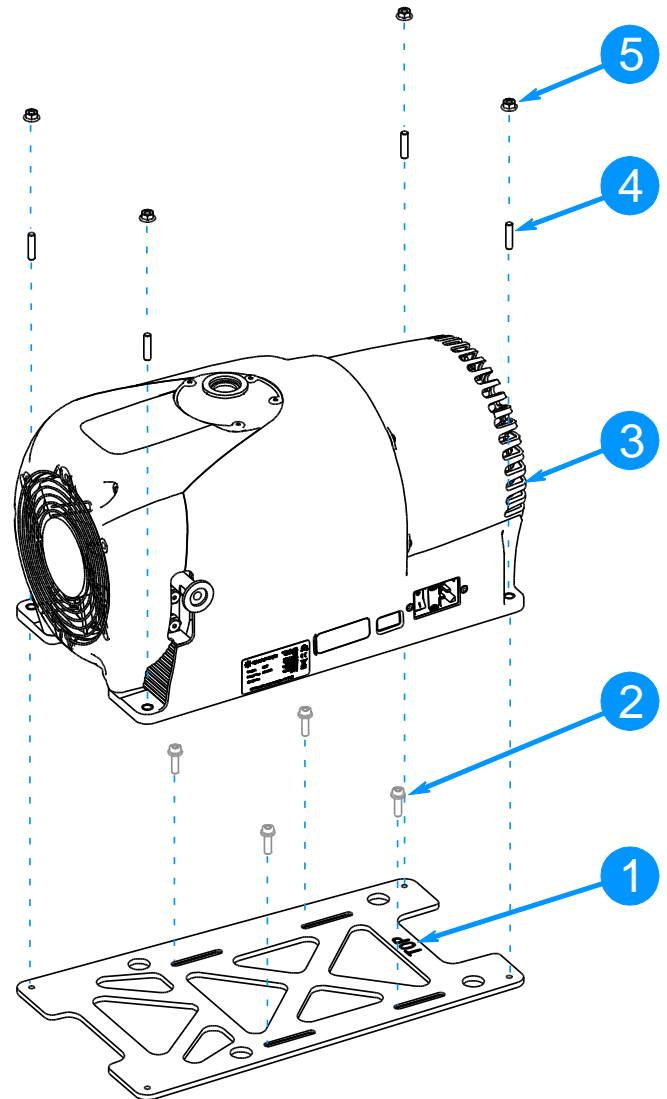


Figure 1. Exploded view of IDP-7 and adapter plate

*This page intentionally left blank.*



Dear Customer,

Please follow these instructions whenever one of our products needs to be returned.

Complete the attached Request for Return form and send it to Agilent Technologies (see below), taking particular care to include the completed Health and Safety declaration Section. No work can be started on your unit until we receive a completed copy of this form.

After evaluating the information, Agilent Technologies will provide you with a Return Authorization (RA) number via email or fax, as requested. Note: Depending on the type of return, a Purchase Order may be required at the time the Request for Return is submitted. We will quote any necessary services (evaluation, repair, special cleaning, eg).

### Product preparation

- Remove all accessories from the core product (e.g. inlet screens, vent valves).
- Prior to shipment and if applicable for your product, drain any oils or other liquids, purge or flush all gasses, and wipe off any excess residue.
- If ordering an Advance Exchange product, please use the packaging from the Advance Exchange to return the defective product.
- Seal the product in a plastic bag, and package product carefully to avoid damage in transit. You are responsible for loss or damage in transit.
- Include a copy of the Health and Safety Declaration in the shipping documentation on the outside of the shipping box of your returning product.
- Clearly label package with RA number. Using the shipping label provided will ensure the proper address and RA number are on the package. Packages shipped to Agilent without a RA clearly written on the outside cannot be accepted and will be returned.
- Return only products for which the RA was issued.

### Shipping

- Ship to the location specified on the printable label, which will be sent, along with the RA number, as soon as we have received all of the required information. Customer is responsible for freight charges on returning product.
- Return shipments must comply with all applicable Shipping Regulations (IATA, DOT, ADR, etc.) and carrier requirements.

RETURN THE COMPLETED REQUEST FOR RETURN FORM TO YOUR NEAREST LOCATION:

#### EUROPE:

Fax: 00 39 011 9979 330

Fax Free: 00 800 345 345 00

Toll Free: 00 800 234 234 00

[vpt-customer@agilent.com](mailto:vpt-customer@agilent.com)

#### NORTH AMERICA:

Fax: 1 781 860 9252

Toll Free: 800 882 7426

[vpl-ra@agilent.com](mailto:vpl-ra@agilent.com)

#### PACIFIC RIM:

please visit our website for individual  
office information

<http://www.agilent.com>



**TERMS AND CONDITIONS**

Please read the terms and conditions below as they apply to all returns and are in addition to the Agilent Technologies Vacuum Product Division – Products and Services Terms of Sale.

- Unless otherwise pre-negotiated, customer is responsible for the freight charges for the returning product. Return shipments must comply with all applicable Shipping Regulations (IATA, DOT, etc.) and carrier requirements.
- Agilent Technologies is not responsible for returning customer provided packaging or containers.
- Customers receiving an Advance Exchange product agree to return the defective, rebuildable part to Agilent Technologies within 15 business days. Failure to do so, or returning a non-rebuildable part (crashed), will result in an invoice for the non-returned/non-rebuildable part.
- Returns for credit toward the purchase of new or refurbished Products are subject to prior Agilent approval and may incur a restocking fee. Please reference the original purchase order number.
- Units returned for evaluation will be evaluated, and a quote for repair will be issued. If you choose to have the unit repaired, the cost of the evaluation will be deducted from the final repair pricing. A Purchase Order for the final repair price should be issued within 3 weeks of quotation date. Units without a Purchase Order for repair will be returned to the customer, and the evaluation fee will be invoiced.
- Products returned that have not been drained from oil will be disposed.
- A Special Cleaning fee will apply to all exposed products
- If requesting a calibration service, units must be functionally capable of being calibrated.



**Agilent Technologies**

Vacuum Products Division  
Request for Return Form

Customer information		
Company :	Contact Name:	
Address:	Tel:	Fax:
	Email:	

Equipment			
Product description	Agilent PartNo	Agilent Serial No	Original Purchasing Reference
Failure description		Type of process (for which the equipment was used)	

Type of return
<input type="checkbox"/> Non Billable <input type="checkbox"/> Billable <input checked="" type="checkbox"/> New PO # (hard copy must be submitted with this form): _____ <input type="checkbox"/> Exchange <input type="checkbox"/> Repair <input type="checkbox"/> Upgrade <input type="checkbox"/> Consignment/Demo <input type="checkbox"/> Calibration <input type="checkbox"/> Evaluation <input type="checkbox"/> Return for Credit

Health and safety	Substances (please refer to MSDS forms)			
The product has been exposed to the following substances: (by selecting 'YES' you MUST complete the table to the right)	* Agilent will not accept delivery of any product that is exposed to radioactive, biological, explosive substances or dioxins, PCB's without written evidence of decontamination.			
	Trade name	Chemical name	Chemical Symbol	CAS Number
Toxic	<input type="checkbox"/> YES <input type="checkbox"/> NO			
Harmful	<input type="checkbox"/> YES <input type="checkbox"/> NO			
Corrosive	<input type="checkbox"/> YES <input type="checkbox"/> NO			
Reactive	<input type="checkbox"/> YES <input type="checkbox"/> NO			
Flammable	<input type="checkbox"/> YES <input type="checkbox"/> NO			
Explosive (*)	<input type="checkbox"/> YES <input type="checkbox"/> NO			
Radioactive (*)	<input type="checkbox"/> YES <input type="checkbox"/> NO			
Biological (*)	<input type="checkbox"/> YES <input type="checkbox"/> NO			
Oxidizing	<input type="checkbox"/> YES <input type="checkbox"/> NO			
Sensitizer	<input type="checkbox"/> YES <input type="checkbox"/> NO			
Other dangerous substances	<input type="checkbox"/> YES <input type="checkbox"/> NO			

Goods preparation
If you have replied YES to one of the above questions. Has the product been purged? <span style="float:right"><input type="checkbox"/> YES   <input type="checkbox"/> NO</span>
If yes, which cleaning agent/method:
Has the product been drained from oil? <span style="float:right"><input type="checkbox"/> YES   <input type="checkbox"/> NOT APPLICABLE</span>
I confirm to place this declaration on the outside of the shipping box. <span style="float:right"><input type="checkbox"/></span>

I declare that the above information is true and complete to the best of my knowledge and belief. I understand and agree to the terms and conditions on page 2 of this document.	
Name:	Authorized Signature:
Position:	
Date:	

NOTE: If a product is received at Agilent which is contaminated with a toxic or hazardous material that was not disclosed, the customer will be held responsible for all costs incurred to ensure the safe handling of the product, and is liable for any harm or injury to Agilent employees as well as to any third party occurring as a result of exposure to toxic or hazardous materials present in the product.

*This page intentionally left blank*

## Agilent Vacuum Products Division/Sales and Service Offices

### United States

Agilent Technologies  
121 Hartwell Avenue  
Lexington, MA 02421 - USA  
Tel. +1 781 861 7200  
Fax. +1 781 860 5437  
Toll-Free: +1 800 882 7426  
[vpl-customer@agilent.com](mailto:vpl-customer@agilent.com)

### Belgium

Agilent Technologies Belgium S.A./N.V.  
Customer Contact Center  
Pegasus Park  
De Kleetlaan 12A bus 12  
B-1831 Diegem  
Tel. +32 2 404 92 22  
Fax. +32 2 626 46 30  
[customer@agilent.com](mailto:customer@agilent.com)

### Brazil

Agilent Technologies Brasil  
Avenida Marcos Penteados de Ulhoa  
Rodrigues, 939 - 6° andar  
Castelo Branco Office Park  
Torre Jacarandá - Tamboré  
Barueri, Sao Paulo CEP: 06460-040  
Toll-Free: +0800 728 1405

### China

Agilent Technologies (China) Co. Ltd  
No.3, Wang Jing Bei Lu, Chao Yang District  
Beijing, 100102, China  
Tel. +86 (0)10 64397888  
Fax. +86 (0)10 64392765  
Toll free: 800 820 6778 (Phone)  
Toll free: 400 820 6778 (Cell Phone)  
[vacuum.cnmarketing@agilent.com](mailto:vacuum.cnmarketing@agilent.com)  
[vpc-customer@agilent.com](mailto:vpc-customer@agilent.com)

### France

Agilent Technologies  
Parc Technopolis - Z.A. de Courtaboeuf  
3, avenue du Canada - CS 90263  
91978 Les Ulis cedex, France  
Tel. +33 (0) 1 64 53 61 15  
Fax. +33 (0) 1 64 53 50 01  
[vpl.sales@agilent.com](mailto:vpl.sales@agilent.com)

### Germany and Austria

Agilent Technologies  
Sales & Services GmbH & Co. KG  
Lyoner Str. 20  
60 528 Frankfurt am Main  
GERMANY  
Ph. +49 69 6773 43 2230  
Fax. +49 69 6773 43 2250

### India (Sales)

Agilent Technologies India Pvt. Ltd.  
Unit Nos 110-116, & Part of 101 & 109  
First Floor, Splendor Forum,  
Plot No. -3, District Centre, Jasola  
New Delhi-110025  
Tel. +91 11 4623 7100  
Fax. +91 4623 7105

### India (Service)

Agilent Technologies India Pvt. Ltd.  
C-Block, RMZ Centennial Plot Number -  
8A, 8B, 8C, 8D,  
Doddanakundi Industrial Area, ITPL  
Road,  
Mahadevapura Post, Bangalore- 560048  
Tel. +91 80 40614000  
Fax. +91 80 40148991

### Italy

Agilent Technologies Italia S.p.A.  
Via F.lli Varian, 54  
10040 Leini, (Torino) - Italy  
Tel. +39 011 9979 111  
Fax. +39 011 9979 350  
Toll free: 00800 234 234 00  
[vpt-customer@agilent.com](mailto:vpt-customer@agilent.com)

### Japan

Agilent Technologies Japan, Ltd.  
9-1 Takakura-cho Hachioji-city,  
Tokyo, Japan  
Tel. +81- 3-5232-1253  
Fax. +81-120-565-154  
Toll-Free: +81-120-477-111  
[jp-vvt-sales.pdl-ext@agilent.com](mailto:jp-vvt-sales.pdl-ext@agilent.com)

### Korea

Agilent Technologies Korea, Ltd.  
Ilshin Building 4F  
Yongsan-gu Hannam-daero  
Seoul Korea 04418  
Tel. +82 (0)2 2194 9449  
Fax. +82 (0)2 2194 9853  
Toll free: 080 222 2452  
[vpc-customer@agilent.com](mailto:vpc-customer@agilent.com)

### Mexico

Agilent Technologies  
Concepcion Beistegui No. 109  
Col Del Valle  
C.P. 03100 - Mexico, D.F.  
Tel. +52 5 523 9465  
Fax. +52 5 523 9472

### Netherlands

Agilent Technologies Netherlands B.V.  
Customer Contact Center  
Laan van Langerhuize 1, toren A-8  
1186 DS Amstelveen  
Tel. +31 020 547 2600  
Fax. +31 020 654 5748  
[customer@agilent.com](mailto:customer@agilent.com)

### Singapore

Agilent Technologies Singapore Pte. Ltd.  
1 Yishun Avenue 7,  
Singapore 768923  
Tel. (65) 6215 8045  
Fax. (65) 6754 0574  
Toll-Free: 1 800 2762622  
[vps-customer@agilent.com](mailto:vps-customer@agilent.com)

### Southeast Asia

Agilent Technologies Sales Sdn Bhd  
Unit 201, Level 2 uptown 2,  
2 Jalan SS21/37, Damansara Uptown  
47400 Petaling Jaya, Selangor, Malaysia  
Tel. +603 7712 6181  
Fax. +603 7727 1239  
Toll-Free: +1 800 880 805  
[vps-customer@agilent.com](mailto:vps-customer@agilent.com)

### Taiwan

Agilent Technologies Taiwan Limited  
No. 20 Gao-shuang Road, Ping-zhen Dis  
Tao-Yuan City  
32450 Taiwan, R.O.C.  
Tel. +8863 3 4959004  
Toll-Free: 0800 018 768  
[vpw-customer@agilent.com](mailto:vpw-customer@agilent.com)

### UK and Ireland

Agilent Technologies LDA UK Limited  
Lakeside Cheadle Royal Business Park  
Cheadle, Cheshire SK8 3GR,  
United Kingdom  
Tel. +44 01865291570  
Fax. +44 01865291571  
Toll-Free: 00 800 234 234 00  
Toll-Free fax.: 00 800 345 345 00  
[vpt-customer@agilent.com](mailto:vpt-customer@agilent.com)

### Other Countries

Agilent Technologies Italia S.p.A.  
Via F.lli Varian, 54  
10040 Leini, (Torino) - Italy  
Tel. +39 011 997 9111  
Fax. +39 011 997 9350  
Toll-Free: 00 800 234 234 00  
[vpt-customer@agilent.com](mailto:vpt-customer@agilent.com)

### Customer Support & Service

**NORTH AMERICA:**  
Toll Free: 800 882 7426  
[vpl-ra@agilent.com](mailto:vpl-ra@agilent.com)  
[Lexington-service@agilent.com](mailto:Lexington-service@agilent.com)

### **EUROPE:**

Toll-Free: 00 800 234 234 00  
[vpt-customer@agilent.com](mailto:vpt-customer@agilent.com)

### **PACIFIC RIM:**

please visit our website for individual office  
information  
<http://www.agilent.com/chem/vacuum>

Worldwide Web Site, Catalog and Order Online:

[www.agilent.com/chem/vacuum](http://www.agilent.com/chem/vacuum)

Representatives in most countries

