

## Fan installation for X3501 series controllers

New fan is suitable for Agilent X3501 series controllers.

### 1.1 Fan outline

The following figure shows the outline of the new fan.

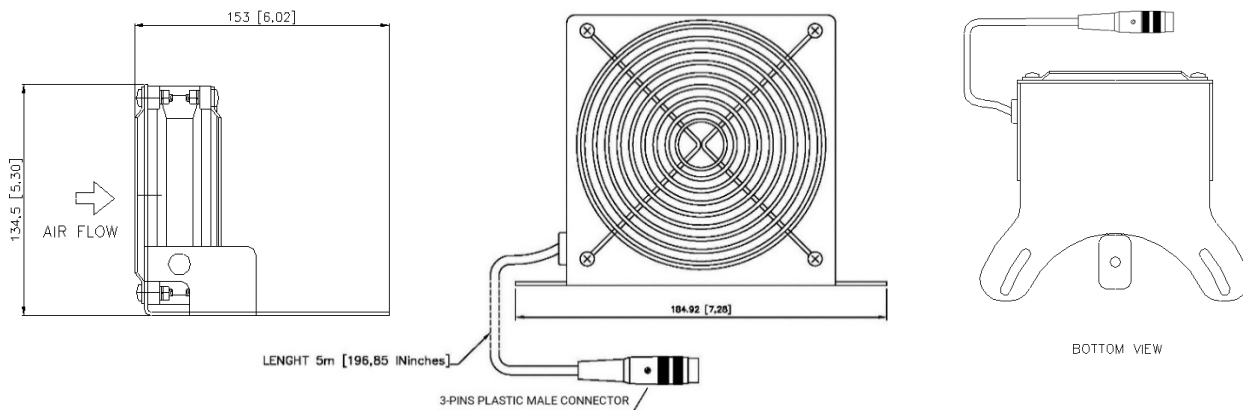


Figure 1 – Outline drawing

### 1.2 Fan preparation

To prepare the fan for the installation it is necessary to detach the spacer from the fan installation flange (see the following figure).

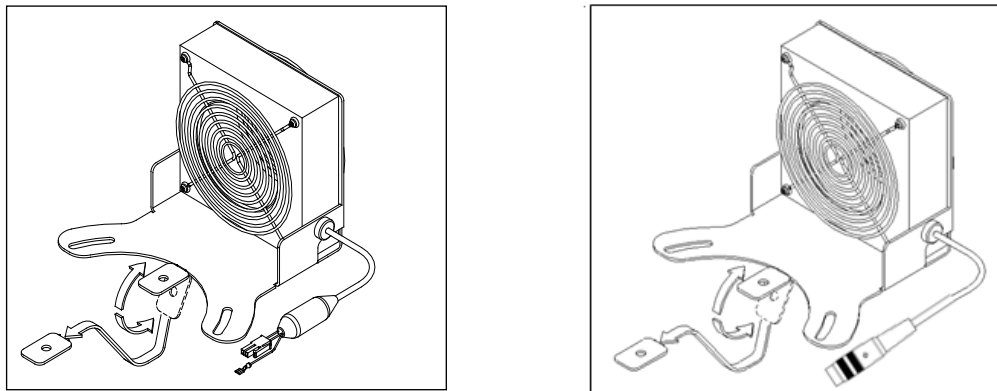


Figure 2 – Spacer removing

**NOTE**

Do not lose the spacer: it must be used during the fan installation.

### 1.3 Fan installation

To install the fan the following procedure must be executed (see figures 3 and 4).

Position the fan and the spacer on the pump bottom.

Position the three fixing blocks.

Fix the three fixing blocks, the fan and the spacer with the three M6 screws removed during the controller removing.

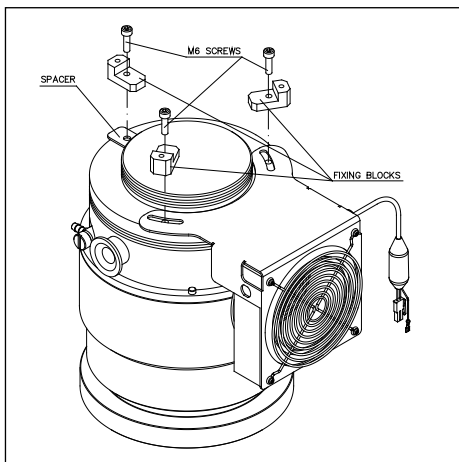


Fig. 3 TwisTorr medium size TMP (404 FS, 704 FS, 804 FS) fan installation

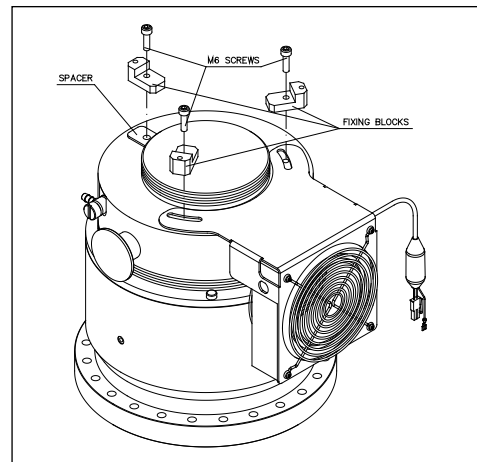


Fig. 4 TV 1001 series pump fan installation

### 1.4 Fan to Controller Connection

The fan has one cable terminating with one 3-pins plastic male connector for the 24Vdc power supply.

Plug the 3-pins plastic male connector into the "FAN" named 3-pins female connector available on the controller.

## Disposal

### Meaning of the "WEEE" logo found in labels.

The following symbol is applied in accordance with the EC WEEE (Waste Electrical and Electronic Equipment) Directive. This symbol (valid only in countries of the European Community) indicates that the product it applies to must NOT be disposed of together with ordinary domestic or industrial waste but must be sent to a differentiated waste collection system. The end user is therefore invited to contact the supplier of the device, whether the Parent Company or a retailer, to initiate the collection and disposal process after checking the contractual terms and conditions of sale.



Figure 5 Logo "WEEE"

For more information refer to:

<http://www.agilent.com/environment/product/index.shtml>

### Customer Support & Service:

#### NORTH AMERICA:

Toll Free: 800 882 7426  
[vpl-ra@agilent.com](mailto:vpl-ra@agilent.com)  
[Lexington-service@agilent.com](mailto:Lexington-service@agilent.com)

#### EUROPE:

Toll Free: 00 800 234 234 00  
[vpt-customer-care@agilent.com](mailto:vpt-customer-care@agilent.com)

#### PACIFIC RIM:

please visit our website for individual office information  
<http://www.agilent.com/chem/vacuum>

### Worldwide Web Site, Catalog and Order Online:

[www.agilent.com/chem/vacuum](http://www.agilent.com/chem/vacuum)  
Representatives in most countries

[www.agilent.com](http://www.agilent.com)

This information is subject to change without notice.

© Agilent Technologies, Inc. 2022

Printed in Italy, 11/2022

87-901-041-01 (B.00)