



Exhaust Silencer Kit for Agilent TriScroll Pumps



Solution Note

- Introduction
- How it works
- Kit Components
- Exploded View of Kit
- Installation
- Conclusion

INTRODUCTION

When TriScroll Pumps are installed in a Laboratory or quiet environment it may be required to reduce the noise level of the exhaust of the pump, particularly in high gas load or high gas flow applications. The TriScroll Exhaust Silencer Kit is the recommended accessory to reduce operating noise levels.

HOW IT WORKS

The "Exhaust Silencer Kit - Dry Pump Conversions", P/N PTSREXSLRAB1, uses a cylindrical resonator chamber selected to attenuate the frequencies associated with the exhaust gas pulsation noise. The resonator is then plumbed to the exhaust line. The associated hardware for this connection is included in the kit. This kit will generally provide all the noise reduction needed. The cylindrical resonator is installed in the flexible exhaust line included in the standard dry pump conversion kit.



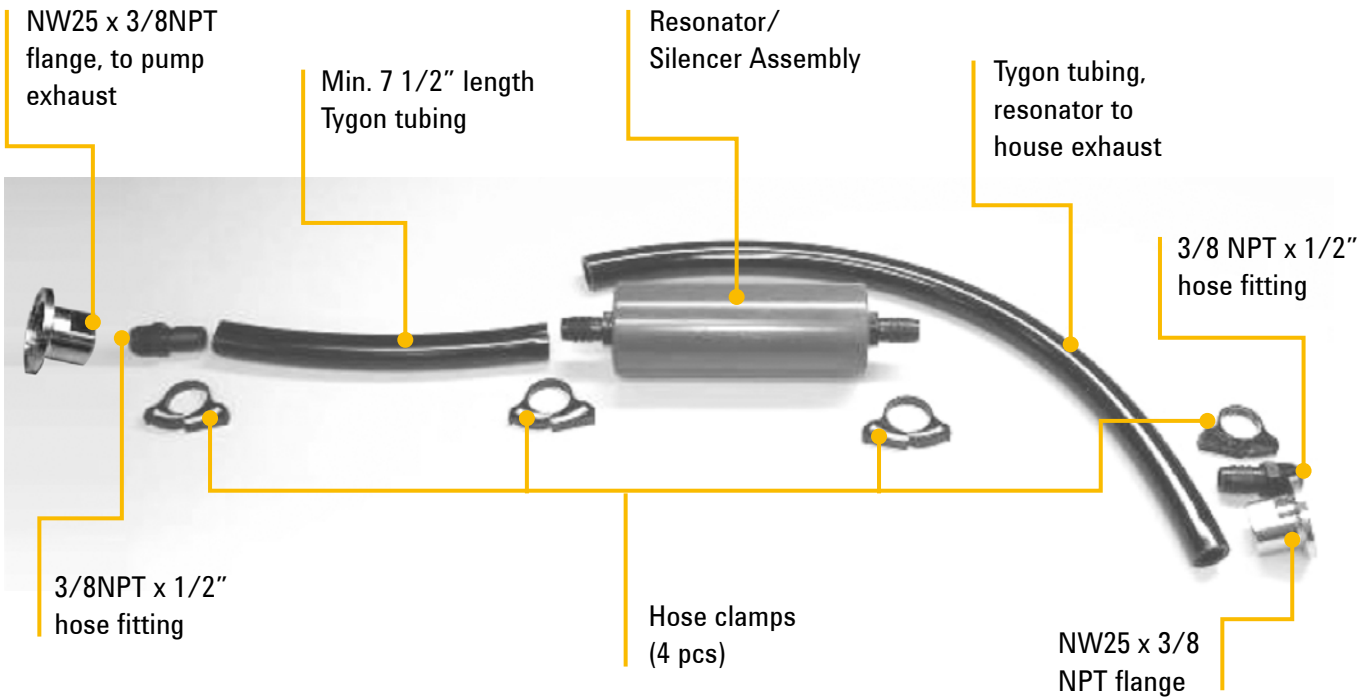
Agilent Technologies

TriScroll Exhaust Silencer Kit

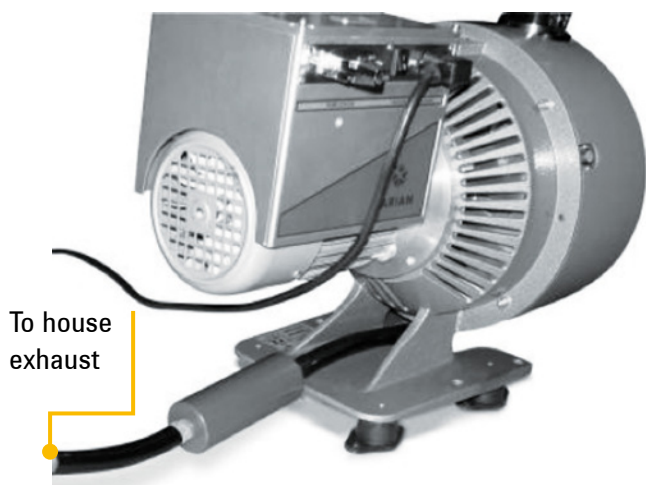
Exhaust Silencer Kit for TriScroll Original Installations P/N PTSREXSLRAB2	
Part Name	Qty Used
Tygon hose black .75" OD x .125"w x 36" long	1
Exhaust Silencer/Resonator Assembly	1
Hose Clamp	4
Mount, Adhesive Backed	4
Tie Wrap	4
NW25 Clamp	2
NW25 Centering Ring	2
Flange, NW25 x 3/8" NPTF	2
Fitting, 3/8" NPTM x 1/2" hose	2

INSTALLATION

1. Disconnect house exhaust from pump exhaust at the NW25 flange.
2. Assemble components supplied in the kit as below. Cut one length of 1/2" Tygon tubing at least 7 1/2" to go between the pump exhaust and the resonator. The remaining length of tubing may be cut to any length as convenient for the installation.
3. Install the NW25 flange that leads to the resonator to the pump exhaust; connect the other end of the assembly to the NW25 flange of the house exhaust.
4. Supplied mounts and cable ties may be used to secure the resonator if desired.



Elements of the TriScroll Exhaust Silencer Kit.



TriScroll pump with silencer kit installed toward rear of pump

CONCLUSION

The installation of the TriScroll Exhaust Silencer Kit will typically reduce noise from exhaust pulsation and high gas flow applications to a user friendly level resulting in a better working environment.



TriScroll 300 and 600

For more information:

North and South America

Agilent Technologies
121 Hartwell Avenue
Lexington MA 02421 USA
Toll free: +1 800 882 7426
vpl-customerservice@agilent.com

Europe and Other Countries

Agilent Technologies Italia S.p.A.
via F.lli Varian 5410040 Leini (Torino), Italy
Toll free: 00 800 234 234 00
vpt.sales@agilent.com
vpt-customerservice@agilent.com

www.agilent.com/chem/vacuum