



Agilent Technologies

1100 LC Manual Injection Valve Cleaning and Flushing Procedure

This document is believed to be accurate and up-to-date. However, Agilent Technologies, Inc. cannot assume responsibility for the use of this material.

The information contained herein is intended for use by informed individuals who can and must determine its fitness for their purpose.

Flushing the Manual Injector

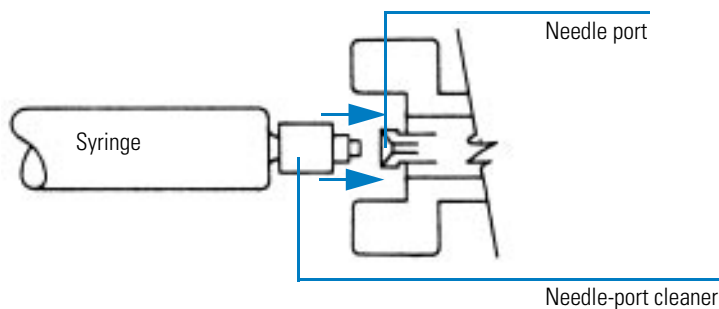
CAUTION

Always rinse the valve with water after using aqueous buffers or salt solutions to prevent crystal formation which may cause scratches on the injection seal.

- 1 Switch the valve to the INJECT position.
- 2 Use the pump to flush the sample loop and seal grooves.
- 3 Use the needle-port cleaner (supplied with the valve) and syringe to flush the needle port and vent capillary.

Figure 8

Needle-port Cleaner



Cleaning the Manual Injector

The manual injector base should be kept clean. Cleaning should be done with a soft cloth slightly dampened with water or a solution of water and a mild detergent.