

## Agilent G5404B/G Microplate Labeler Site Preparation Checklist

Thank you for purchasing an Agilent G5404B/G **Microplate Labeler**. To get you started and to assure a successful and timely installation, please refer to this specification or set of requirements.

Correct site preparation is the key first step in ensuring that your instruments and software systems operate reliably over an extended lifetime. This document is an **information guide AND checklist** prepared for you that outlines the supplies, consumables, space and utility requirements for your equipment for your site.

### Customer Responsibilities

**Make sure your site meets the following prior specifications before the installation date. For details, see specific sections within this checklist, including:**

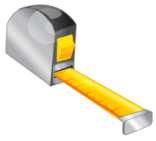
- The necessary laboratory or bench space is available
- The environmental conditions for the lab as well as laboratory gases and plumbing
- The power requirements related to the product (e.g., number & location of electrical outlets)
- The required operating supplies necessary for the product and installation
- Please consult Other Requirements section below for other product-specific information.
- For more details, please consult the **G5404B Microplate Labeler User Guide** (part number G5404-90003).

**If Agilent is delivering installation and familiarization services, users of the instrument should be present throughout these services; otherwise, they will miss important operational, maintenance and safety information.**

### Important Customer Information

1. If you have questions or problems in providing anything described as a Customer Responsibilities above, please contact your local Agilent or partner support/service organization for assistance prior to delivery. In addition, Agilent and/or its partners reserve the right to reschedule the installation dependent upon the readiness of your laboratory.
2. Should your site not be ready for whatever reasons, please contact Agilent as soon as possible to re-arrange any services that have been purchased.
3. Other optional services such as additional training, operational qualification (OQ) and consultation for user-specific applications may also be provided at the time of installation when ordered with the system, but should be contracted separately.

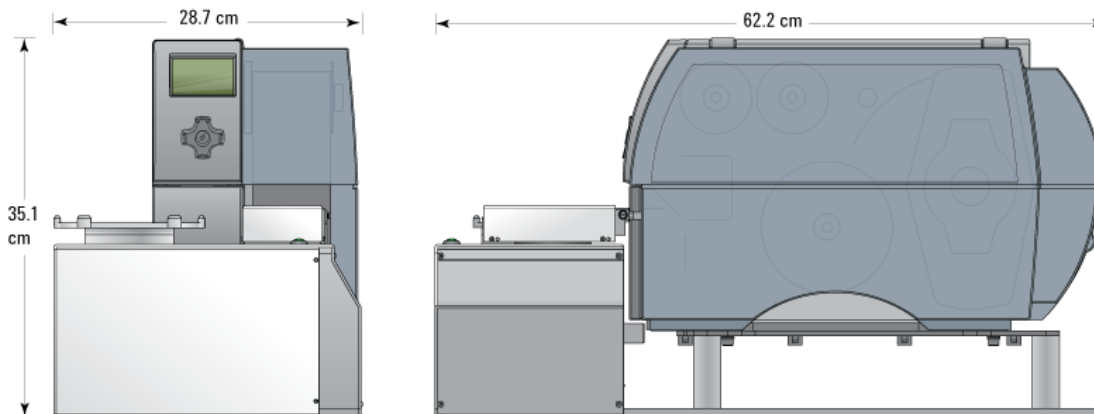
## Agilent G5404B/G Microplate Labeler Site Preparation Checklist



### Dimensions and Weight

Identify the laboratory bench space before your system arrives based on the table below.

Pay special attention to the **total height and total weight requirements for all system components you have ordered and avoid bench space with overhanging shelves**. Also pay special attention to the total weight of the modules you have ordered to ensure your laboratory bench can support this weight.



Instrument Description	Weight		Height		Depth		Width	
	Kg	lbs	cm	in	cm	in	cm	in
Microplate Labeler	21.0 Kg	47.0 lbs	35.1 cm	13.8 in	62.2 cm	24.5 in	28.7 cm	11.3 in
Microplate Labeler (with printer lid open)	21.0 Kg	47.0 lbs	48.8 cm	19.2 in	62.2 cm	24.5 in	28.7 cm	11.3 in



### Environmental Conditions

Operating your instrument within the recommended temperature ranges ensures optimum instrument performance and lifetime.

#### Special Notes

- Performance can be affected by sources of heat & cold, e.g., direct sunlight, heating/cooling from air conditioning outlets, drafts and/or vibrations.
- The Microplate Labeler is for indoor use only.

Instrument Description	Operating temperature range °C (F)	Operating humidity range (%)	Pollution degree	Installation category
Microplate Labeler	10- 35 °C	30- 85% RH, non-condensing	2	II

**Agilent G5404B/G Microplate Labeler  
Site Preparation Checklist**

**Power Consumption**
**Special Notes**

1. If a computer system is supplied with your instrument, be sure to account for those electrical outlets.

Instrument Description	Line Voltage & Frequency (V, Hz)	Maximum Power Consumption (VA)
Microplate Labeler	100–240 VAC @ 50/60 Hz	2.75 Amps


**Required Operating Supplies by Customer**

Item Description (including dimensions etc)	Vendor's Part Number (if applicable)	Recommended Quantity
<b>Media Kit:</b> Label roll adhesive labels Ribbon roll to image one label roll Used ribbon take-up spool for take-up hub Print head cleaning pen (multiuse) Media loading document (G5404B labeler only) <a href="http://www.agilent.com/en-us/products/automation-solutions/microplate-management-robotics/adhesive-labels">http://www.agilent.com/en-us/products/automation-solutions/microplate-management-robotics/adhesive-labels</a>	Agilent	Varies
<b>Compressed Air:</b> Required to move pneumatic components inside the device.  The compressed air can be from a centralized source (house), compressed-air cylinders, or portable pumps.  <b>Specifications:</b> - Clean, dry, compressed air - Flow rate: 1.2 Lps (2.5 cfm) - Pressure: 0.55 MPa (80 psi)  <b>CAUTION</b> Using oil compressors can cause introduce oil into the device and void your warranty		

## Agilent G5404B/G Microplate Labeler Site Preparation Checklist



### Other Requirements

#### Computer Requirements

The computer available from Agilent Technologies (G5880 64009) has the following specifications:

- HP Mobile Workstation: Intel® Core™ i7-4600M (2.9 GHz, 4 MB cache, 2 cores), 15.6" display (1920x1080), Windows 7 (64-bit) SP1 pre-installed, 8GB RAM, Intel Dual Band Wireless-AC 7260 802.11ac, USB Ethernet Adapter USB300M

#### Important Customer Web Links

- For additional information about Agilent automation solutions, please visit our web site at <http://www.agilent.com/en-us/products/automation-solutions>
- Need to get information on your product?
  - VWorks **Knowledge Base** - <http://www.agilent.com/chem/askb>
  - Agilent product page - <http://www.agilent.com/en-us/products/automation-solutions/microplate-management-robotics/microplate-barcode-labeler>
  - Literature Library - <http://www.agilent.com/en-us/library/literature>
- Need to know more?  
Customer Education – <http://www.agilent.com/chem/education>
- Need Support Services? - [www.agilent.com/crosslab](http://www.agilent.com/crosslab)
- Need supplies? – <http://www.agilent.com/chem/supplies>

Document part number: G5404-90010