

Agilent NovoCyte Flow Cytometer

Multi-Option Configuration Guide



The Agilent NovoCyte system provides versatility and flexibility with its multi-option optical configuration capabilities. Researchers can expand their detection capabilities to meet their experimental needs using the NovoCyte optical configuration tools. These tools are accessible through the NovoExpress software user interface. Standard or default instrument optical configurations can be changed and modified when needed with spare optical filters and dichroic mirrors.

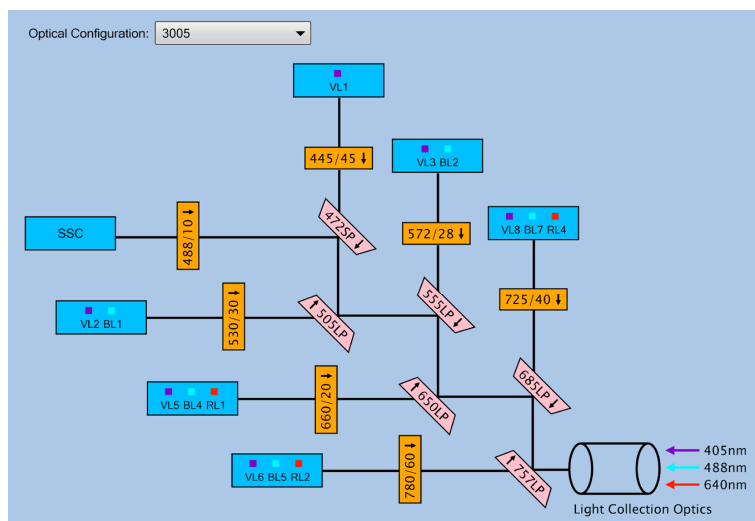
This guide provides an outline of the available configuration options for different models of the NovoCyte flow cytometer.

3005 model

The NovoCyte violet/blue/red system has a baseline configuration of three lasers (405, 488, and 640 nm) and six photomultiplier tubes (PMTs), with at least three red channels.

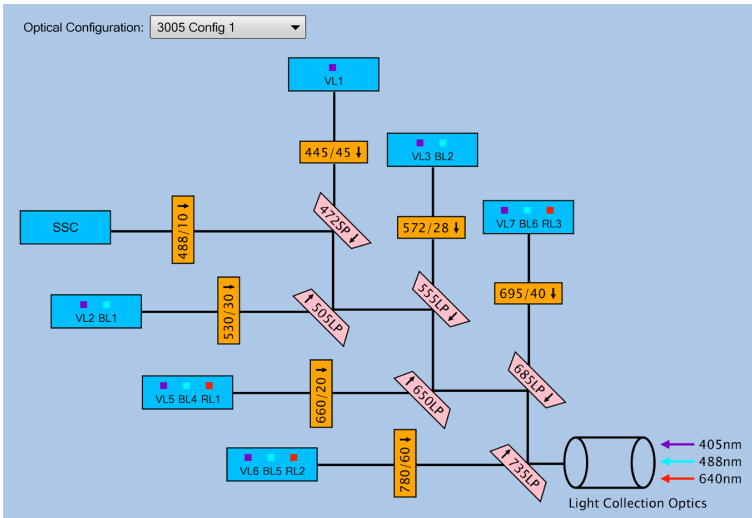
Default optical configuration

Detector	BP Filter	Dichroic Mirror	Laser		
			405 nm	488 nm	640 nm
1	445/45	472SP	Pacific Blue		
2	530/30	505LP	AmCyan	FITC	
3	572/28	555LP	Pacific Orange	PE	
4	660/20	650LP	Qdot 655	PE-Cy5	APC
5	725/40	685LP	Qdot 705	PerCP-eFluor 710	Alexa Fluor 700
6	780/60	757LP	Qdot 800	PE-Cy7	APC-Cy7
14 FL channels			6	5	3



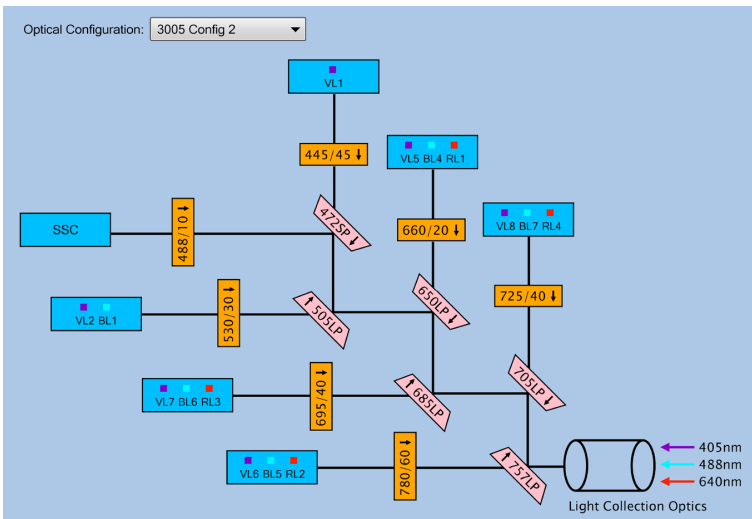
Optical configuration option 1

Detector	BP Filter	Dichroic Mirror	Laser		
			405 nm	488 nm	640 nm
1	445/45	472SP	Pacific Blue		
2	530/30	505LP	AmCyan	FITC	
3	572/28	555LP	Pacific Orange	PE	
4	660/20	650LP	Qdot 655	PE-Cy5	APC
5	695/40	685LP	Qdot 705	PE-Cy5.5	Alexa Fluor 700
6	780/60	735LP	Qdot 800	PE-Cy7	APC-Cy7
14 FL channels			6	5	3



Optical configuration option 2

Detector	BP Filter	Dichroic Mirror	Laser		
			405 nm	488 nm	640 nm
1	445/45	472SP	Pacific Blue		
2	530/30	505LP	AmCyan	FITC	
3	660/20	650LP	Qdot 655	PE-Cy5	APC
4	695/40	685LP	Qdot 705	PE-Cy5.5	Alexa Fluor 680
5	725/40	705LP	BV711	PerCP-eFluor 710	Alexa Fluor 700
6	780/60	757LP	Qdot 800	PE-Cy7	APC-Cy7
15 FL channels			6	5	4

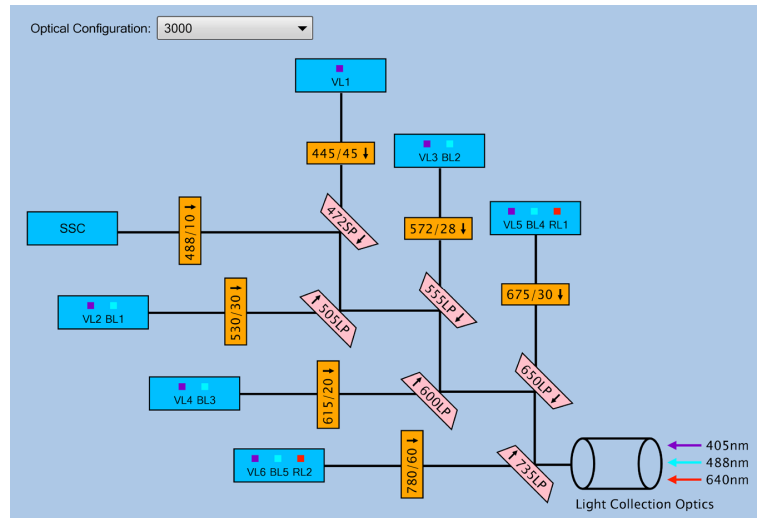


3000 model

The NovoCyte violet/blue/red system has a baseline configuration of three lasers (405, 488, and 640 nm) and six PMTs, with two red channels.

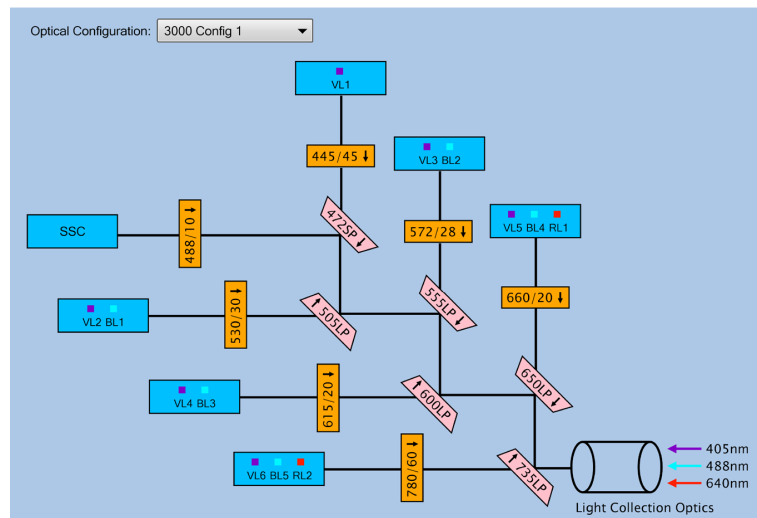
Default optical configuration

Detector	BP Filter	Dichroic Mirror	Laser		
			405 nm	488 nm	640 nm
1	445/45	472SP	Pacific Blue		
2	530/30	505LP	AmCyan	FITC	
3	572/28	555LP	Pacific Orange	PE	
4	615/20	600LP	Qdot 605	PE-Texas Red	
5	675/30	650LP	Qdot 655	PerCP	APC
6	780/60	735LP	Qdot 800	PE-Cy7	APC-Cy7
13 FL channels			6	5	2



Optical configuration option 1

Detector	BP Filter	Dichroic Mirror	Laser		
			405 nm	488 nm	640 nm
1	445/45	472SP	Pacific Blue		
2	530/30	505LP	AmCyan	FITC	
3	572/28	555LP	Pacific Orange	PE	
4	615/20	600LP	Qdot 605	PE-Texas Red	
5	660/20	650LP	Qdot 655	PE-Cy5	APC
6	780/60	735LP	Qdot 800	PE-Cy7	APC-Cy7
13 FL channels			6	5	2

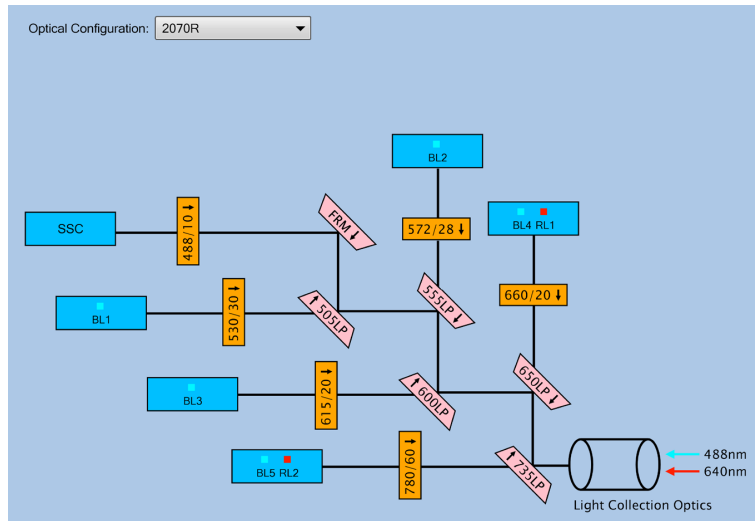


2070R model

The NovoCyte blue/red system has two lasers (488 and 640 nm) and five PMTs.

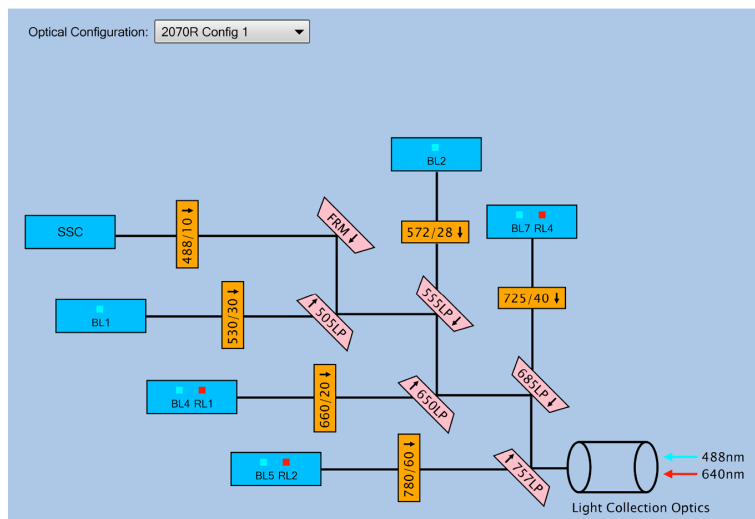
Default optical configuration

Detector	BP Filter	Dichroic Mirror	Laser	
			488 nm	640 nm
1	530/30	505LP	FITC	
2	572/28	555LP	PE	
3	615/20	600LP	PE-Texas Red	
4	675/30	650LP	PE-Cy5	APC
5	780/60	735LP	PE-Cy7	APC-Cy7
7 FL channels			5	2



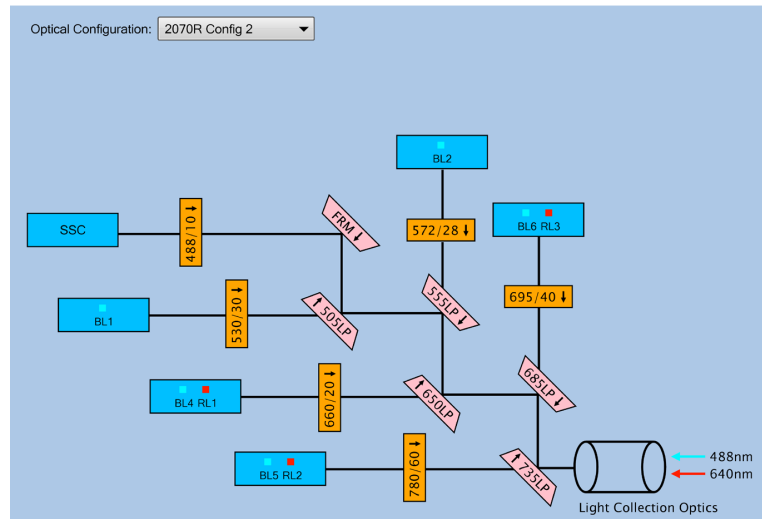
Optical configuration option 1

Detector	BP Filter	Dichroic Mirror	Laser	
			488 nm	640 nm
1	530/30	505LP	FITC	
2	572/28	555LP	PE	
3	660/20	650LP	PE-Cy5	APC
4	725/40	685LP	PerCP-eFluor 710	Alexa Fluor 700
5	780/60	757LP	PE-Cy7	APC-Cy7
8 FL channels			5	3



Optical configuration option 2

Detector	BP Filter	Dichroic Mirror	Laser	
			488 nm	640 nm
1	530/30	505LP	FITC	
2	572/28	555LP	PE	
3	660/20	650LP	PE-Cy5	APC
4	695/40	685LP	PE-Cy5.5	Alexa Fluor 700
5	780/60	735LP	PE-Cy7	APC-Cy7
8 FL channels			5	3

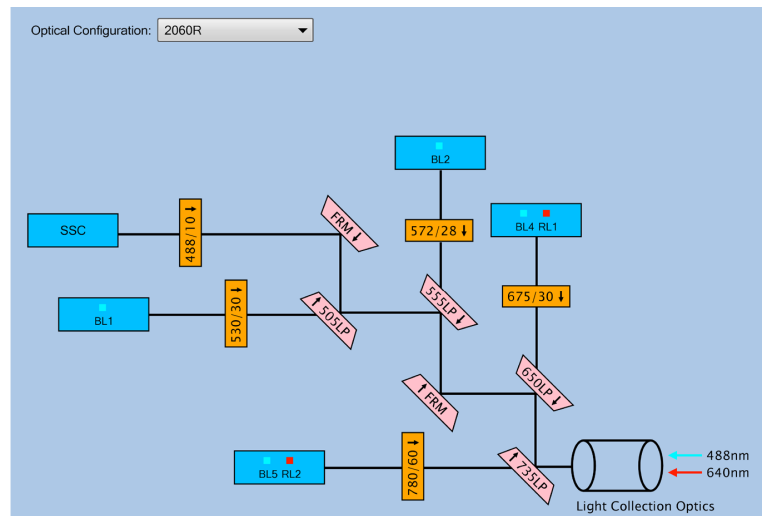


2060R model

The NovoCyte blue/red system has two lasers (488 and 640 nm) and four PMTs.

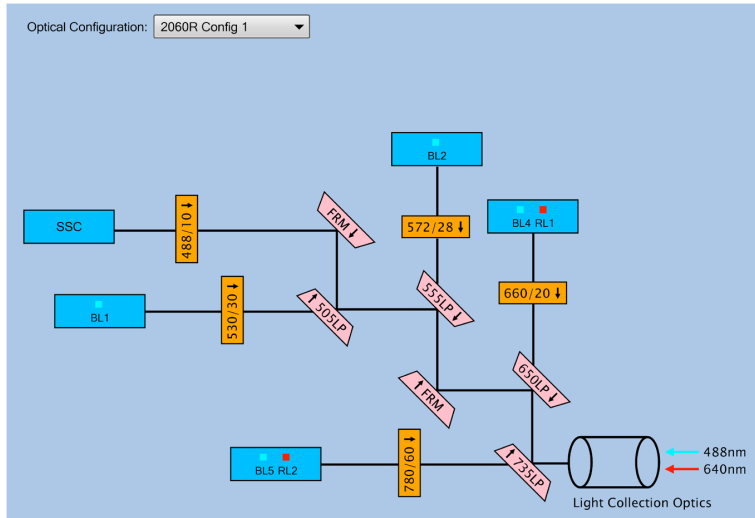
Default optical configuration

Detector	BP Filter	Dichroic Mirror	Laser	
			488 nm	640 nm
1	530/30	505LP	FITC	
2	572/28	555LP	PE	
3	675/30	650LP	PerCP	APC
4	780/60	735LP	PE-Cy7	APC-Cy7
6 FL channels			4	2



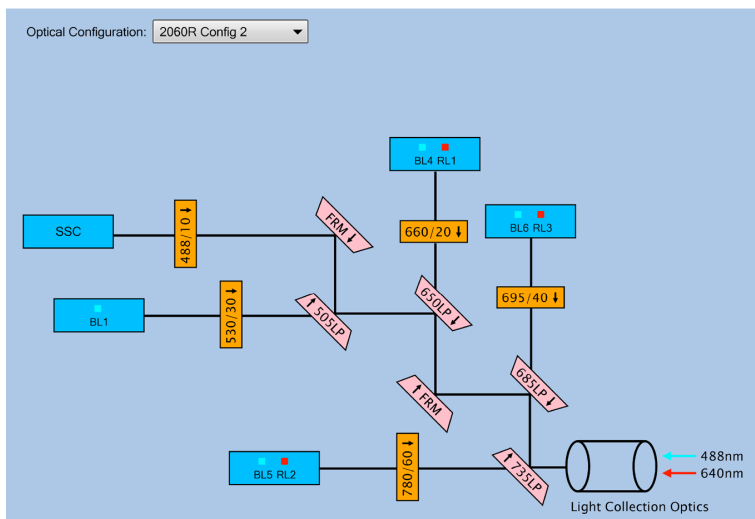
Optical configuration option 1

Detector	BP Filter	Dichroic Mirror	Laser	
			488 nm	640 nm
1	530/30	505LP	FITC	
2	572/28	555LP	PE	
3	660/20	650LP	PE-Cy5	APC
4	780/60	735LP	PE-Cy7	APC-Cy7
6 FL channels			4	2



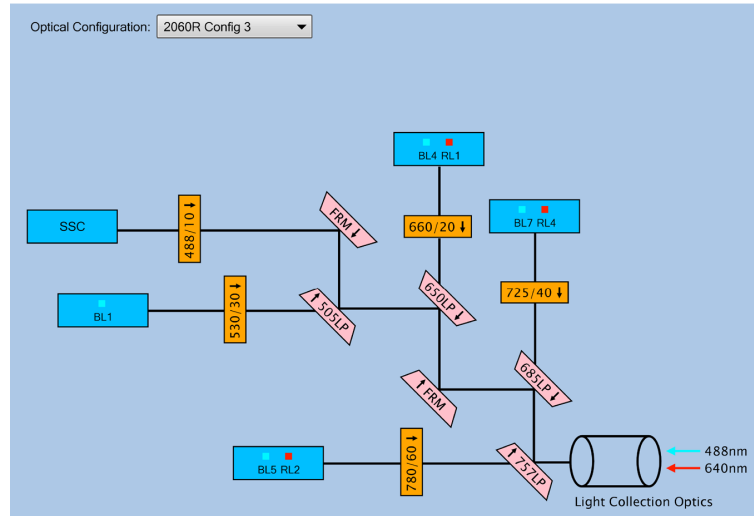
Optical configuration option 2

Detector	BP Filter	Dichroic Mirror	Laser	
			488 nm	640 nm
1	530/30	505LP	FITC	
2	660/20	650LP	PE-Cy5	APC
3	695/40	685LP	PE-Cy5.5	Alexa Fluor 700
4	780/60	735LP	PE-Cy7	APC-Cy7
7 FL channels			4	3



Optical configuration option 3

Detector	BP Filter	Dichroic Mirror	Laser	
			488 nm	640 nm
1	530/30	505LP	FITC	
2	660/20	650LP	PE-Cy5	APC
3	725/40	685LP	PerCP-eFluor 710	Alexa Fluor 700
4	780/60	757LP	PE-Cy7	APC-Cy7
7 FL channels			4	3

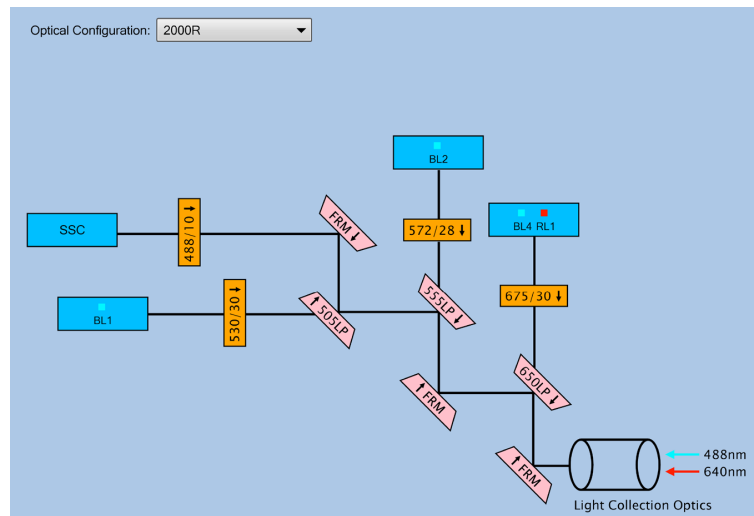


2000R model

The NovoCyte blue/red system has two lasers (488 and 640 nm) and three PMTs.

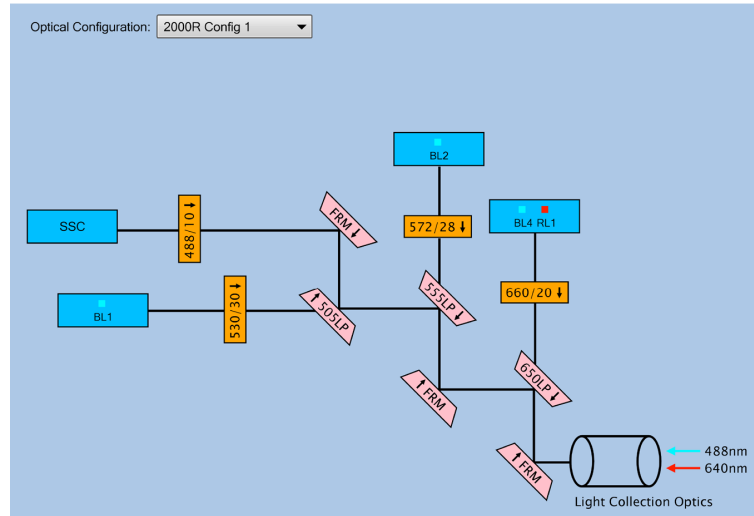
Default optical configuration

Detector	BP Filter	Dichroic Mirror	Laser	
			488 nm	640 nm
1	530/30	505LP	FITC	
2	572/28	555LP	PE	
3	675/30	650LP	PerCP	APC
4 FL channels			3	1



Optical configuration option 1

Detector	BP Filter	Dichroic Mirror	Laser	
			488 nm	640 nm
1	530/30	505LP	FITC	
2	572/28	555LP	PE	
3	660/20	650LP	PE-Cy5	APC
4 FL channels			3	1

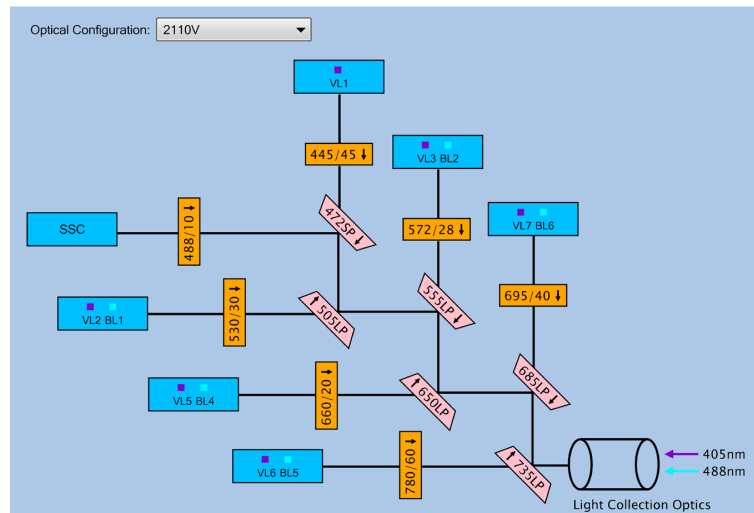


2110V model

The NovoCyte violet/blue system has two lasers (405 and 488 nm) and six PMTs.

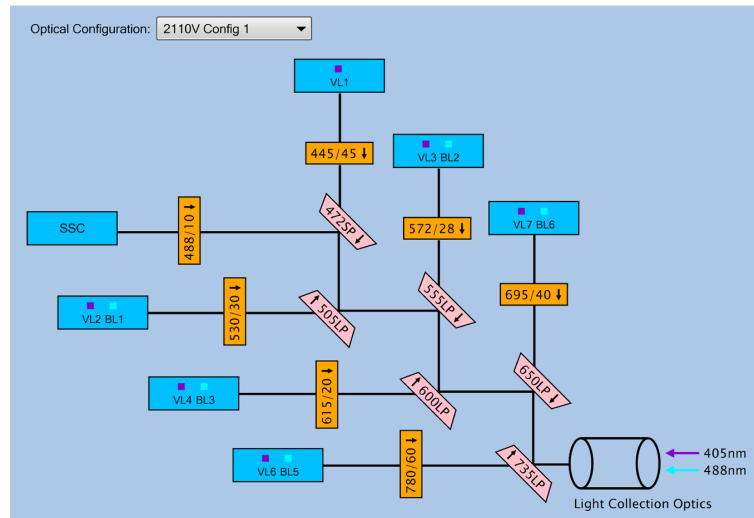
Default optical configuration

Detector	BP Filter	Dichroic Mirror	Laser	
			405 nm	488 nm
1	445/45	472SP	Pacific Blue	
2	530/30	505LP	AmCyan	FITC
3	572/28	555LP	Pacific Orange	PE
4	660/20	650LP	Qdot 605	PE-Cy5
5	695/40	685LP	Qdot 705	PE-Cy5.5
6	780/60	735LP	Qdot 800	PE-Cy7
11 FL channels			6	5



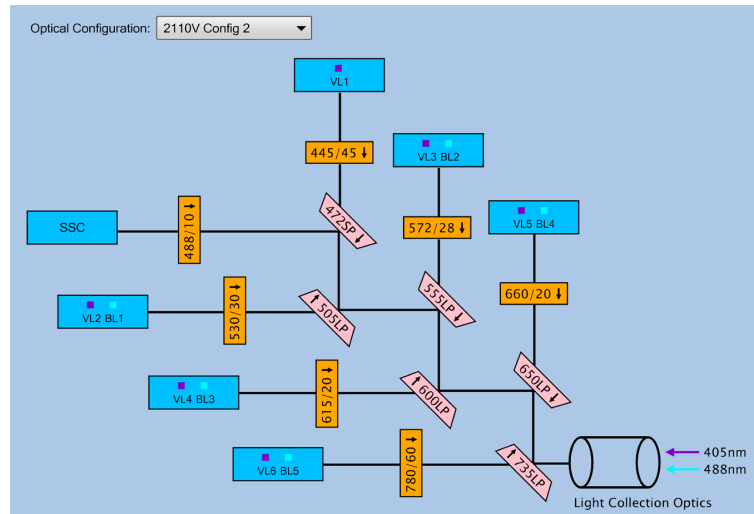
Optical configuration option 1

Detector	BP Filter	Dichroic Mirror	Laser	
			405 nm	488 nm
1	445/45	472SP	Pacific Blue	
2	530/30	505LP	AmCyan	FITC
3	572/28	555LP	Pacific Orange	PE
4	615/20	600LP	Qdot 605	PE-Texas Red
5	695/40	650LP	Qdot 705	PE-Cy5.5
6	780/60	735LP	Qdot 800	PE-Cy7
11 FL channels			6	5



Optical configuration option 2

Detector	BP Filter	Dichroic Mirror	Laser	
			405 nm	488 nm
1	445/45	472SP	Pacific Blue	
2	530/30	505LP	AmCyan	FITC
3	572/28	555LP	Pacific Orange	PE
4	615/20	600LP	Qdot 605	PE-Texas Red
5	660/20	650LP	Qdot 655	PE-Cy5
6	780/60	735LP	Qdot 800	PE-Cy7
11 FL channels			6	5

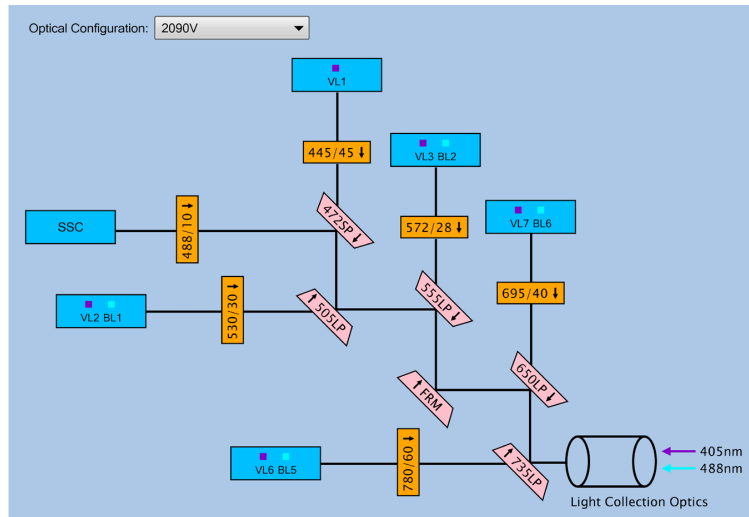


2090V model

The NovoCyte violet/blue system has two lasers (405 and 488 nm) and five PMTs.

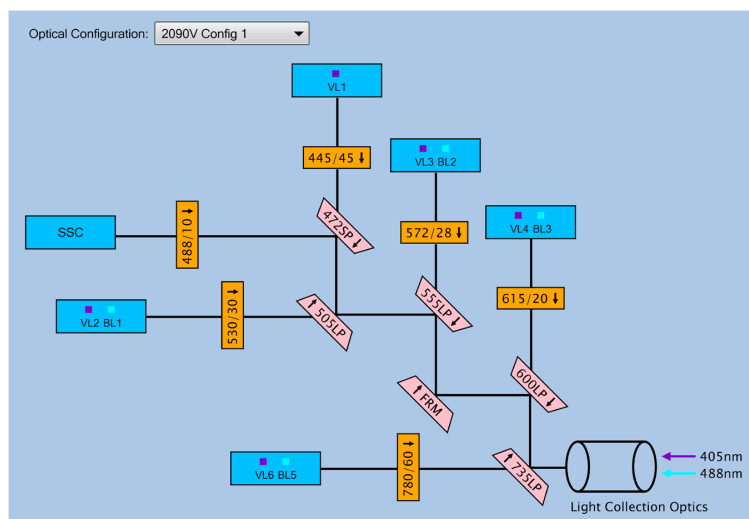
Default optical configuration

Detector	BP Filter	Dichroic Mirror	Laser	
			405 nm	488 nm
1	445/45	472SP	Pacific Blue	
2	530/30	505LP	AmCyan	FITC
3	572/28	555LP	Pacific Orange	PE
4	695/40	650LP	Qdot 705	PE-Cy5.5
5	780/60	735LP	Qdot 800	PE-Cy7
9 FL channels			5	4



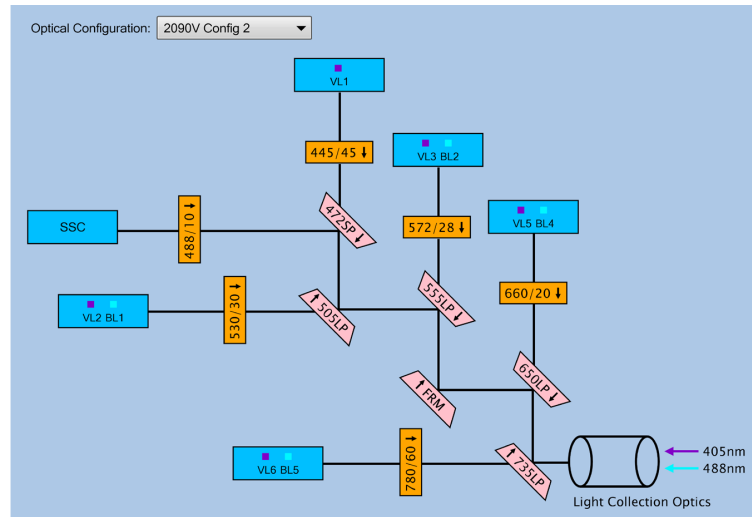
Optical configuration option 1

Detector	BP Filter	Dichroic Mirror	Laser	
			405 nm	488 nm
1	445/45	472SP	Pacific Blue	
2	530/30	505LP	AmCyan	FITC
3	572/28	555LP	Pacific Orange	PE
4	615/20	600LP	Qdot 605	PE-Texas Red
5	780/60	735LP	Qdot 800	PE-Cy7
9 FL channels			5	4



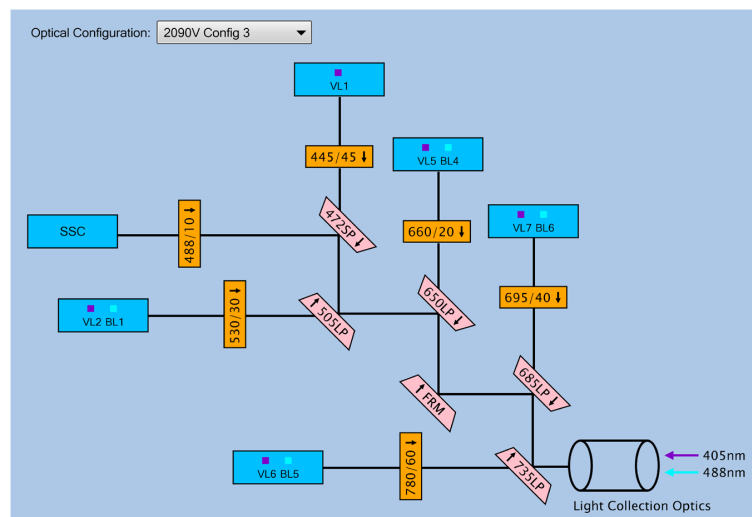
Optical configuration option 2

Detector	BP Filter	Dichroic Mirror	Laser	
			405 nm	488 nm
1	445/45	472SP	Pacific Blue	
2	530/30	505LP	AmCyan	FITC
3	572/28	555LP	Pacific Orange	PE
4	660/20	650LP	Qdot 655	PE-Cy5
5	780/60	735LP	Qdot 800	PE-Cy7
9 FL channels			5	4



Optical configuration option 3

Detector	BP Filter	Dichroic Mirror	Laser	
			405 nm	488 nm
1	445/45	472SP	Pacific Blue	
2	530/30	505LP	AmCyan	FITC
3	572/28	555LP	Qdot 655	PE-Cy5
4	695/40	685LP	Qdot 705	PE-Cy5.5
5	780/60	735LP	Qdot 800	PE-Cy7
9 FL channels			5	4

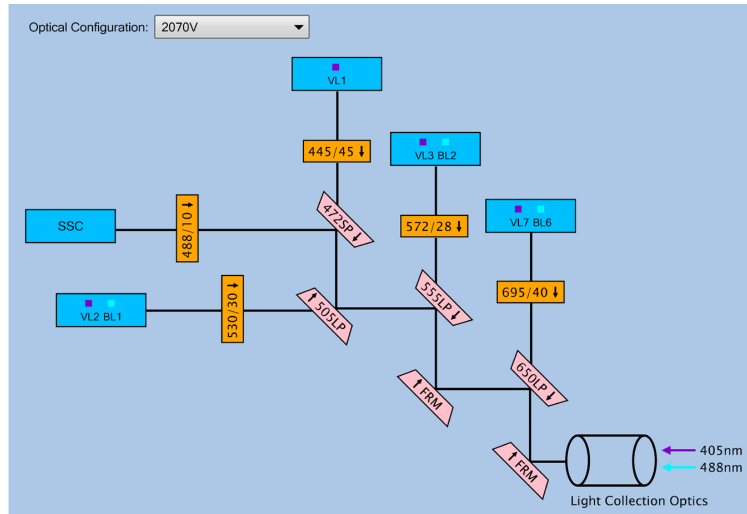


2070V model

The NovoCyte violet/blue system has two lasers (405 and 488 nm) and four PMTs.

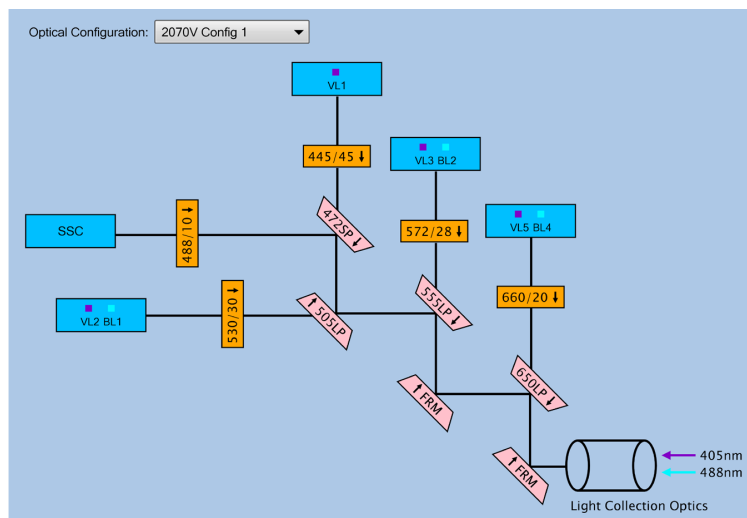
Default optical configuration

Detector	BP Filter	Dichroic Mirror	Laser	
			405 nm	488 nm
1	445/45	472SP	Pacific Blue	
2	530/30	505LP	AmCyan	FITC
3	572/28	555LP	Pacific Orange	PE
4	695/40	650LP	Qdot 705	PE-Cy5.5
7 FL channels			4	3



Optical configuration option 1

Detector	BP Filter	Dichroic Mirror	Laser	
			405 nm	488 nm
1	445/45	472SP	Pacific Blue	
2	530/30	505LP	AmCyan	FITC
3	572/28	555LP	Pacific Orange	PE
4	660/20	650LP	Qdot 655	PE-Cy5
7 FL channels			4	3

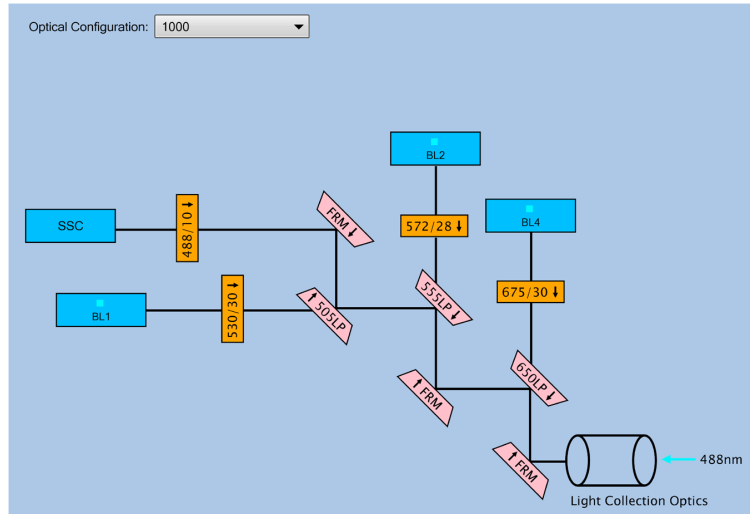


1000 model

The NovoCyte blue system has one laser (488 nm) and three PMTs.

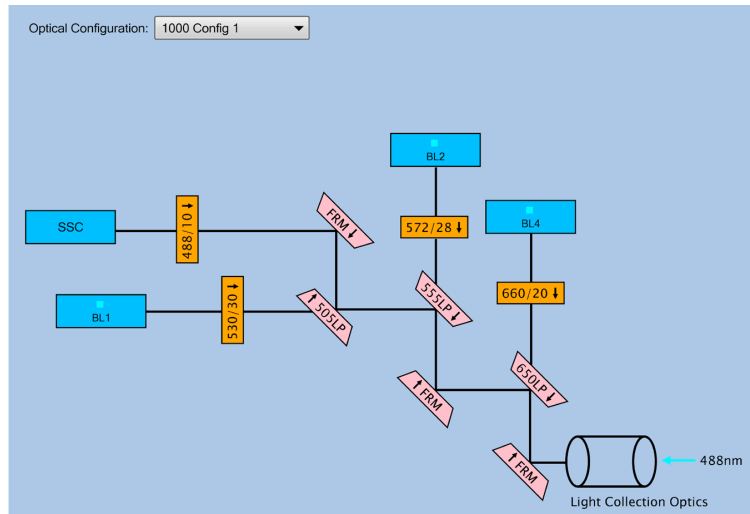
Default optical configuration

Detector	BP Filter	Dichroic Mirror	Laser
			488 nm
1	530/30	505LP	FITC
2	572/28	555LP	PE
3	675/30	650LP	PerCP
3 FL channels			3



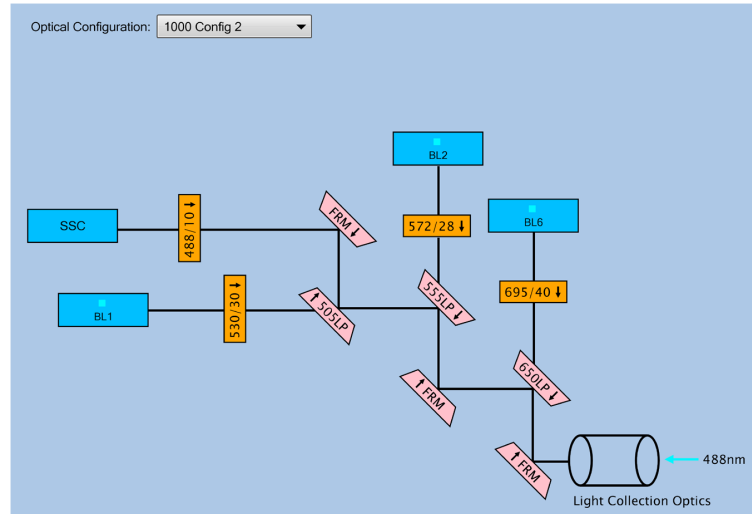
Optical configuration option 1

Detector	BP Filter	Dichroic Mirror	Laser
			488 nm
1	530/30	505LP	FITC
2	572/28	555LP	PE
3	660/20	650LP	PE-Cy5
3 FL channels			3



Optical configuration option 2

Detector	BP Filter	Dichroic Mirror	Laser
			488 nm
1	530/30	505LP	FITC
2	572/28	555LP	PE
3	695/40	650LP	PE-Cy5.5
3 FL channels			3

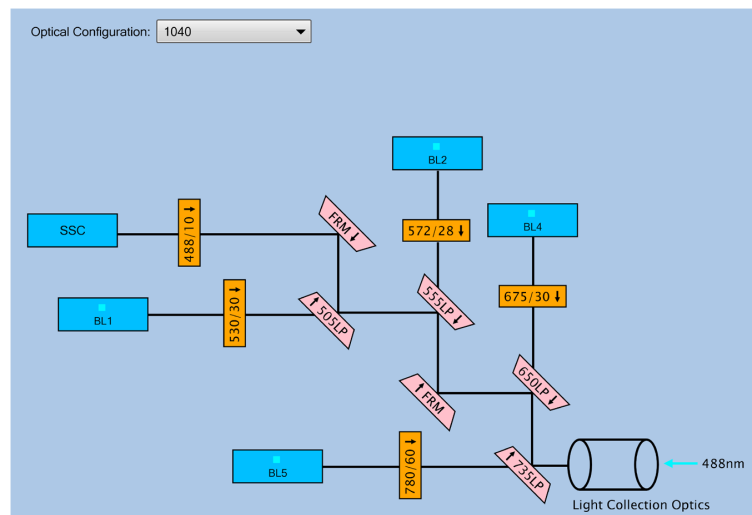


1040 model

The NovoCyte blue system has one laser (488 nm) and four PMTs.

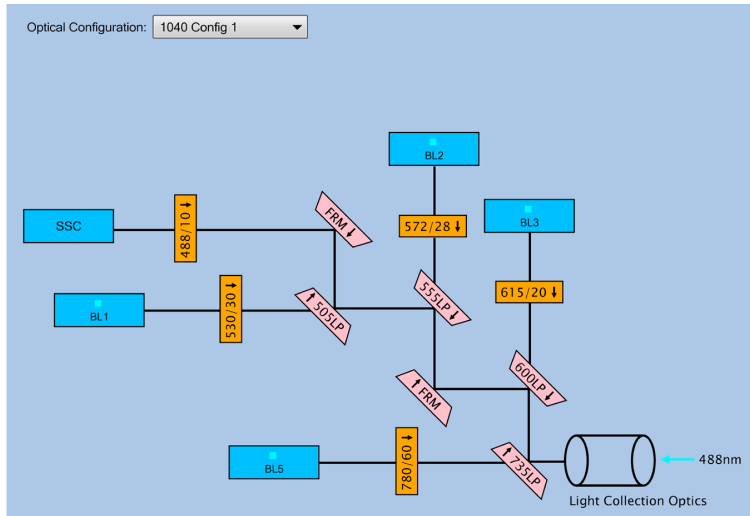
Default optical configuration

Detector	BP Filter	Dichroic Mirror	Laser
			488 nm
1	530/30	505LP	FITC
2	572/28	555LP	PE
3	675/30	650LP	PerCP
4	780/60	735LP	PE-Cy7
4 FL channels			4



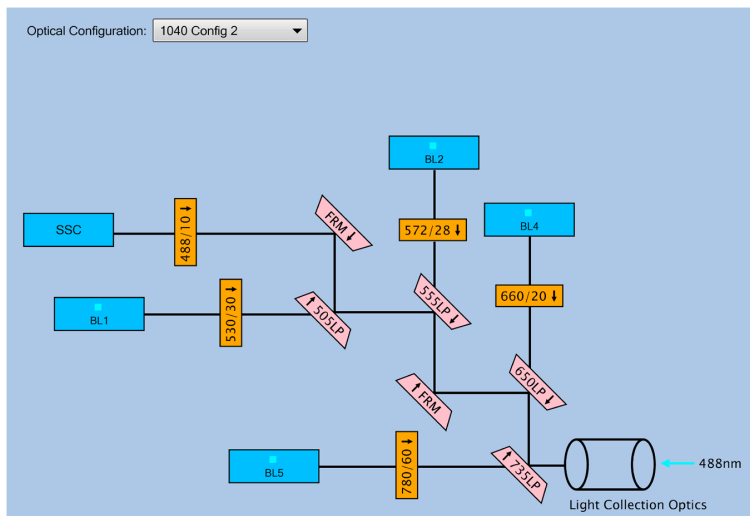
Optical configuration option 1

Detector	BP Filter	Dichroic Mirror	Laser
			488 nm
1	530/30	505LP	FITC
2	572/28	555LP	PE
3	615/20	600LP	PE-Texas Red
4	780/60	735LP	PE-Cy7
4 FL channels			4



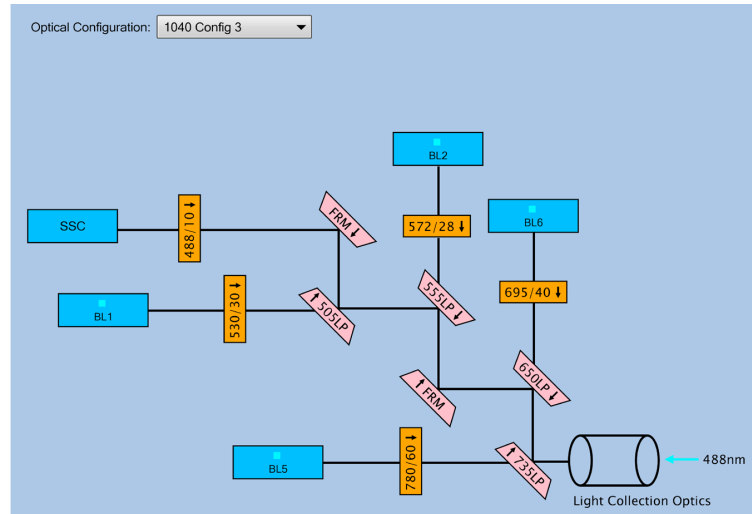
Optical configuration option 2

Detector	BP Filter	Dichroic Mirror	Laser
			488 nm
1	530/30	505LP	FITC
2	572/28	555LP	PE
3	660/20	650LP	PE-Cy5
4	780/60	735LP	PE-Cy7
4 FL channels			4



Optical configuration option 3

Detector	BP Filter	Dichroic Mirror	Laser
			488 nm
1	530/30	505LP	FITC
2	572/28	555LP	PE
3	695/40	650LP	PE-Cy5.5
4	780/60	735LP	PE-Cy7
4 FL channels			4

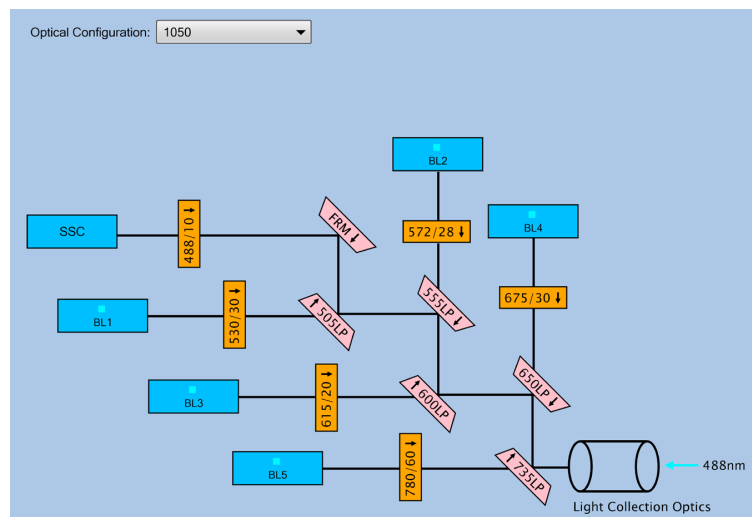


1050 model

The NovoCyte blue system has one laser (488 nm) and five PMTs.

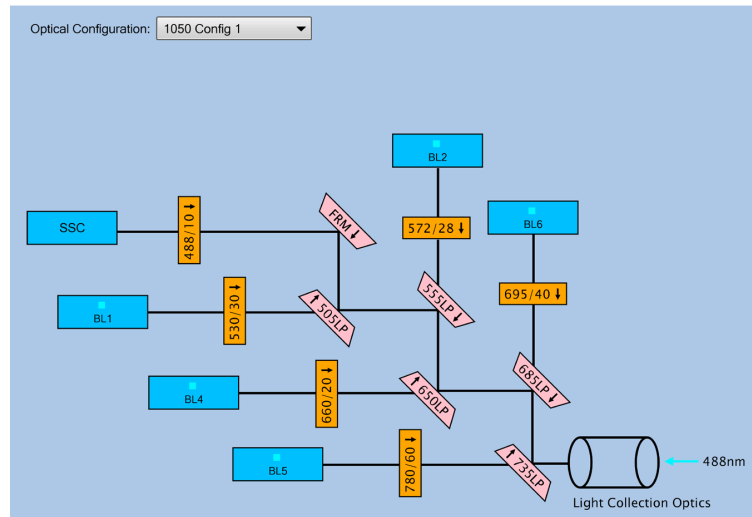
Default optical configuration

Detector	BP Filter	Dichroic Mirror	Laser
			488 nm
1	530/30	505LP	FITC
2	572/28	555LP	PE
3	615/20	600LP	PE-Texas Red
4	675/30	650LP	PerCP
5	780/60	735LP	PE-Cy7
5 FL channels			5



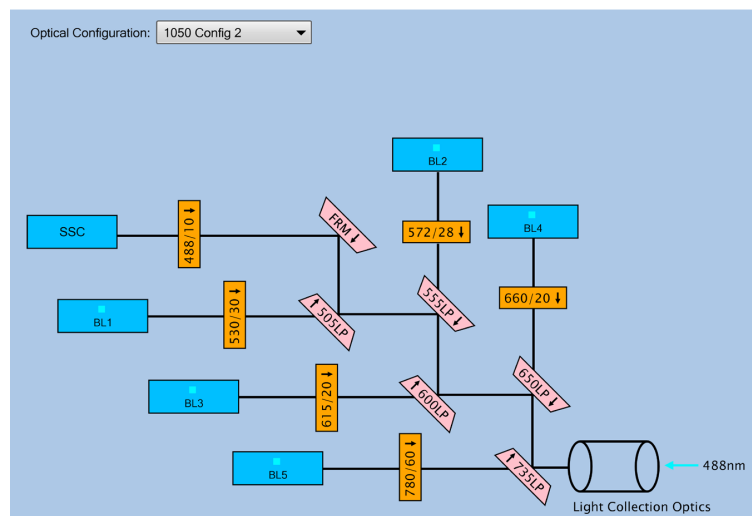
Optical configuration option 1

Detector	BP Filter	Dichroic Mirror	Laser
			488 nm
1	530/30	505LP	FITC
2	572/28	555LP	PE
3	660/20	650LP	PE-Cy5
4	695/40	680LP	PE-Cy5.5
5	780/60	735LP	PE-Cy7
5 FL channels			5



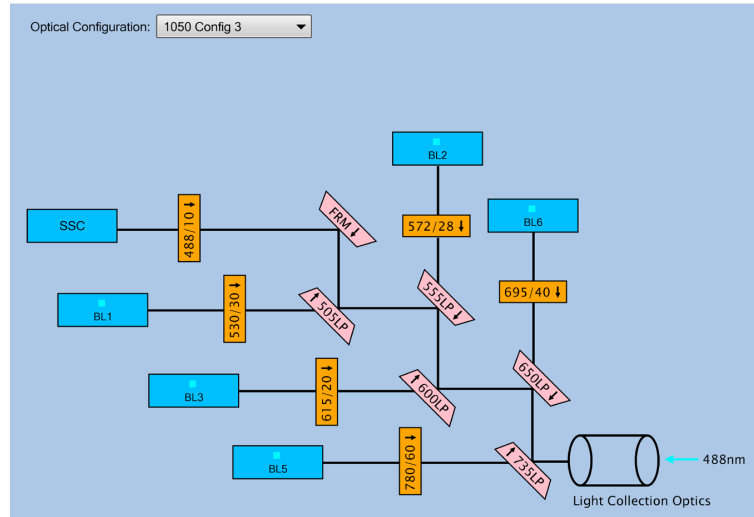
Optical configuration option 2

Detector	BP Filter	Dichroic Mirror	Laser
			488 nm
1	530/30	505LP	FITC
2	572/28	555LP	PE
3	615/20	600LP	PE-Texas Red
4	660/20	650LP	PE-Cy5
5	780/60	735LP	PE-Cy7
5 FL channels			5



Optical configuration option 3

Detector	BP Filter	Dichroic Mirror	Laser
			488 nm
1	530/30	505LP	FITC
2	572/28	555LP	PE
3	615/20	600LP	PE-Texas Red
4	660/20	650LP	PE-Cy5
5	780/60	735LP	PE-Cy7
5 FL channels			5

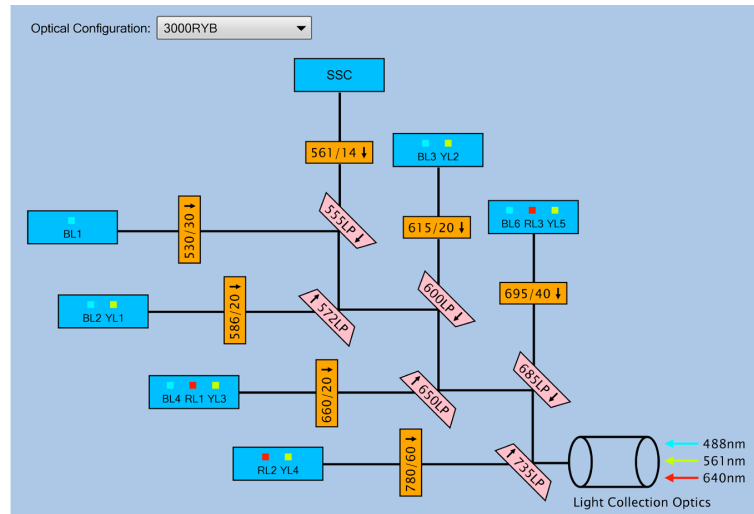


3000RYB model

The NovoCyte red/yellow/blue system has three lasers (640, 561, and 488 nm) and six PMTs.

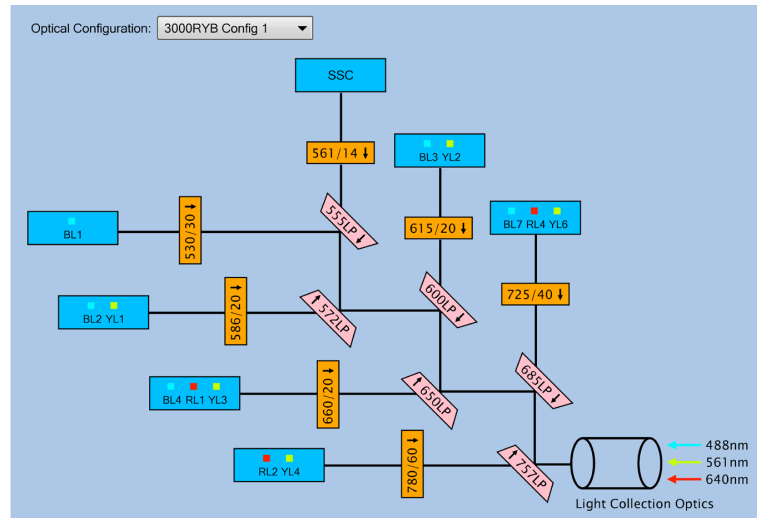
Default optical configuration

Detector	BP Filter	Dichroic Mirror	Laser		
			488 nm	561 nm	640 nm
1	530/30	-	FITC		
2	586/20	572LP	EYFP	PE	
3	615/20	600LP	PI	PE-Texas Red	
4	660/20	650LP	PerCP	PE-Cy5	APC
5	695/40	685LP	PerCP-Cy5.5	PE-Cy5.5	Alexa Fluor 700
6	780/60	735LP		PE-Cy7	APC-Cy7
13 FL channels			5	5	3



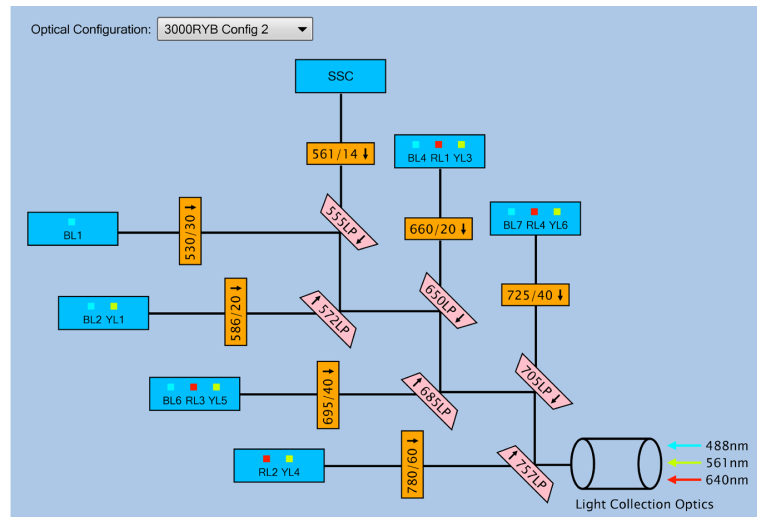
Optical configuration option 1

Detector	BP Filter	Dichroic Mirror	Laser		
			488 nm	561 nm	640 nm
1	530/30	-	FITC		
2	586/20	572LP	EYFP	PE	
3	615/20	600LP	PI	PE-Texas Red	
4	660/20	650LP	PerCP	PE-Cy5	APC
5	725/40	685LP	PerCP-eFluor 710	PE-Alexa Fluor 700	Alexa Fluor 700
6	780/60	757LP		PE-Cy7	APC-Cy7
13 FL channels			5	5	3



Optical configuration option 2

Detector	BP Filter	Dichroic Mirror	Laser		
			488 nm	561 nm	640 nm
1	530/30	-	FITC		
2	586/20	572LP	EYFP	PE	
3	660/20	650LP	PerCP	PE-Cy5	APC
4	695/40	685LP	PerCP-Cy5.5	PE-Cy5.5	Alexa Fluor 680
5	725/40	705LP	PerCP-eFluor 710	PE-Alexa Fluor 700	Alexa Fluor 700
6	780/60	757LP		PE-Cy7	APC-Cy7
14 FL channels			5	5	4

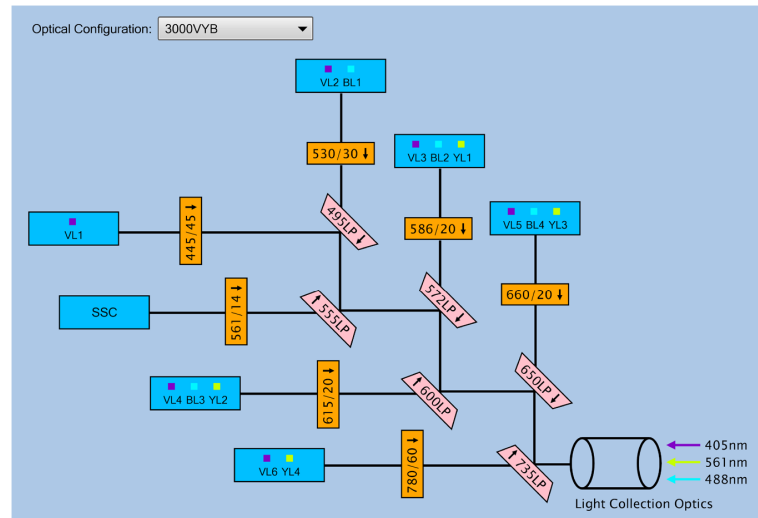


3000VYB model

The NovoCyte violet/yellow/blue system has three lasers (405, 561, and 488 nm) and six PMTs.

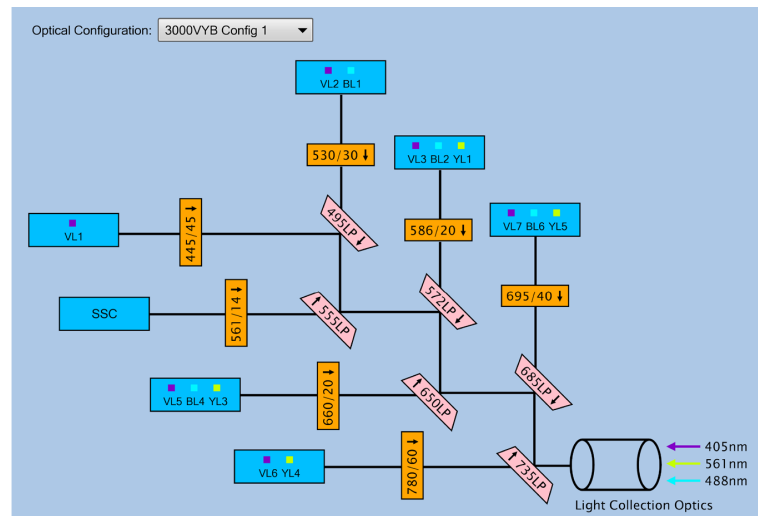
Default optical configuration

Detector	BP Filter	Dichroic Mirror	Laser		
			405 nm	561 nm	488 nm
1	445/45	-	Pacific Blue		
2	530/30	495LP	AmCyan		FTIC
3	586/20	572LP	Pacific Orange	PE	EYFP
4	615/20	600LP	Qdot 605	PE-Texas Red	PI
5	660/20	650LP	Qdot 655	PE-Cy5	PerCP
6	780/60	735LP	Qdot 800	PE-Cy7	
14 FL channels			6	4	4



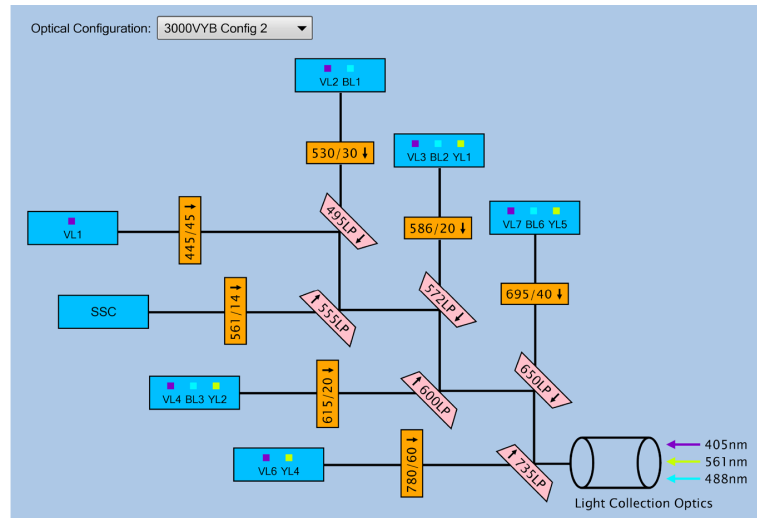
Optical configuration option 1

Detector	BP Filter	Dichroic Mirror	Laser		
			405 nm	561 nm	488 nm
1	445/45	-	Pacific Blue		
2	530/30	495LP	AmCyan		FTIC
3	586/20	572LP	Pacific Orange	PE	EYFP
4	660/20	650LP	Qdot 605	PE-Cy5	PerCP
5	695/40	685LP	Qdot 705	PE-Cy5.5	PerCP-Cy5.5
6	780/60	735LP	Qdot 800	PE-Cy7	
14 FL channels			6	4	4



Optical configuration option 2

Detector	BP Filter	Dichroic Mirror	Laser		
			405 nm	561 nm	488 nm
1	445/45	-	Pacific Blue		
2	530/30	495LP	AmCyan		FTIC
3	586/20	572LP	Pacific Orange	PE	EYFP
4	615/20	600LP	Qdot 605	PE-Texas Red	PI
5	695/40	650LP	Qdot 705	PE-Cy5.5	PerCP-Cy5.5
6	780/60	735LP	Qdot 800	PE-Cy7	
14 FL channels			6	4	4

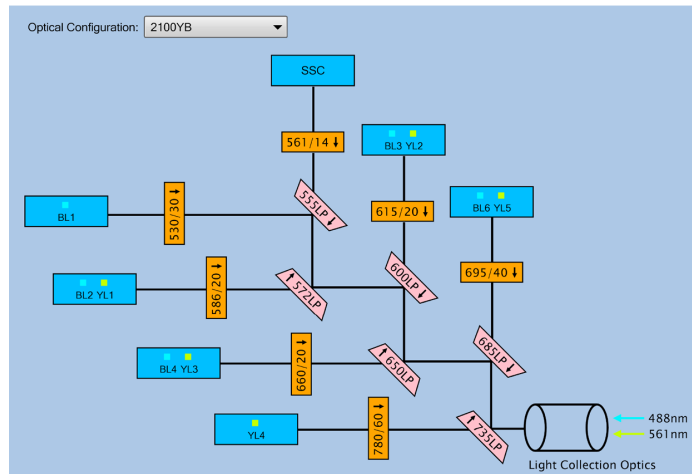


2100YB model

The NovoCyte yellow/blue system has two lasers (561 and 488 nm) and six PMTs.

Default optical configuration

Detector	BP Filter	Dichroic Mirror	Laser	
			488 nm	561 nm
1	530/30	495LP	FITC	
2	586/20	572LP	EYFP	PE
3	615/20	600LP	PI	PE-Texas Red
4	660/20	650LP	PerCP	PE-Cy5
5	695/40	685LP	PerCP-Cy5.5	PE-Cy5.5
6	780/60	735LP		PE-Cy7
10 FL channels			5	5

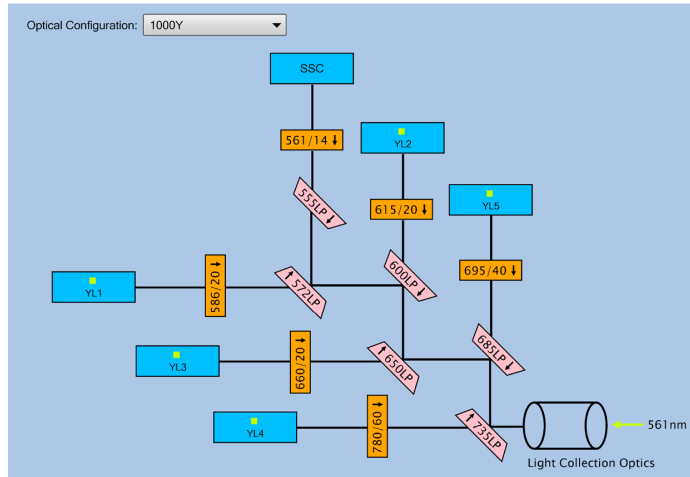


1000Y model

The NovoCyte yellow system has one laser (561 nm) and five PMTs.

Default optical configuration

Detector	BP Filter	Dichroic Mirror	Lasers
			561 nm
1	586/20	572LP	PE
2	615/20	600LP	PE-Texas Red
3	660/20	650LP	PE-Cy5
4	695/40	685LP	PE-Cy5.5
5	780/60	735LP	PE-Cy7
5 FL channels			5



This information is subject to change without notice.

RA44505.5167476852

© Agilent Technologies, Inc. 2021
Published in the USA, November 22, 2021
5994-4185EN