

Agilent G3485A Third Detector Box

For the Agilent 7890A Gas Chromatograph Installation Instructions

Parts Supplied

Table 1 Parts supplied

Description	Quantity
Third detector box assembly	1
Flow module back-up plate	1
Screw, M4 × 0.7 25mm (2-for flow frame top, 1-for flow module backup plate)	3
Screw, machine, M4 × 0.7 12mm (4-for flow frame bottom, 3- for flow module backup plate)	7



Tools Required

- T-20 Torx drivers

Installation Procedure

This procedure explains how to install the third detector box on the Agilent 7890A Gas Chromatograph (GC).

WARNING

Refer to the Safety Manual that came with your Agilent 7890A Gas Chromatograph for hazards that may exist when maintaining your instrument.

Prepare the GC

- 1 Turn off the GC and unplug the power cord.
- 2 Unsnap the pneumatics cover by pressing the black clips on the sides of the cover. Lift the cover up and off.
- 3 Remove the left side cover by loosening the two top screws, sliding the panel towards rear, and lifting the cover off. This cover and fastening screws will no longer be used when the G3485A Third Detector Box is installed on the GC.

Remove the 3rd detector box side cover

- 1 Remove the two M4 x 0.7 10mm long flathead screws from the bottom of the 3rd detector box side cover.
- 2 Remove the cover by lifting it off. Save the cover and screws to reattach the cover when the new equipment is installed inside the box. Do not plug in the GC without the box side cover plate installed.

Optionally install the flow module back-up plate

Please skip this section unless you are adding a manual flow regulator in the upper position of the third detector box. This bracket can interfere with the installation of other Agilent accessories.

- 1 Carefully remove the gray label plate covering the regulator opening in the top front location of the plastic bezel. Try using your thumb to push out the label from the regulator opening of the plastic bezel inside the detector box.
- 2 Place the flow module back-up plate at the top inside regulator position of the plastic bezel and secure with (3) M4 x 12mm screws through the bezel. This installation is similar to the factory installed back-up plate at the lower regulator position in the bezel.

- 3 Attach the side bracket of the flow module back-up plate to the stand-off using an M4 x 25 mm screw.
- 4 Attach the previously removed gray label plate to the front bezel.

Attach the third detector flow frame

- 1 Orient the third detector box with the GC by positioning the circular cutouts at the bottom edge of the frame with the four screw holes at bottom edge of the GC.
- 2 Using a Torx driver, attach the frame first with two M4 × 0.7 × 25mm long screws at the top edge of the frame and then with four M4 × 0.7 × 12mm long screws through the circular cut outs at the bottom edge of the frame.

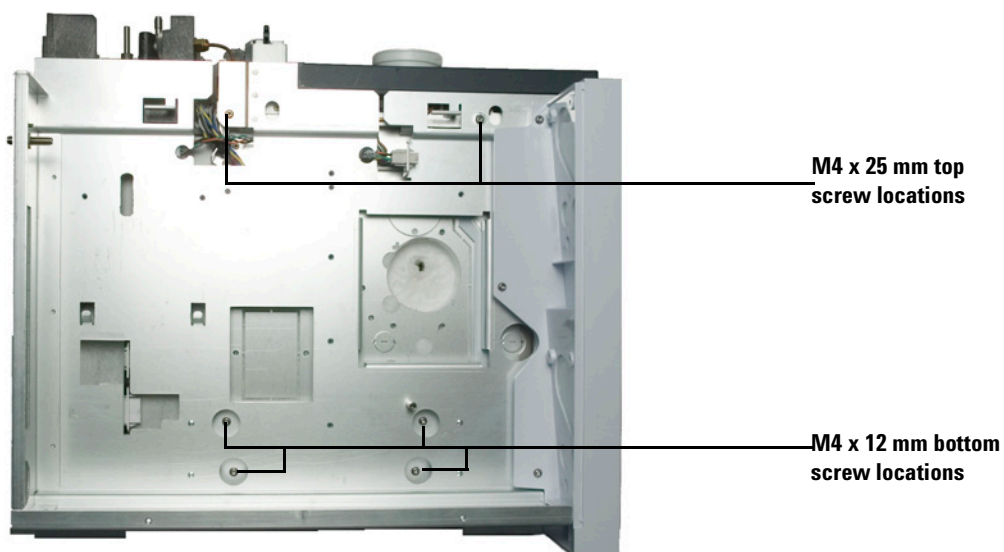


Figure 1 Third detector flow frame mounted to GC

Restore the GC to operating condition

- 1 Install the third detector side cover using two M4 × 10mm long Torx flathead screws.
- 2 Replace the top panel.
- 3 Plug in the GC and turn on the power.



Warranty

The material contained in this document is provided "as is," and is subject to being changed, without notice, in future editions. Further, to the maximum extent permitted by applicable law, Agilent disclaims all warranties, either express or implied, with regard to this manual and any information contained herein, including but not limited to the implied warranties of merchantability and fitness for a particular purpose. Agilent shall not be liable for errors or for incidental or consequential damages in connection with the furnishing, use, or performance of this document or of any information contained herein. Should Agilent and the user have a separate written agreement with warranty terms covering the material in this document that conflict with these terms, the warranty terms in the separate agreement shall control.

© Agilent Technologies, Inc. 2007
Printed in USA and China
First edition, July 2007
Agilent Technologies, Inc.
2850 Centerville Road
Wilmington, DE 19808-1610 USA

安捷伦科技(上海)有限公司
上海市浦东新区外高桥保税区
英伦路412号
联系电话:(800)820 3278



G3485-90010