

O-Ring/Gasket kit (Organics)

This kit includes fluorocarbon O-rings for use in the Agilent organic solvent spray chamber. These have a greater resistance to organic solvents than conventional O-rings. The remaining O-rings are standard spares for the remainder of the nebulizer/burner system.



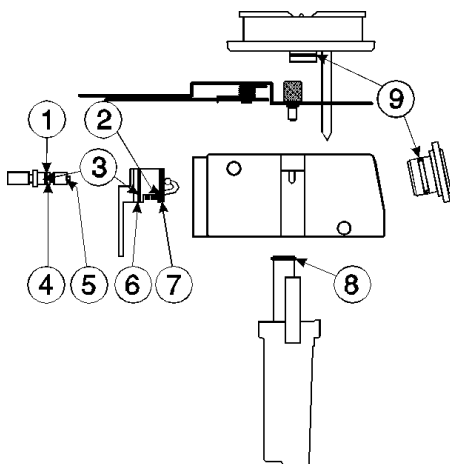
Warning

The standard O-rings supplied for the standard spray chamber are not recommended for use in the organic solvent spray chamber.

Use of the standard O-ring can create explosion and fire hazards that can cause death or injury to personnel, and damage to equipment and property.

The table describes the O-rings, and the diagram shows their position. Note that item number 10 is for the Mark V burner rotation collar.

Fluorocarbon O-rings are white, the others are black.



No.	Position	Material	I.D.	O.D.	dia.
1	capillary holder	nitrile	0.74 mm x 1.02 mm thick		
2	glass bead	fluorocarbon	3/16 in.	5/16 in.	1/16 in.
3	glass bead screw capillary guide	nitrile	3/16 in.	5/16 in.	1/16 in.
4	nebulizer body	nitrile	3/8 in.	1/2 in.	1/16 in.
5	nebulizer venturi	fluorocarbon	1/4 in.	3/8 in.	1/16 in.
6	nebulizer bung	nitrile	1 1/4 in.	3/8 in.	1/16 in.
7	nebulizer bung	fluorocarbon	1 1/8 in.	1/4 in.	1/16 in.
8	drain (Mk VI only)	nitrile	11/16 in.	13/16 in.	1/16 in.
9	burner bowl explosion bung	fluorocarbon	15/16 in.	1/8 in.	3/32 in.
10	burner rotation collar	viton	1 in.	1 3/16 in.	3/32 in.

© Agilent Technologies 1999, 2010
Publication No. 8510061300 11/10



O-Ring/Gasket kit (Organics)

This kit includes fluorocarbon O-rings for use in the Agilent organic solvent spray chamber. These have a greater resistance to organic solvents than conventional O-rings. The remaining O-rings are standard spares for the remainder of the nebulizer/burner system.



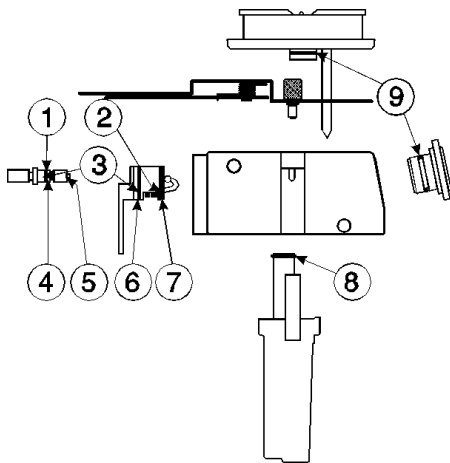
Warning

The standard O-rings supplied for the standard spray chamber are not recommended for use in the organic solvent spray chamber.

Use of the standard O-ring can create explosion and fire hazards that can cause death or injury to personnel, and damage to equipment and property.

The table describes the O-rings, and the diagram shows their position. Note that item number 10 is for the Mark V burner rotation collar.

Fluorocarbon O-rings are white, the others are black.



No.	Position	Material	I.D.	O.D.	dia.
1	capillary holder	nitrile	0.74 mm x 1.02 mm thick		
2	glass bead	fluorocarbon	3/16 in.	5/16 in.	1/16 in.
3	glass bead screw capillary guide	nitrile	3/16 in.	5/16 in.	1/16 in.
4	nebulizer body	nitrile	3/8 in.	1/2 in.	1/16 in.
5	nebulizer venturi	fluorocarbon	1/4 in.	3/8 in.	1/16 in.
6	nebulizer bung	nitrile	1 1/4 in.	3/8 in.	1/16 in.
7	nebulizer bung	fluorocarbon	1 1/8 in.	1/4 in.	1/16 in.
8	drain (Mk VI only)	nitrile	11/16 in.	13/16 in.	1/16 in.
9	burner bowl explosion bung	fluorocarbon	15/16 in.	1/8 in.	3/32 in.
10	burner rotation collar	viton	1 in.	1 3/16 in.	3/32 in.

© Agilent Technologies 1999, 2010
Publication No. 8510061300 11/10

