

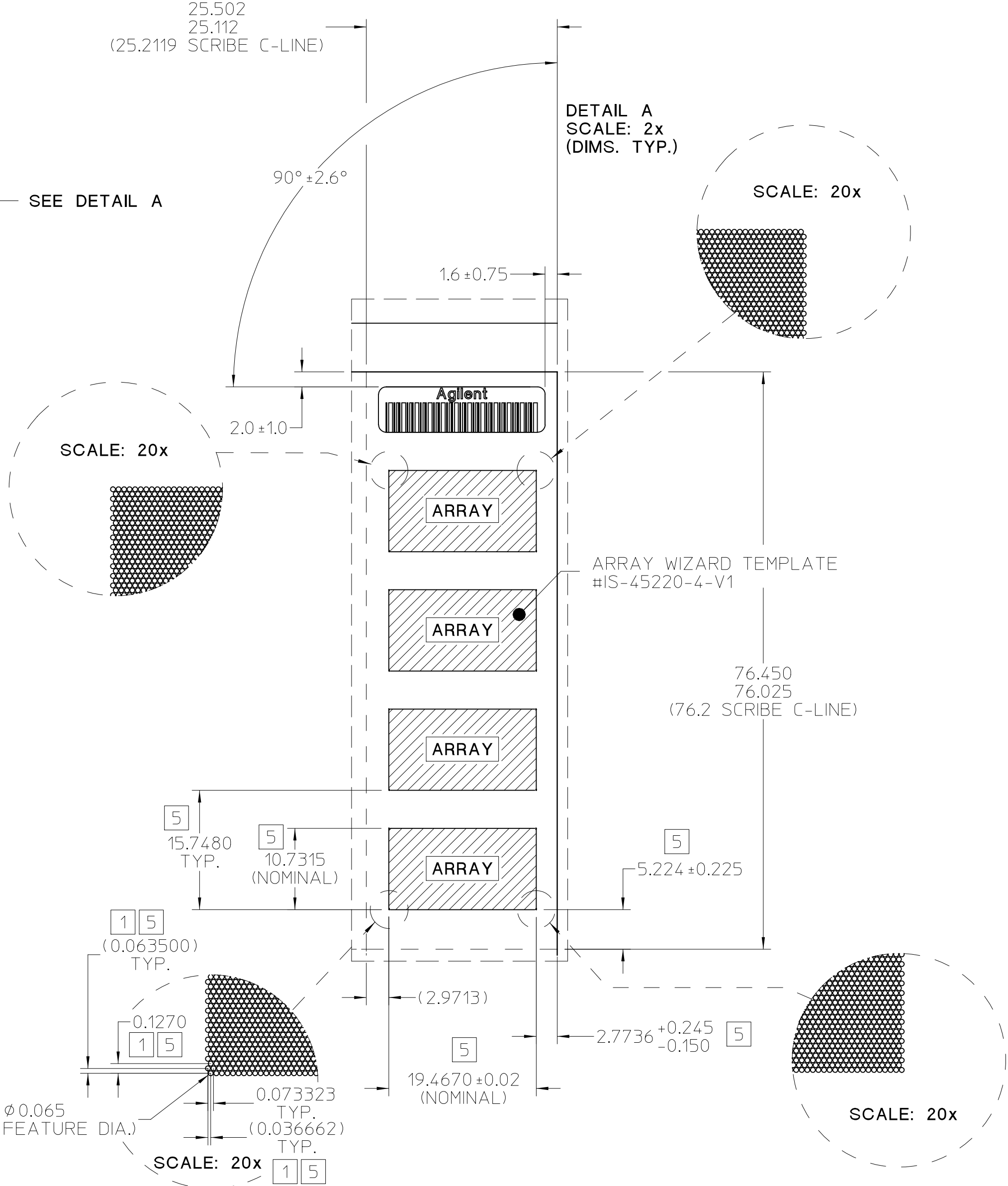
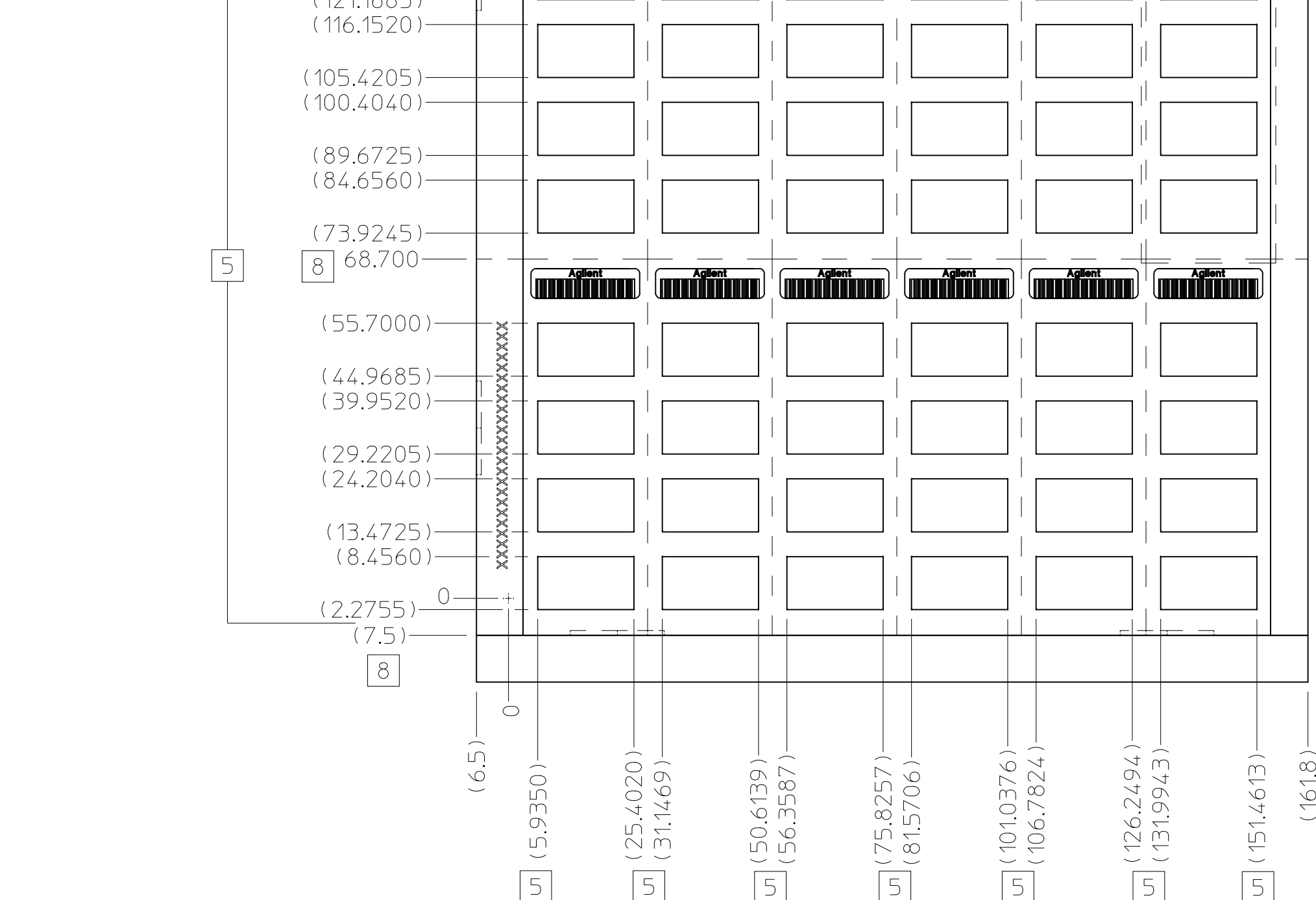
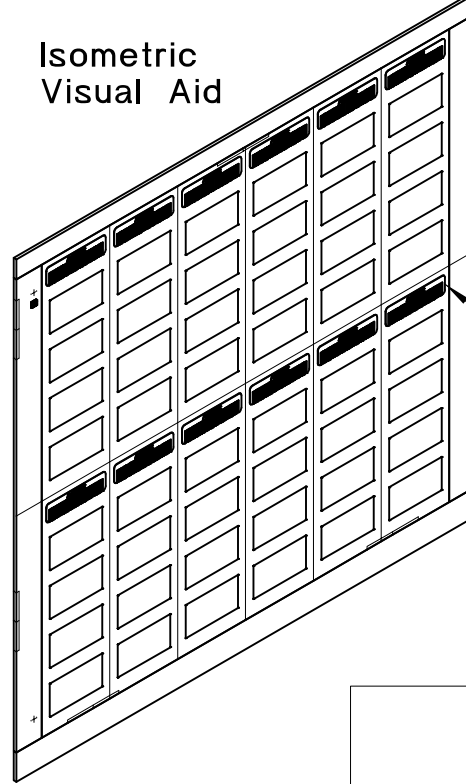
AGILENT RESTRICTED

THIS DOCUMENT AND ANY ASSOCIATED DATA CONTAIN RESTRICTED INFORMATION THAT IS AGILENT TECHNOLOGIES PROPERTY. ONLY DISCLOSE OR DUPLICATE FOR OTHERS AS AUTHORIZED BY AGILENT TECHNOLOGIES.

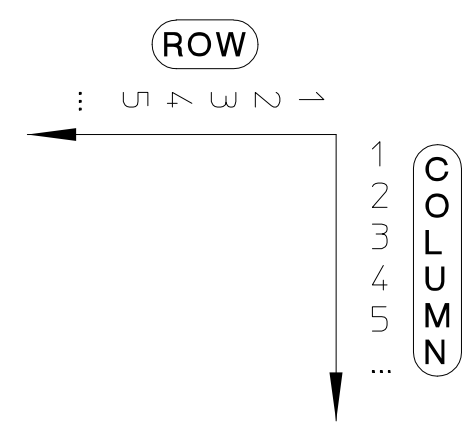
ASSOCIATED 3D MODEL IS GEOMETRY MASTER

DO NOT MODIFY THE GEOMETRY IN THIS 2D DRAWING. GEOMETRY MODIFICATIONS MUST BE MADE TO THE MASTER 3D MODEL AND USED TO UPDATE THIS DRAWING.

FILE NAME G2519F_Array.ami		REVISION 1	STORE DATE 2006-12-04	DOCUMENT NUMBER G2519F	
SYM 1	AS ISSUED	REVISIONS		REVISED BY M. Domler	DATE 11/16/06

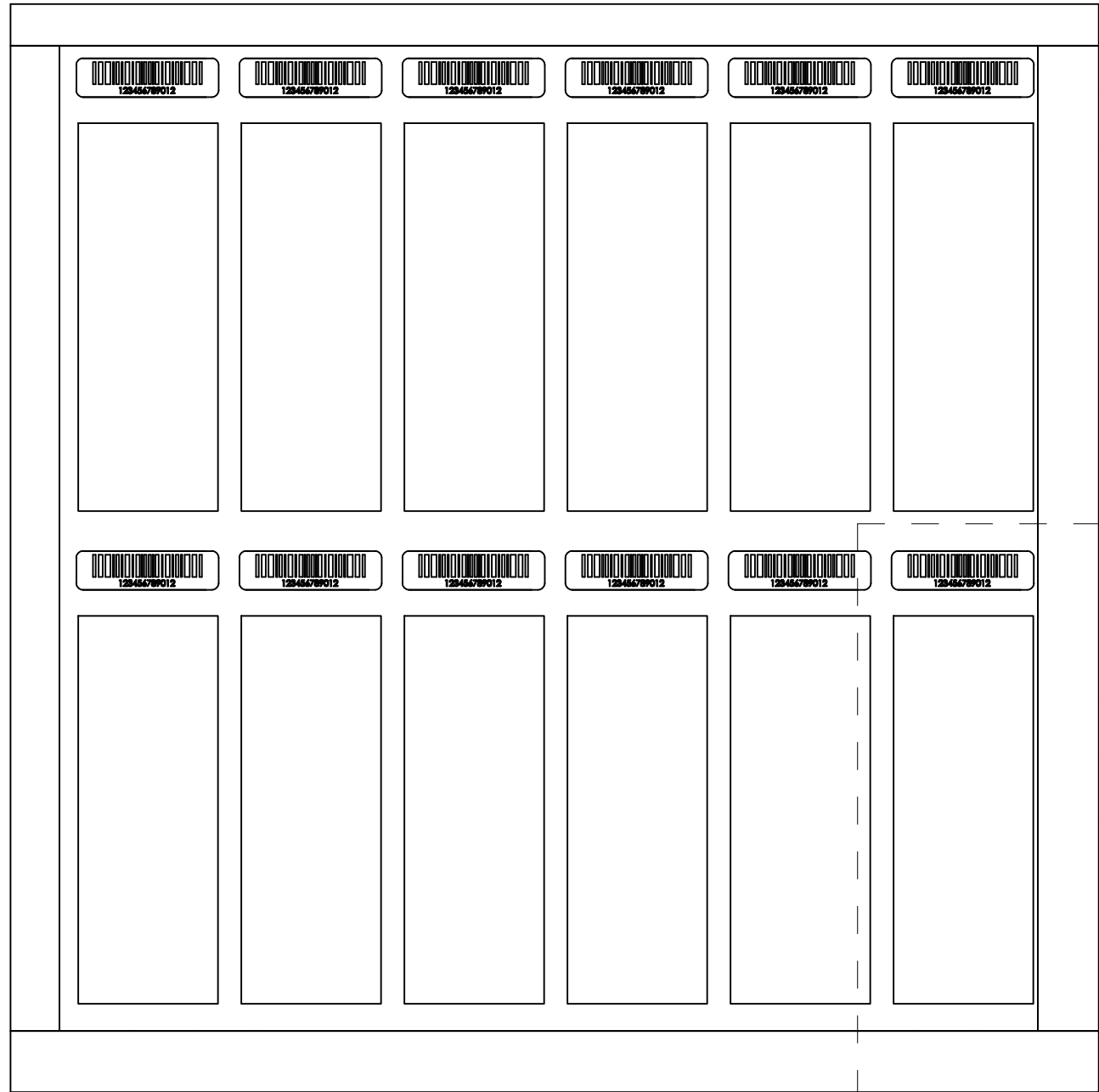
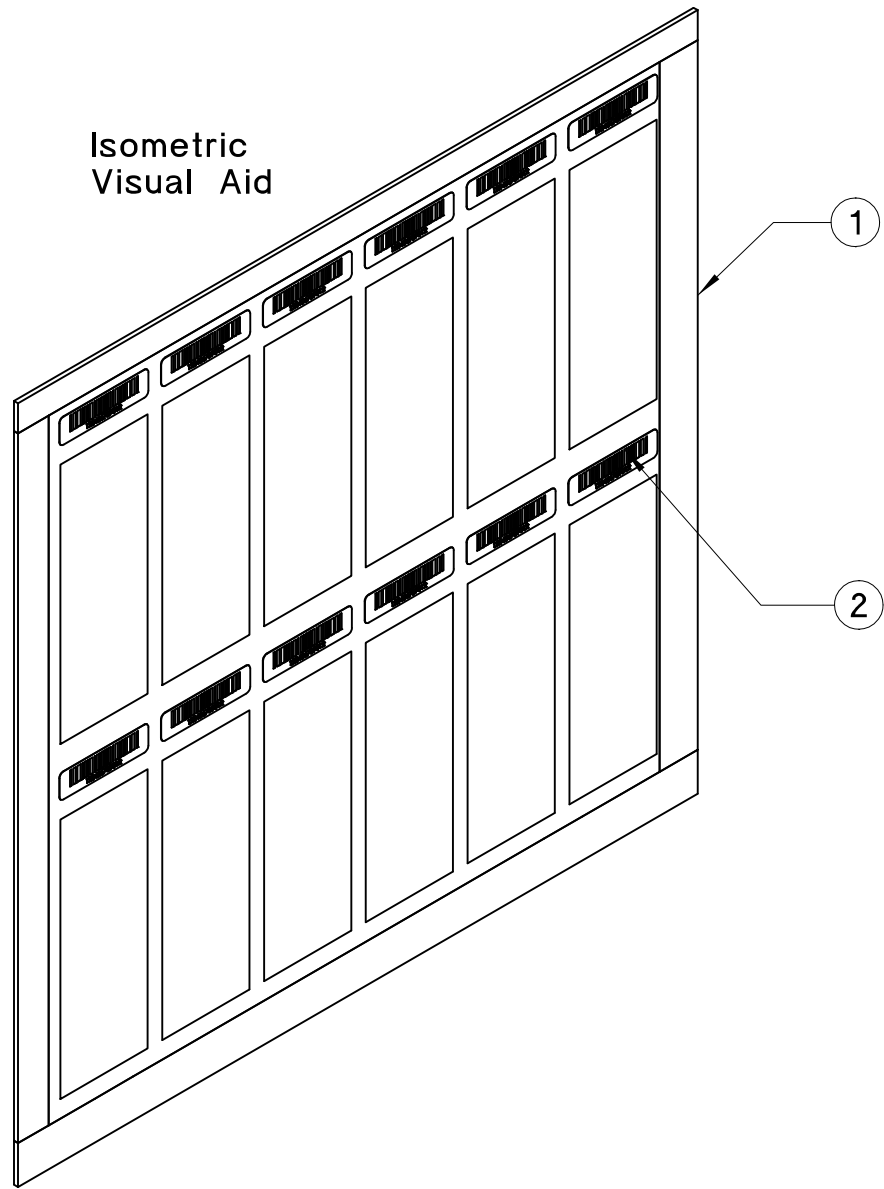


- NOTES: (UNLESS OTHERWISE SPECIFIED)
- THE ARRAY CONTAINS 45,220 FEATURES CONSISTING OF TWO INTERLACED RECTANGULAR GRIDS OF 266 ROWS @ (0.073323mm) SPACING BY 85 COLUMNS @ (0.127mm) SPACING. THE COLUMNS AND ROWS ARE INTERLACED (OFFSET) FROM EACH OTHER.
 - THE NOMINAL SIZE AND NOMINAL LOCATION OF THE REGION THAT IS SCANNED AND IMAGED BY THE AGILENT SCANNER.
 - A FEATURE PRINTED WITHIN THE FEATURE SCAN REGION WILL BE RELIABLY SCANNED WITHOUT BEING CLIPPED. THE FEATURE SCAN REGION INCLUDES TOLERANCES OF THE AGILENT SCANNER, SLIDE HOLDER, AND SLIDE SIZE.
 - THE CROSS-HAIR ABLATED FEATURES SHOWN ARE REPRESENTATIVE: THE SIZE AND SHAPE MAY DIFFER. DIMS. ARE FROM THE CENTER OF THE 0,0 ABLATED FEATURE.
 - DIMS. ARE TO CENTERS OF FEATURES OF THE FIRST/LAST ROW/COLUMN.
 - ALL WAFER VIEWS ON PAGE #1 ARE SHOWN WITH DNA SIDE UP. ALL WAFER VIEWS ON PAGE #2 ARE SHOWN WITH THE DNA SIDE DOWN.
 - ARRAYS DEPICTED ON THESE SHEETS ONLY SHOW FIRST/LAST ROW/COLUMN.
 - THESE DIMENSIONS SHOW THE LOCATION OF THE SCRIBE LINES. THESE DIMENSIONS HAVE A ±0.05mm TOLERANCE.



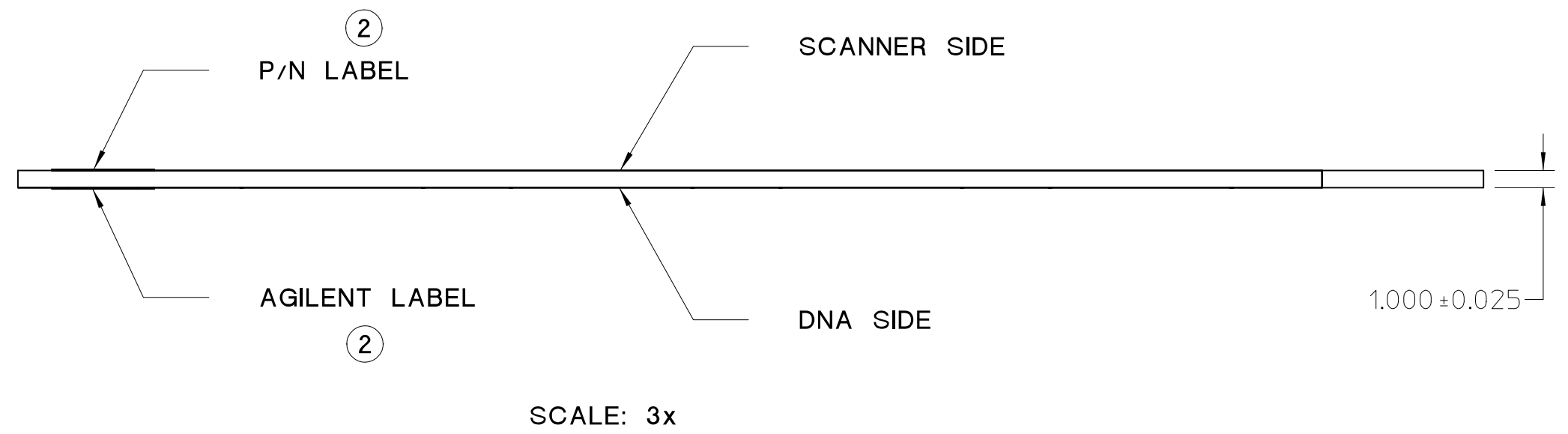
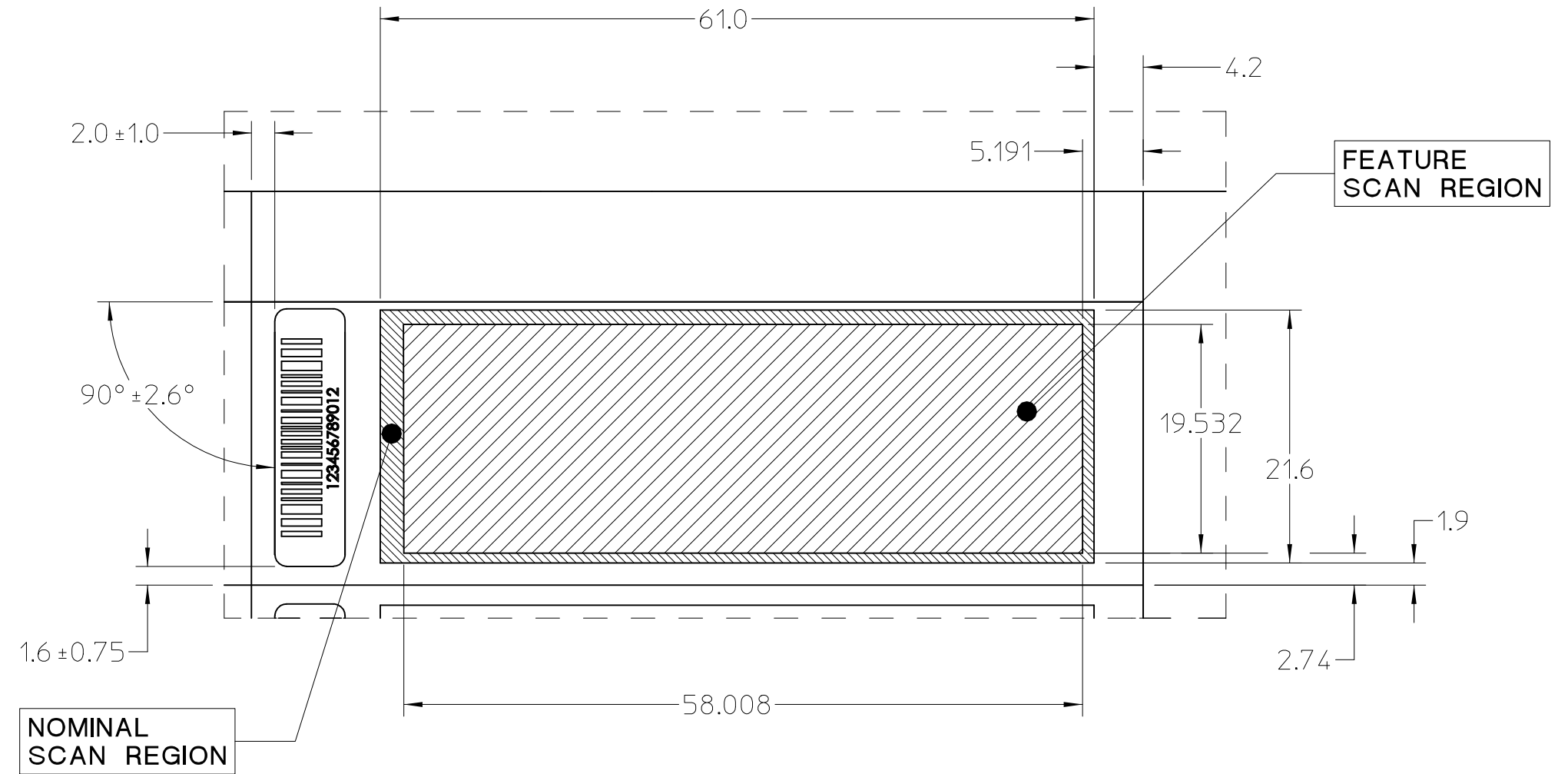
2	24	LABEL	G2506-86002	A-1	-
1	1	SUBSTRATE	G2506-23040	C-1	-
ITEM	QTY.	PART/MATERIAL-DESCRIPTION	MAT'L-PART NO.	MAT'L-DWG NO.	MAT'L-SPEC.
TOLERANCES FOR MACHINING: (UNLESS OTHERWISE SPECIFIED)		Mike Domler DRAWN BY	11/16/06 DATE	IS 45220-4-V1 (4 x 44K ARRAY)	
LINEAR: XX. ±0.5 mm XX.X ±0.2 mm XX.XX ±0.1 mm		ANGULAR: XX ±1° XX.X ±0°30' XX.XX ±0°00'30"		Agilent Technologies	
DO NOT SCALE THIS METRIC DRAWING		G&T SYMBOLOLOGY PER ASME Y14.5M-1994		PART NUMBER G2519F	
UNLESS OTHERWISE SPECIFIED		* DIMENSIONS ARE IN MILLIMETERS * THIRD ANGLE PROJECTION		TITLE 1 OF 2 SHEET	
* ADHERENCE TO DWG A-5951-1561-1 (COMPANY STD. SECTION 608) AND A-5951-1745-1 (GSE) IS REQUIRED		SCALE 1X		SIZE C	
		DOCUMENT NUMBER G2519F		DOCUMENT NUMBER	

Isometric
Visual Aid



SEE DETAIL B

DETAIL B
SCALE: 2x
(DIMS. TYP.)



IS 45220-4-V1
(4 x 44K ARRAY)



TITLE
2 OF 2
SHEET

1X
SCALE

C
SIZE

PART NUMBER
G2519F

G2519F
DOCUMENT NUMBER