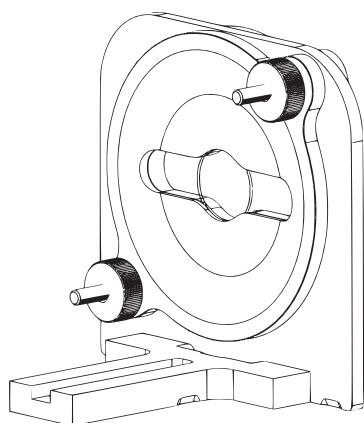


Round Sample Holder for the Cary 7000 UMS/UMA



Safely and securely mount round samples

- Easily mount round samples of 25, 38 or 50 mm (1.0, 1.5 and 2.0 in) in diameter using one of three, fixed size, sample holder sets
- Samples can be changed within seconds
- Minimal (approximately 2 mm) contact around the perimeter of the sample
- Perfect for routine analysis of identically sized samples and flexible samples such as textiles, plastic foil, printed solar cells or reflector stripes
- The holder can be rotated on the sample stage around its axis for measurements at different angles of incidence. The elongated hole in the center of the holder allows the light to pass through without clipping

Increase your measurement capacity

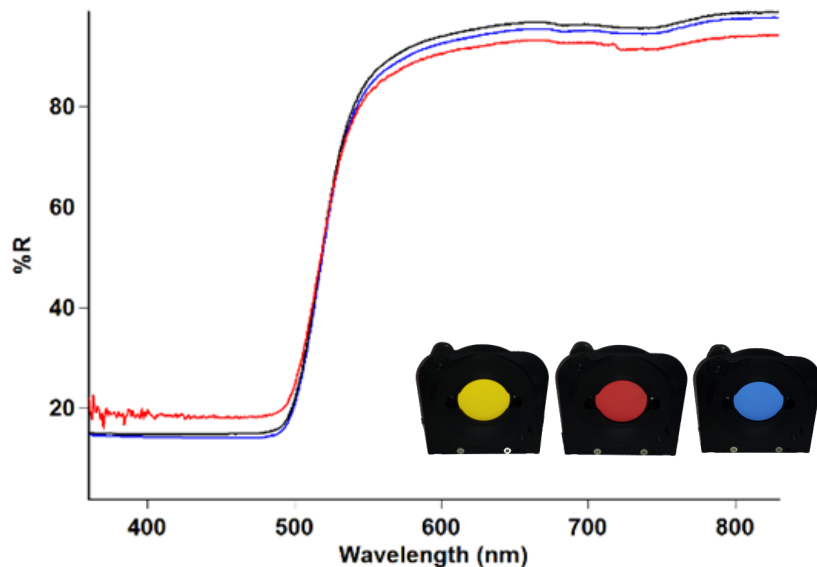
The Round Sample Holder from Agilent is designed to fit inside a Cary 7000 universal measurement spectrophotometer (UMS) or a Cary universal measurement accessory (UMA). The holder is ideal for repetitive measurements of round samples that need to be accurately and reproducibly positioned. A sample of fused silica is included and is used to test the vertical alignment of the holder.

Three face-plate-sets (25, 38 and 50 mm) are supplied with the holder. These face plates are easily interchangeable and allow you to reproducibly and rapidly mount round samples of different diameters. The two large knurled nuts holding the sample in place require no tools. You slide the nut down the screw shaft and then turn to secure. This quick-change capability allows high sample throughput for routine analyzes—increasing productivity and reducing cost-per-analysis.

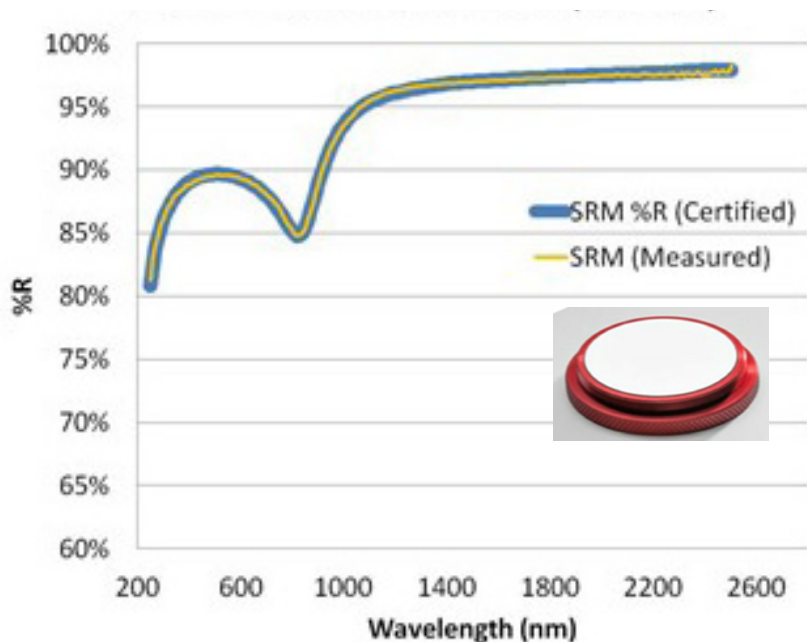
Samples of different shapes and sizes can be mounted on the round sample holder accessory. This includes:

- Rectangular, square or irregular samples that can fit into the holder
- Flexible samples such as plastic foils or printed optoelectronic devices
- Reflection standards such as PTFE color standards (Lambertian scattering)

Reflection and transmittance measurements can be made at angles of incidence above 70°, without the light beam clipping the sample holder. This capability includes samples with selective reflection properties that are otherwise transparent, such as laser mirrors. These sample types can be mounted and their reflection and transmission properties can be measured using the round sample holder.



Scattered reflection of PTFE color standards (blue, red and yellow)



The measured absolute specular reflection spectrum of a NIST master standard, overlaid on the certified reference material spectrum, show a perfect match.

Specifications		
Mounting Type	2 mm slot minimal contact (~ 2 mm)	
Sample Dimensions	Ø 1.0 in (25 mm) Ø 1.5 in (38 mm) Ø 2.0 in (51 mm)	
Min/Max Sample Physical* Thickness	1 mm / 14 mm	
Max Weight of Sample	Life tested to 6 kg Guaranteed to 3 kg	
Angular Limits**	Transmittance	Reflection
Ø 1.0 in (25 mm)	76°	72°
Ø 1.5 in (38 mm)	72°	74°
Ø 2.0 in (51 mm)	76°	72°
Mounting Mechanism	Easy fit machining tool threaded nuts	
Material	Anodized aluminum	

** determined with a 1 mm fused silica standard for transmittance and a mirror for reflection on zero order light; 3° horizontal and 1° vertical apertures, 4 nm spectral bandwidth
* maximum optical thickness is determined by the measurement needs, optical constants of the sample and chosen angle of incidence.

Ordering information

Description	Part number
Round Sample Holder	G6874A#400

For information on other specialized sample holders refer to the following publications:

Data Sheet	Part number
Standard Solid Sample Holder	5993-3120EN
Cube Beam Splitter Holder	5994-3122EN
Edge Mount Sample Holder	5994-3121EN

www.agilent.com/chem/cary7000

DE44308.0143287037

This information is subject to change without notice.

© Agilent Technologies, Inc. 2021
Published in the USA, May 5, 2021
5994-3119EN