

# What is Agilent Floating Suspension (AFS)?

Innovative solutions for low vibration and stability over time.

## Upper and lower AFS ensure

- Low vibration and acoustical noise
- Optimal working conditions for the bearings, extended operating life
- Exceptional stability for the very demanding SEM application



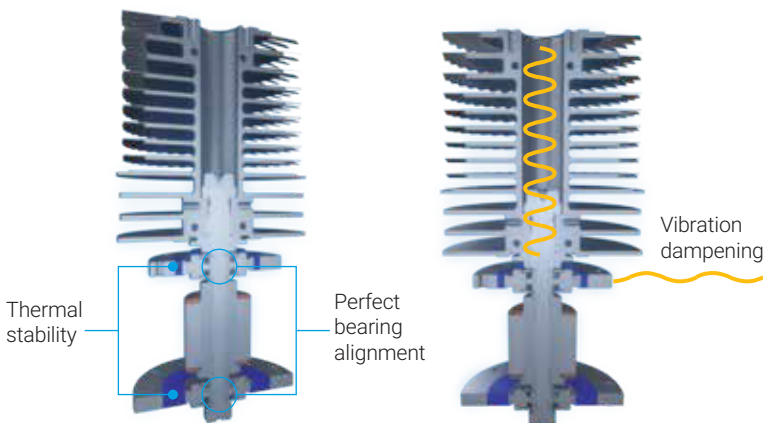
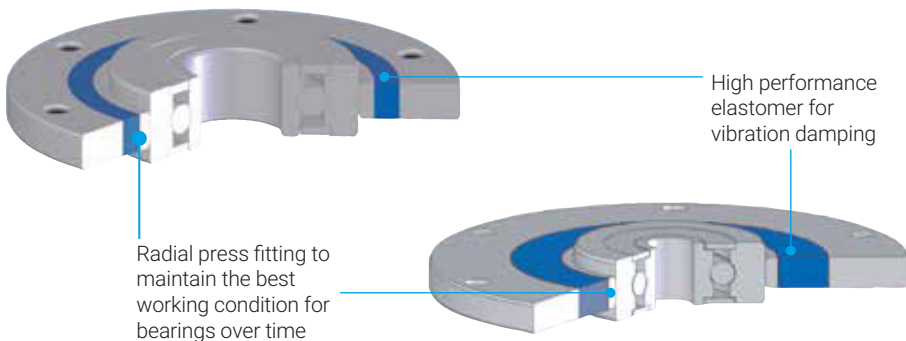
Lower and upper AFS (L to R)



## TwisTorr rotor, floating suspension, and electrical motor

- AFS geometrical precision guarantees perfect bearing alignment
- Designed radial and axial stiffness, optimized rotor dynamic behavior, and acoustic noise
- Lower AFS acts as an axial spring providing bearing preload and axial rotor positioning thermal stability

## Precision construction



Optimized rotor dynamic behavior

Learn more at:

[www.agilent.com/chem/twistorr304fs](http://www.agilent.com/chem/twistorr304fs)