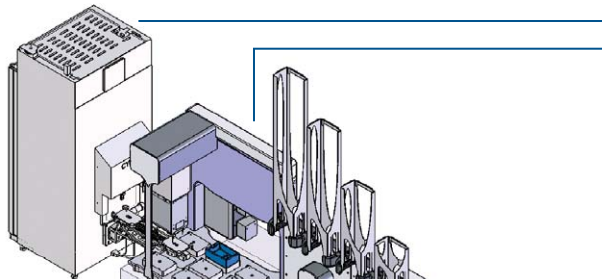


Agilent Automation Applications Highlight

Benchtop Workstations for Cell Maintenance

Cytomat Incubator Example



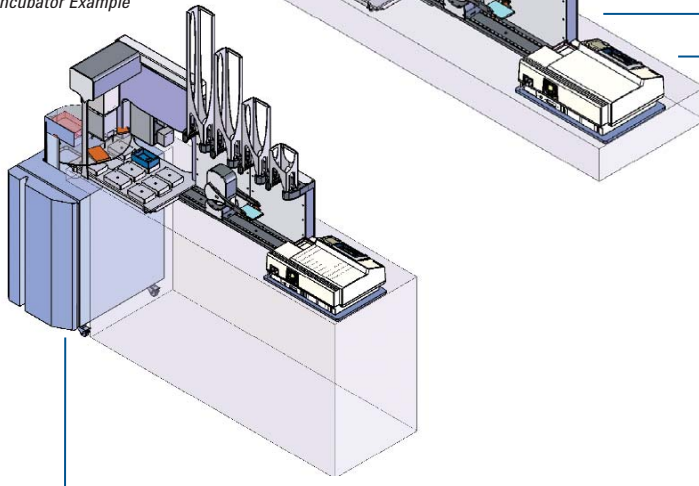
Cytomat 2C Incubator

Incubate and store cell-containing microplates on the benchtop.

Agilent Bravo Automated Liquid Handling Platform

Remove existing media and replace with fresh media from our Autofilling Reservoir.

Liconic Incubator Example



Agilent BenchCel Workstation

Store and deliver tip boxes and microplates for replication.

Analysis

Detect and analyze samples with the MDS Spectramax Reader

Liconic STR 240 Incubator

Incubate and store cell-containing microplates below the benchtop.

A Benchtop Solution:

Agilent BenchCel Workstations provide complete automation of all your cell maintenance tasks. At the core of the workstation, the versatile Bravo Automated Liquid Handling Platform performs cooled or room temperature media exchange, thermal shaking, and cell plating. Precision control of the Bravo Platform and BenchCel Workstation guarantees gentle handling of cell cultures. Integration of incubators with CO₂ control and industry-leading plate readers enables maximum throughput and walk-away time. The compact workstations can be integrated into a variety of enclosures to protect cultures from contamination.

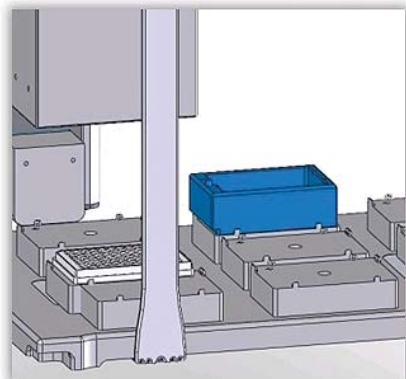
Agilent Automation Benefits:

- **Multiple Plate Types:** Use 24-, 96- and 384-well microplates and lids.
- **Capacity:** Store up to 240 Sample plates (depending on the model of incubator) and 240 assay plates.
- **Scalability:** Increase capacity and throughput with additional stacks or BenchCel Microplate Handlers.
- **Capability:** Enable aspiration from multiple sections of a well, making it ideal for media removal.
- **Intelligent:** Agilent VWorks Automation Control software Schedule protocol tasks and incubation steps, and reagent order-of-addition to guarantee healthy cell cultures.

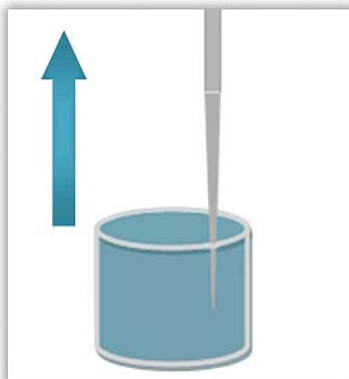


Agilent Technologies

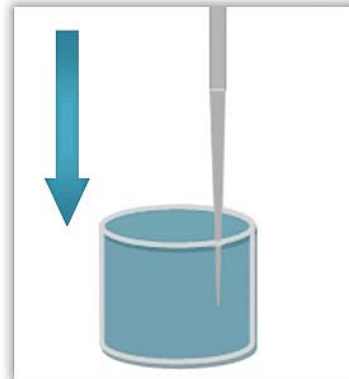
Agilent Bravo Versatility:



Cell plate is delivered from incubator to Bravo and lid is removed



Media is removed with off-set pipetting to reduce cell disturbance



Fresh media is added from Autofilling Reservoir (with liquid level control)

Configuration Options

Agilent BenchCel Workstations offer the flexibility of adding and reconfiguring options to meet your workflow requirements.

- **Analysis:** Agilent Automation Solutions integrates a variety of industry-leading microplate readers from Molecular Devices, Perkin Elmer, Thermo Fisher Scientific, Tecan, BMG, and others.
- **Enclosures:** Depending on your environmental control requirements, Agilent Automation Solutions can recommend an off-the-shelf or custom enclosure to meet your needs.
- **More:** Speak with one of our product specialists or application specialists to determine what configuration will work best for you.

Additional Services

All BenchCel Workstations include installation and product familiarization along with options to purchase additional services to meet your specific needs.

These options include:

- **Consulting:** Work with a team of experts to determine the best solution for your laboratory.
- **Application Development:** Let our application specialists develop and test system protocols for your applications.
- **More:** Speak with one of our product specialists regarding any additional support you require to ensure our solution meets all of your needs.

www.agilent.com/lifesciences/automation

Agilent Technologies shall not be liable for errors contained herein or for incidental or consequential damages in connection with the furnishing, performance, or use of this material.

Information, descriptions, and specifications in this publication are subject to change without notice.

© Agilent Technologies, Inc. 2009
Published in the USA
October 22, 2009
5990-4528EN



Agilent Technologies