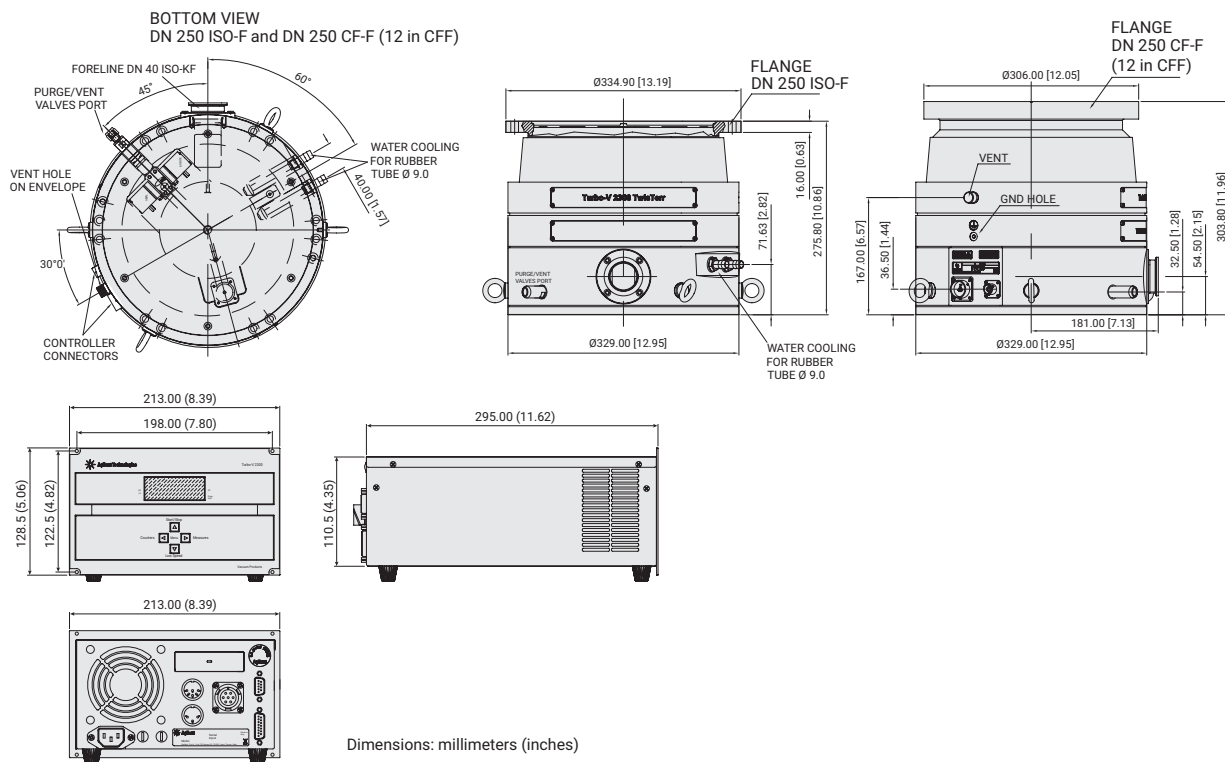


Turbo-V 2300 Pump

Product description

The Agilent Turbo-V 2300 TwisTorr offers 2,050 L/s pumping speed in DN 250 installations. The high compression ratios allow very low base pressure, while high foreline pressure tolerance permits a broad selection of smaller primary pumps. Maintenance-free operation makes the Turbo-V 2300 TwisTorr a smart choice for research applications.



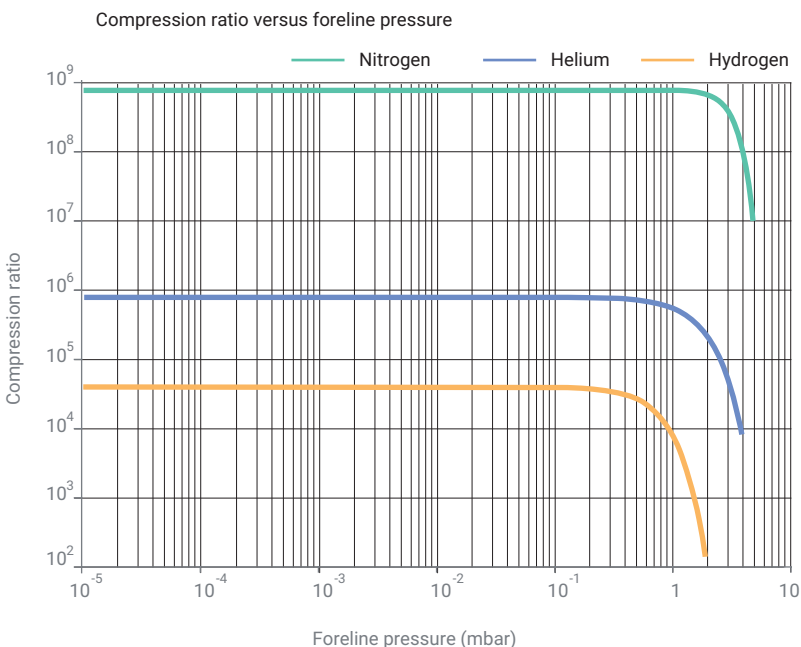
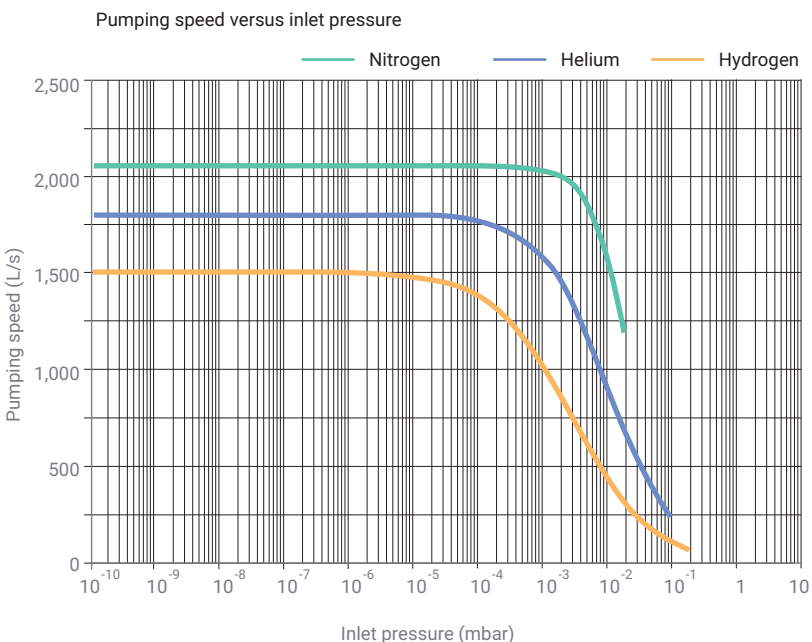
Technical specifications

Vacuum Performance	
Pumping Speed for N ₂ (*)	2,050 L/s
Pumping Speed for He (*)	1,800 L/s
Pumping Speed for H ₂ (*)	1,500 L/s
Compression Ratio for N ₂	>8 × 10 ⁸
Compression Ratio for He	8 × 10 ⁵
Compression Ratio for H ₂	4 × 10 ⁴
Base Pressure* (with Recommended Forepump)	10 ⁻¹⁰ mbar (7.5 × 10 ⁻¹¹ Torr) (**)
Max Foreline Pressure for N ₂	4 mbar
Inlet Flange	DN 250 ISO-F or DN 250 CF-F (12 in CFF)
Foreline Flange	DN 40 ISO-KF
Other	
Nominal Rotational Speed	33,300 rpm
Start-Up Time without Gas Load and with the Recommended Forepump	<6 minutes
Minimum Recommended Forepump	TriScroll 600
Operational Position	Vertical/Upside down
Operating Ambient Temperature	5 to 35 °C
Bakeout Temperature	120 °C (CFF), 80 °C (ISO)
Max Rotor Temperature	120 °C
Vibration Level (Displacement)	<0.01 µm at inlet flange
Lubricant	Permanent lubrication
Cooling Requirements	Water
Coolant Water	Recommended flow: 200 L/h Temperature: 15 to 30 °C Pressure: 3 to 5 bar (45 to 75 psi)
Noise Level	<60 dB(A) at 1 meter
Storage Temperature	-20 to 70 °C
Environment Protection	IP54
Weight	DN 250 ISO-F: 54.2 kg (119.5 lbs) DN 250 CF-F (12 in CFF): 55.3 kg (121.9 lbs)

(*): Without inlet screen.

(**): According to standard DIN 28 428, the base pressure is that measured in a leak-free test dome, 48 hours after the completion of test dome bake-out, with a Turbopump fitted with a CFF flange and using the recommended prevacuum pump.

Controller Specifications	
Input Voltages	100 to 120 VAC, 220 to 240 Vac, 1-phase
Input Frequency	50 to 60 Hz
Maximum Input Power	1,300 VA
Output Voltage	64 Vac
Output Frequency	555 Hz
Output Power Starting	560 W maximum
Output Power Normal	450 W maximum
Weight (Both Models)	12.5 kg (28 lbs)
Installation Category	II
Pollution Degree	2



Ordering information

Pump	Part Number
Agilent Turbo-V 2300 TwisTorr DN 250 ISO-F	9696000
Agilent Turbo-V 2300 TwisTorr DN 250 CF-F (12 in CFF)	9696001
Controllers*	
Agilent Turbo-V 2300 Rack Controller, 100 to 240 V	X3501-64004
Agilent Turbo-V 2300 Pump-Controller Cable Kit, 5 m	X3501-68003
Agilent Turbo-V 2300 Pump-Controller Cable Kit, 10 m	X3501-68073
Agilent Turbo-V 2300 Pump-Controller Cable Kit, 20 m	X3501-68013

(*): Please note that rack controllers do not include the Pump-Controller Cable Kit.

Accessories	
Mains Cable NEMA Plug, 3 m Long	9699958
Mains Cable European Plug, 3 m Long	9699957
Center-Ring DN 250	9699144
Inlet Screen DN 250	9699350
Water Cooling Kit for 6 × 8 mm (id × od) Flexible Tube	9699348
Water Cooling Kit for 3/8 in. id Flexible Tube	9699338
RS232 – Serial Cable	9699883

Contact information

Americas

Toll free: +1 800 882 7426

vpl-customer@agilent.com

Europe, Middle East, Africa, India

Toll free: 00 800 234 234 00

vpt-customer@agilent.com

China

Toll free: 800 820 6778

Contacts.vacuum@agilent.com

For more information, please contact your Agilent representative or visit

www.agilent.com/chem/vacuum where you can chat live with a vacuum expert.



www.agilent.com/en/product/vacuum-technologies/turbo-pumps-controllers/turbo-pumps/turbo-v-2300-twistorr-pump

DE44249.5830787037

This information is subject to change without notice.

© Agilent Technologies, Inc. 2021
Printed in the USA, May 11, 2021
5994-3094EN