

Agilent Vaclon Plus 75 Pump

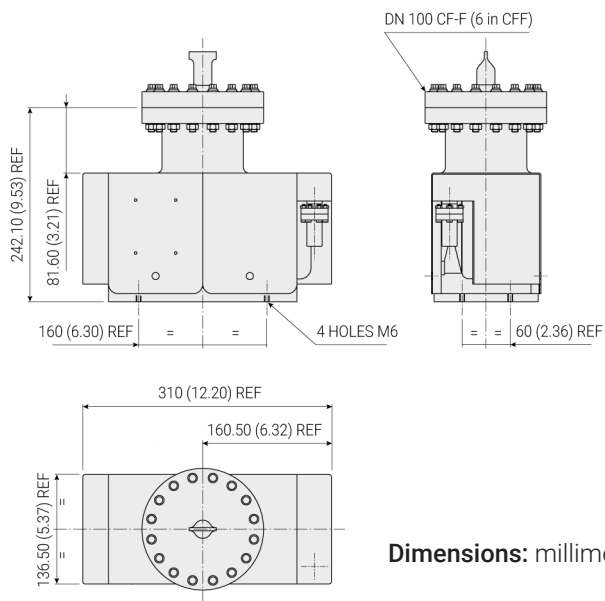


Product description

The Agilent Vaclon Plus 75 pump is a 75 L/s ion pump used in ultrahigh and extreme high vacuum applications in academic and high-energy physics (HEP) research. It delivers increased pumping speed in the same compact size as other Vaclon Plus medium ion pumps, ideal for large chamber applications that require greater pumping speed. The patented StarCell element delivers best-in-class pumping speeds for noble gases and hydrogen, and the highest capacity for methane, argon, and helium. Options such as optical baffles, integral heaters, and high-voltage (HV) feedthroughs are available for easy system integration.

Features and benefits

- Select from StarCell, diode, and noble diode elements to provide the best pumping speed for different gases
- Available with ConFlat 6" nonrotatable flange, additional 2.75" ConFlat port, and a choice of feedthroughs (Fischer, King, DESY, Varian, SHV 10kV (Safeconn)) in different orientations
- No moving parts ensures vibration-free operation for sensitive applications
- Low leakage current provides stable vacuum pressure reading
- Low magnetic field minimizes system interference
- Vacuum processed at > 400 °C and pinched off under vacuum to ensure cleanliness and vacuum integrity prior to installation
- Customizable with different high-voltage feedthroughs, body geometries, additional ports, and pumping cell arrangements, and available with optically shielded baffles, external heaters and magnetic shielding to meet your needs
- SEM versions are available with ultralow leakage current and high stability for minimal electrical interference
- Special testing procedures for your specific requirements can be added

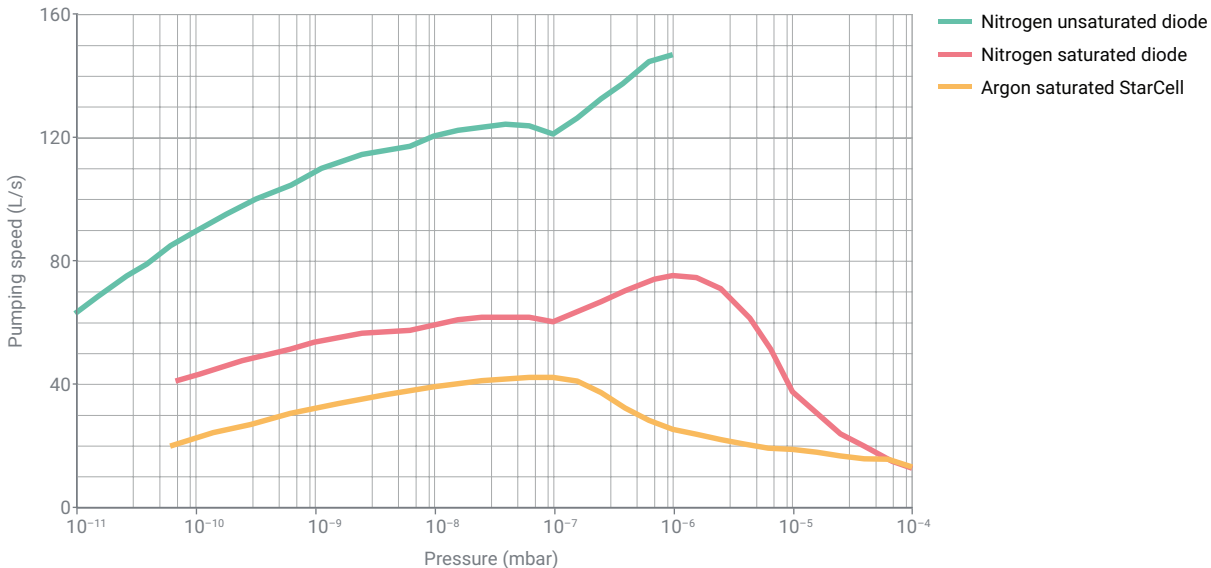


Dimensions: millimeters (inches)

Vaclon Plus 75 Technical Specifications			
	StarCell	Noble Diode	Diode
Nominal Pumping Speed for Nitrogen*	65 L/s	68 L/s	75 L/s
Operating Life at 1×10^{-6} mbar	80,000 h	50,000 h	50,000 h
Maximum Starting Pressure	$\leq 5 \times 10^{-2}$ mbar	$\leq 1 \times 10^{-3}$ mbar	$\leq 1 \times 10^{-3}$ mbar
Ultimate Pressure	Below 10^{-11}		
Inlet Flange	DN 100 CF-F (6 in CFF) AISI 304 ESR SST		
Maximum Baking Temperature	Pump without magnets 450 °C Pump with magnets 350 °C HV cable 220 °C		
Weight	19 kg (42 lb)		

* Tested according to ISO/DIS 3556-1-1992. SEM version available on request. Customized design available on request.

Vaclon Plus 75 pumping speed versus pressure



Ordering information

Description	Part Number
Vaclon Plus 75 Pumps	
Diode with Ferrite Magnets	9191410
Diode with Ferrite Magnets and DN 40 CF-F (2.75 in CFF) Port*	9191413
Diode without Magnets	9191414
StarCell with Ferrite Magnets	9191440
StarCell with Ferrite Magnets and DN 40 CF-F (2.75 in CFF) Port*	9191443
StarCell without Magnets	9191444
Noble Diode with Ferrite Magnets	9191420
Noble Diode without Magnets	9191424
* Side port nonrotatable. Agilent offers these pumps with the SHV 10kV (SAFECONN) feedthrough option. Please contact Agilent or your local representative.	
4UHV Controller	
200 W neg	9299010
200 W pos	9299011
IPCMini Controller	
IPCMini, 110/220 V Fischer HV, neg	X3602-64000
IPCMini, 110/220 V Fischer HV, pos	X3602-64001
Ion pump controllers (4UHV and IPCMini) are available in multiple configurations. For a complete list of part numbers, please refer to their respective data sheets.	
HV Cables	
HV Cable, 4 m (13 ft), Fischer Controller to Fischer Pump Side, Bakeable, Radiation Resistant, with Interlock	9290705
HV Cable, 7 m (23 ft), Fischer Controller to Fischer Pump Side, Bakeable, Radiation Resistant, with Interlock	9290707
HV Cable, 10 m (33 ft), Fischer Controller to Fischer Pump Side, Bakeable, Radiation Resistant, with Interlock	9290708
HV Cable, 20 m (66 ft), Fischer Controller to Fischer Pump Side, Bakeable, Radiation Resistant, with Interlock	9290709
Other cable lengths are available on request.	
Replacement Parts	
HV Feedthrough with Interlock	9595125
Heaters*, 120 V, Input Power 250 W	9190071
Heaters*, 220 V, Input Power 250 W	9190070
* Contact your local Agilent representative to order replacement heaters or upgrade existing pumps.	

Contact information

Americas

Agilent Technologies
121 Hartwell Avenue,
Lexington, MA 02421 USA
Toll free: +1 800 882 7426
vpl-customer@agilent.com

Europe, Middle East, Africa, India

Agilent Technologies Italia SpA
Via F.lli Varian 54,
10040 Leini (Torino), Italy
Tel: +39 011 9979 111
Toll free: 00 800 234 234 00
vpt-customer@agilent.com

China

Beijing Office Agilent Technologies
(China) Co. Ltd.
No.3, Wang Jing Bei Lu,
Chao Yang District,
Beijing, 100102, China
Toll free: 800 820 6778
contacts.vacuum@agilent.com

For more information, please contact your Agilent representative or visit www.agilent.com/chem/vacuum where you can chat live with a vacuum expert.



www.agilent.com/en/product/vacuum-technologies/ion-pumps-controllers/medium-ion-pumps/vacion-plus-75-pump

DE44480.4269675926

This information is subject to change without notice.

© Agilent Technologies, Inc. 2020–2024
Printed in the USA, September 24, 2024
5994-2466EN

