

Agilent Vaclon Plus 150 Pump



Product description

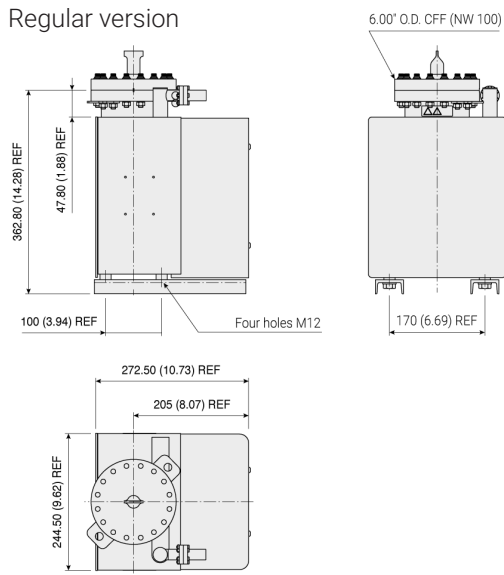
The Agilent Vaclon Plus 150 L/s pump provides high pumping speed in a moderate footprint for mounting with a 6" Conflat flange, and is typically used in laboratories where ultra- and extreme-high vacuum conditions are crucial. It is available with three types of elements. Diode elements are for general purpose UHV and XHV applications where highest hydrogen pumping speed is critical, and the system is seldom vented or prone to atmospheric leaks. StarCell elements handle a high amount of noble gases (better than noble diode) and hydrogen, and provides the highest speed and capacity for methane, argon, and helium. Noble diode elements are used in general-purpose applications where pumping of residual argon and other noble gases is required.

Features and benefits

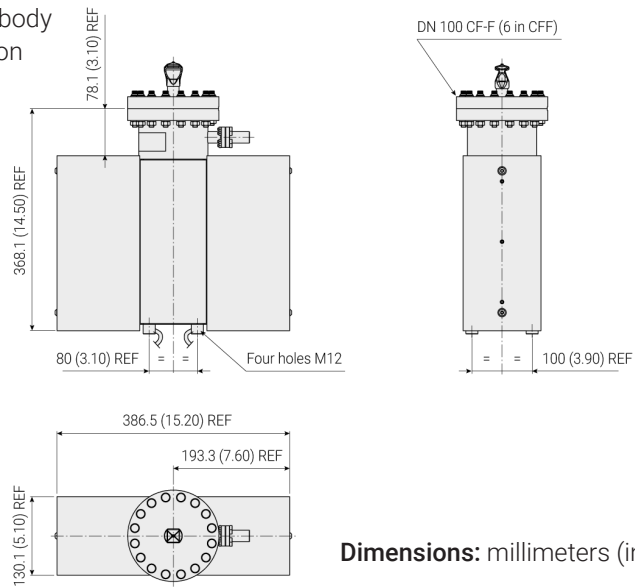
- Available with StarCell, diode, and noble diode elements to provide the best pumping speed for different gases
- Available with ConFlat 6" nonrotatable flange, additional 6" ConFlat port, double-ended and side ports available with a choice of feedthroughs (Fischer, King, DESY, Varian, Safeconn) in different orientations
- No moving parts provide vibration-free operation for sensitive applications
- Low leakage current provides stable vacuum pressure reading
- Low magnetic field for minimal system interference
- Vacuum processed at >400 °C and pinched off under vacuum to ensure cleanliness and vacuum integrity prior to installation
- Customizable with different high-voltage feedthroughs, body geometries, additional ports, and pumping cell arrangements, and available with optically shielded baffles, external heaters, and magnetic shielding to meet your needs
- SEM versions available with ultralow leakage current and high stability for minimal electrical interference
- Compact design body version available when dimensions are critical



Regular version



Slim body version

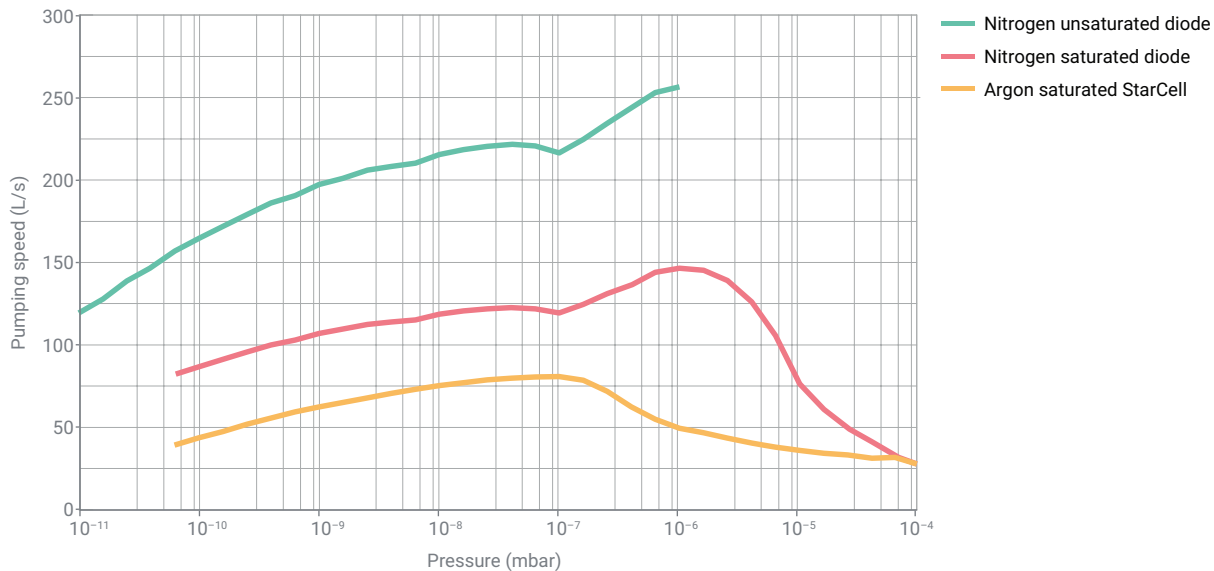


Dimensions: millimeters (inches)

Vaclon Plus 150 Technical Specifications			
	StarCell	Noble Diode	Diode
Nominal Pumping Speed for Nitrogen*	125 L/s	135 L/s	150 L/s
Operating Life at 1×10^{-6} mbar	80,000 hrs	50,000 hrs	50,000 hrs
Maximum Starting Pressure	$\leq 5 \times 10^{-2}$ mbar	$\leq 1 \times 10^{-3}$ mbar	$\leq 1 \times 10^{-3}$ mbar
Ultimate Pressure	Below 10^{-11}		
Inlet Flange	DN 100 CF-F (6 in CFF) AISI 304 ESR		
Maximum Baking Temperature	Pump without magnets Pump with magnets HV cable	450 °C 350 °C 220 °C	
Weight	43 kg (94 lb)		

* Tested according to ISO/DIS 3556-1-1992. SEM version available on request. Customized design available on request.

Vaclon Plus 150 pumping speed versus pressure



Ordering information

Description	Part Number
Vaclon Plus 150 Pumps	
Diode	9191510
Diode with 120 V Heaters Installed	9191511
Diode with 220 V Heaters Installed	9191512
Diode, Double-Ended	9191550
Diode, Double-Ended with 120 V Heaters Installed	9191551
Diode, Double-Ended with 220 V Heaters Installed	9191552
StarCell	9191540
StarCell with 120 V Heaters Installed	9191541
StarCell with 220 V Heaters Installed	9191542
StarCell Double-Ended	9191580
StarCell, Double-Ended with 120 V Heaters Installed	9191581
StarCell, Double-Ended with 220 V Heaters Installed	9191582
Diode "Slim Body"	9191510M004
Diode, "Slim Body" with 120 V Heaters Installed	9191511M003
Diode, "Slim Body" with 220 V Heaters Installed	9191512M008
StarCell "Slim Body"	9191540M012
StarCell, "Slim Body" with 120 V Heaters Installed	9191541M003
StarCell, "Slim Body" with 220 V Heaters Installed	9191542M010
Noble Diode	9191520
Noble Diode, Double-Ended	9191560
Noble Diode, Double-Ended with 120 V Heaters Installed	9191561
Noble Diode, Double-Ended with 220 V Heaters Installed	9191562
Agilent offers these pumps with the SHV 10kV (SAFECONN) feedthrough option. Please contact Agilent or your local representative.	

Description	Part Number
4UHV Controller	
200 W neg	9299010
200 W pos	9299011
IPCMini Controller	
IPCMini, 110/220 V Fischer HV, neg	X3602-64000
IPCMini, 110/220 V Fischer HV, pos	X3602-64001
Ion pump controllers (4UHV and IPCMini) are available in multiple configurations. For a complete list of part numbers, please refer to their respective data sheets.	
HV Cables	
HV Cable, 4 m (13 ft), Fischer Controller to Fischer Pump Side, Bakeable, Radiation Resistant, with Interlock	9290705
HV Cable, 7 m (23 ft), Fischer Controller to Fischer Pump Side, Bakeable, Radiation Resistant, with Interlock	9290707
HV Cable, 10 m (33 ft), Fischer Controller to Fischer Pump Side, Bakeable, Radiation Resistant, with Interlock	9290708
HV Cable, 20 m (66 ft), Fischer Controller to Fischer Pump Side, Bakeable, Radiation Resistant, with Interlock	9290709
Replacement Parts	
HV Feedthrough with Interlock	9595125
Pumping Element* for Diode	9199040
Pumping Element* for Noble Diode	9199045
Pumping Element* for StarCell	9199030
Heaters**, 120 V, Input Power 480 W	9190073
Heaters**, 220 V, Input Power 480 W	9190072
* Quantity required: 2 ** Contact your local Agilent representative to order replacement heaters or upgrade existing pumps.	

Contact information

Americas

Agilent Technologies
121 Hartwell Avenue,
Lexington, MA 02421 USA
Toll free: +1 800 882 7426
vpl-customer@agilent.com

[www.agilent.com/en/
product/vacuum-technologies/ion-pumps-
controllers/large-ion-pumps/vacion-
plus-150-pump](http://www.agilent.com/en/product/vacuum-technologies/ion-pumps-controllers/large-ion-pumps/vacion-plus-150-pump)

DE44480.4278125

This information is subject to change without notice.

© Agilent Technologies, Inc. 2020, 2022, 2023
Printed in the USA, February 6, 2023
5994-2467EN

Europe, Middle East, Africa, India

Agilent Technologies Italia SpA
Via F.lli Varian 54,
10040 Leini (Torino), Italy
Tel: +39 011 9979 111
Toll free: 00 800 234 234 00
vpt-customer@agilent.com

China

Beijing Office Agilent Technologies
(China) Co. Ltd.
No.3, Wang Jing Bei Lu,
Chao Yang District,
Beijing, 100102, China
Toll free: 800 820 6778
contacts.vacuum@agilent.com

For more information, please contact your Agilent representative or visit www.agilent.com/chem/vacuum where you can chat live with a vacuum expert.

