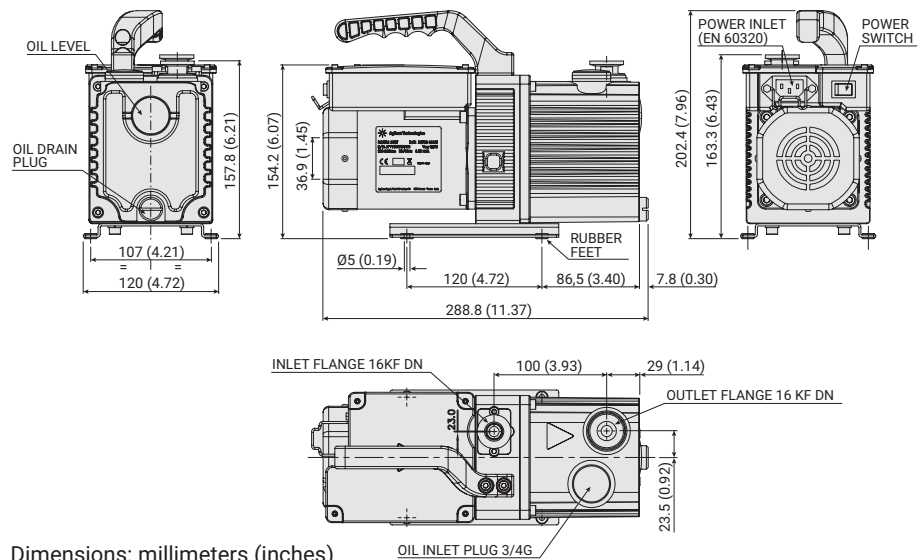


DS 40M Rotary Vane Pump



Dimensions: millimeters (inches)

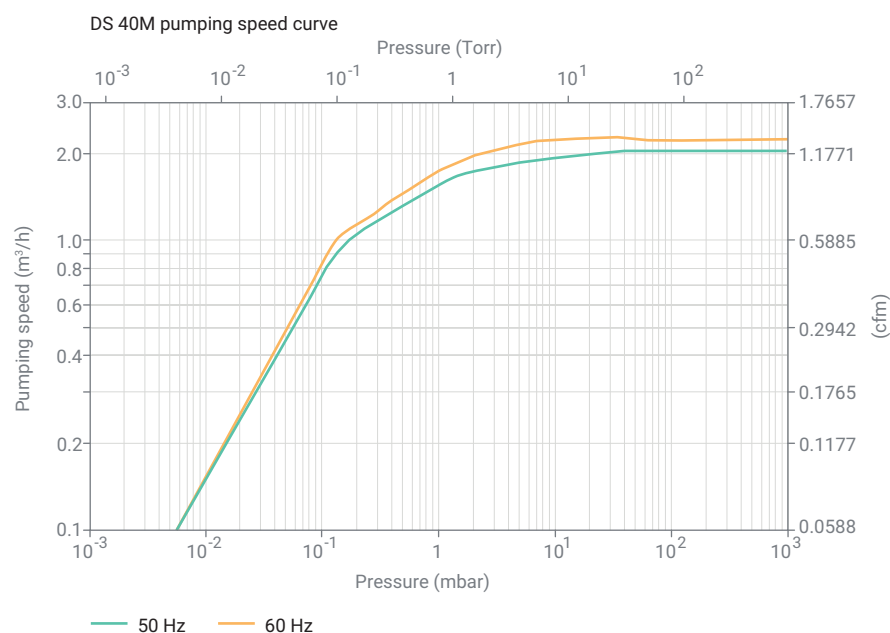
The Agilent DS 40M 2 m³/hr rotary vane pump is a compact and quiet system. The pump delivers a pumping speed of 1.8 m³/hr at 50 Hz, or 1.3 CFM at 60 Hz, with a base pressure of $<7 \times 10^{-3}$ mbar, while operating as low as 45 dBa.

The 0.1 kW, single-phase motor is magnetically coupled to the pump shaft through an enclosed, leak-tight case, eliminating the consequences of pump oil leakage common to pumps with dynamic shaft seals.

Technical specifications

Free Air Displacement	60 Hz: 43 L/min (1.5 cfm)	50 Hz: 37 L/min (2.2 m ³ /h)
Pumping Speed*	60 Hz: 1.27 cfm	50 Hz: 1.8 m ³ /h
Ultimate Partial Pressure*	–	–
Ultimate Total Pressure*	6.7 × 10 ⁻³ mbar	
Ultimate Total Pressure With Gas Ballast*	–	–
Noise Level	60 Hz: 46 dB(A)	50 Hz: 45 dB(A)
Oil Capacity Max	0.37 L	
Motor Rating 1 ph	60 Hz: 0.1 kW	50 Hz: 0.1 kW
Nominal Rotation Speed	60 Hz: 3,300 rpm	50 Hz: 2,600 rpm
Weight	9.3 kg (20.5 lb)	
Inlet Flange	DN 16 ISO-KF	
Exhaust Flange	DN 16 ISO-KF	

* According to PNEUROP 6602



www.agilent.com/en/product/vacuum-technologies/oil-sealed-rotary-vane-pumps/dual-stage-ds-rotary-vane-pumps/ds-40m-rotary-vane-pump

DE44337.2642476852

This information is subject to change without notice.

© Agilent Technologies, Inc. 2021
Printed in the USA, August 3, 2021
5994-3539EN

Ordering information

Dual Stage Rotary Vane Pump	Part Number
DS 40M 100 to 120 Vac - 50/60Hz	X3703-64000
DS 40M 200 to 240 Vac - 50/60Hz	X3703-64001
Oil and Accessories	Part Number
Rotary Vane Fluid, AVF 20S Type, 0.5 Liter	X3703-64006
DS 40M Oil Mist Trap 3/4 G	X3703-64003
DS 40M Oil Mist Trap Cartridge (Pkg. of 2)	X3703-64004
DS 40M Maintenance Kit	X3703-64005
DS 40M Oil Drain Extension	X3703-64007
NW 16 Centering Ring Viton	KC16AV
NW 16 Aluminum Clamp	KQ16AWP

Contact information

Americas

Agilent Technologies
121 Hartwell Avenue,
Lexington, MA 02421 USA
Toll free: +1 800 882 7426
vpl-customer@agilent.com

Europe, Middle East, Africa, India

Agilent Technologies Italia SpA
Via F.lli Varian 54,
10040 Leini (Torino), Italy
Tel: +39 011 9979 111
Toll free: 00 800 234 234 00
vpt-customer@agilent.com

China

Beijing Office Agilent Technologies
(China) Co. Ltd.
No.3, Wang Jing Bei Lu,
Chao Yang District,
Beijing, 100102, China
Toll free: 800 820 6778
Contacts.vacuum@agilent.com

For more information, please contact your Agilent representative or visit www.agilent.com/chem/vacuum where you can chat live with a vacuum expert.

