

## Agilent TwisTorr 804 FS



### The new generation Turbo Pump with Agilent Floating Suspension

The Agilent TwisTorr 804 FS turbomolecular high-vacuum pump combines TwisTorr drag stage technology and Agilent Floating Suspension to provide high performance, reliability, and economy.

TwisTorr drag stages create high compression ratios for light gases such as hydrogen and helium to deliver high throughput and high tolerance of foreline pressure, thereby permitting the use of smaller and more economical backing pumps. This technology results in a compact rotor design that is energy-efficient and maintains a low operating temperature.

The Agilent Floating Suspension system reduces noise and vibration, and ensures optimal bearing operating conditions to extend operating life, minimize system downtime, and assure stability over time.

The pump can be water cooled or air cooled: in the first case the customer can use the dedicated channels on the pump body, in the second case an external optional fan is available. A thermistor sensor is mounted near the upper bearing to prevent the pump from overheating.

The unique bearing and dry lubrication in the TwisTorr 804 FS eliminate oil and maintenance, and permits operation of the pump in any orientation. Available with Onboard or Rack controllers.

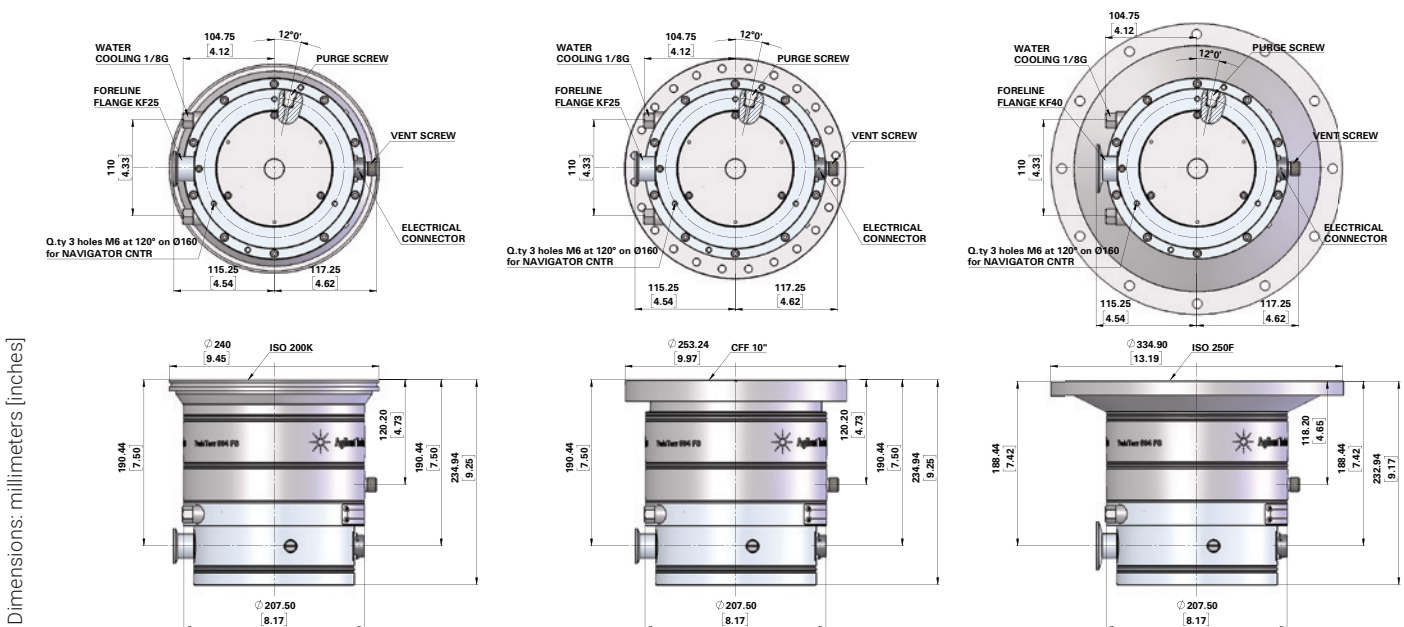
# Technical Specifications

Technical Specifications		
<b>Pumping speed</b>		
N <sub>2</sub>	720 L/s	
He	660 L/s	
H <sub>2</sub>	485 L/s	
Ar	690 L/s	
<b>Max Gas Throughput (*)</b>	Air Cooling (25°C ambient temperature)	Water Cooling (15°C water temp. / 25°C ambient temp.)
N <sub>2</sub>	4.3 mbar L/s 255 SCCM	6.2 mbar L/s 367 SCCM
He	7.9 mbar L/s 467 SCCM	10.4 mbar L/s 615 SCCM
Ar	1.5 mbar L/s 89 SCCM	3.3 mbar L/s 195 SCCM
(*) Backing pump 11.6 m <sup>3</sup> /hr		
<b>Compression ratio and foreline tolerance**</b>		
N <sub>2</sub>	> 1 x 10 <sup>11</sup>	10 mbar
He	2 x 10 <sup>8</sup>	10 mbar
H <sub>2</sub>	3 x 10 <sup>6</sup>	>4 mbar
Ar	> 1 x 10 <sup>11</sup>	8.5 mbar
(**) Foreline Tolerance defined as the pressure at which the turbopump still produces a compression of 100 and estimated in water cooling mode		
<b>Base pressure with recomm. forepump</b>	< 1 x 10 <sup>-10</sup> mbar (< 1 x 10 <sup>-10</sup> Torr)	
<b>Inlet flange</b>	ISO 200K, ISO 200F, ISO 250K, ISO 250F, CFF 10"	
<b>Foreline flange</b>	NW25 or NW40	
<b>Rotational speed</b>	Auto setting from 40'800 RPM to 49'500 RPM	
<b>Start-up time</b>	< 5 minutes	

Technical Specifications		
<b>Recommended forepump</b>	Agilent DS302 Rotary Vane Pump Agilent IDP-10 Dry Scroll Pump Agilent IDP-15 Dry Scroll Pump	
<b>Operating position</b>	Any	
<b>Oper. ambient temp.</b>	+5 °C to +35 °C	
<b>Rel. humidity of air</b>	0 to 90% (not condensing)	
<b>Bakeout temp.</b>	ISO pump: 80°C at inlet flange CFF pump: 120°C at inlet flange	
<b>Lubricant</b>	Permanent lubrication	
<b>Cooling requirements</b>		
Air cooling	Air temperature from +5°C to 35°C	
Water cooling	Water temperature from +15°C to +25°C Water flow min. 100L/h	
<b>Noise Pressure Level (at 1m at full speed)</b>	43dB(A)	
<b>Storage temp.</b>	-40 °C to +70 °C	
<b>Max altitude</b>	3000 m	
<b>Weight kg (lbs)</b>	ISO200K	20.7 kg (45.5)
	ISO200F	23.6 kg (51.9)
	ISO250K	23.3 kg (51.2)
	ISO250F	27.6 kg (60.9)
	CFF 10"	22.1 kg (48.6)

Conformity to norms	
<b>EMC (Control Units)</b>	61326-1
<b>Safety (CE/CSA)</b>	61010-1
<b>Machinery Directive</b>	DIR 2006/42/CE
<b>Low Voltage Directive</b>	DIR 2014/35/EU
<b>EMC Directive (Control Units)</b>	DIR 2014/30/EU
<b>ROHS</b>	DIR 2011/65/EU

## Outline Drawing



## Ordering Information

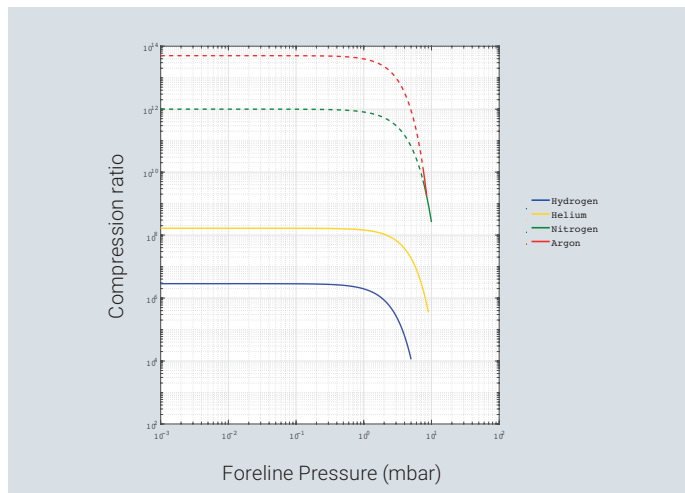
Pumps	Configuration Options
TwisTorr 804 FS ISO200K KF25/40*	X3511-64023
TwisTorr 804 FS ISO200F KF25/40*	X3511-64025
TwisTorr 804 FS CFF10 KF25/40*	X3511-64027
TwisTorr 804 FS ISO250K KF25/40*	X3511-64028
TwisTorr 804 FS ISO250F KF25/40*	X3511-64029

(\*) The pumps come with a KF40 foreline flange installed, and a spare KF25 flange that the user can install in case of need

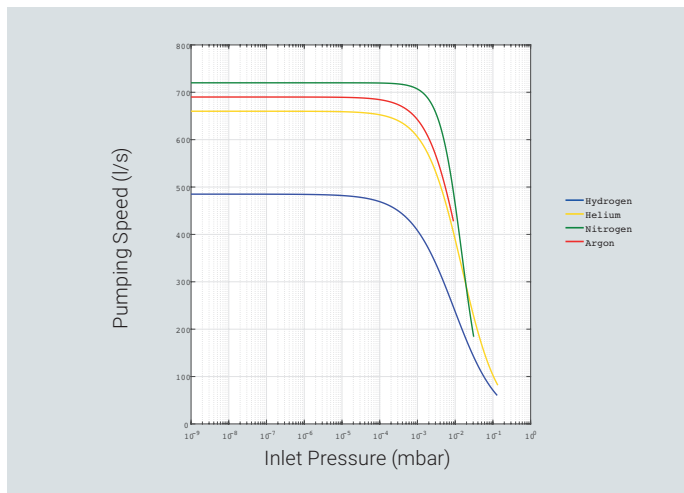
Controllers	Part Numbers
TwisTorr Medium-TMP Rack Controller	X3501-64016
TwisTorr Medium-TMP Onboard Controller	X3512-64016
Cables	Part Numbers
Mains cable NEMA plug 3 m long	9699958
Mains cable EU plug 3 m long	9699957
Mains cable UK plug 2.5 m long	X3501-68005
Serial Cable & T-plus Software	9699883
Medium-TMP Extension Cable	9699948M001 (5 m) 9699948M003 (10 m) 9699948M004 (15 m) 9699948M002 (20 m) 9699948M005 (30 m) 9699948M006 (50 m) 9699948M009 (75 m) 9699948M010 (100 m)
Inlet Screen	Part Numbers
Inlet screen ISO200/CFF10	9699316
Inlet screen ISO250	9699350
Cooling	Part Numbers
Medium-TMP Air Cooling Kit for Rack Controller	X3501-68001
Medium-TMP Air Cooling Kit for on board Controller	9699297
Plastic Water cooling Kit	9699347
Metal Water cooling Kit	9699337
Air Cooling Kit Extension Cable 5m	X3501-68101
Air Cooling Kit Extension Cable 10m	X3501-68051
Air Cooling Kit Extension Cable 15m	X3501-68061

Air Cooling Kit Extension Cable 20m	X3501-68021
Air Cooling Kit Extension Cable 30m	X3501-68011
Air Cooling Kit Extension Cable 50m	X3501-68071
Air Cooling Kit Extension Cable 75m	X3501-68081
Air Cooling Kit Extension Cable 100m	X3501-68091
Venting	Part Numbers
Vent valve driven by Rack Controller, N.O., 1.2 mm orifice	X3501-68002
Vent valve driven by Onboard Controller, N.O., 1.2 mm orifice	9699834
Vent valve driven by Rack Controller, N.C., 1.2 mm orifice (Minimum revision required: A0005 for controller PN X3501-64016. Controller factory setting: N.O. - Switch to N.C. setting to operate the N.C. valve)	X3501-68022
Vent valve driven by Onboard Controller, N.C., 1.2 mm orifice (Minimum revision required: A003. Controller factory setting: N.O. - Switch to N.C. setting to operate the N.C. valve)	9699834M010
Vent flange, NW 10 KF / M8	9699108
Vent valve Rack Extension Cable	X3501-68004 (5 m) X3501-68054 (10 m) X3501-68064 (15 m) X3501-68074 (20 m) X3501-68084 (30 m) X3501-68034 (50 m) X3501-68094 (75 m) X3501-68104 (100 m)
Purge	Part Numbers
Purge 10SCCM M12-NW16KF	9699239
Purge 10SCCM M12-1/4Swagelok	9699240
Purge 20SCCM M12-NW16KF	9699241
Purge 20SCCM M12-1/4Swagelok	9699242
Spare Purge Screw	X3502-68004
Mounting	Part Numbers
Medium-TMP onboard Controller side-mounting bracket	X3511-68003
Medium-TMP KF25 foreline flange	X3511-68001
Medium-TMP KF40 foreline flange	X3511-68002

Compression Ratio



Pumping Speed



## Contact information

### Americas

Agilent Technologies  
121 Hartwell Avenue,  
Lexington, MA 02421 USA  
Toll free: +1 800 882 7426  
vpl-customer@agilent.com

### Europe, Middle East, Africa, India

Agilent Technologies Italia SpA  
Via F.lli Varian 54,  
10040 Leini (Torino), Italy  
Tel: +39 011 9979 111  
Toll free: 00 800 234 234 00  
vpt-customer@agilent.com

### China

Beijing Office Agilent Technologies (China) Co. Ltd.  
No.3, Wang Jing Bei Lu,  
Chao Yang District,  
Beijing, 100102, China  
Toll free: 800 820 6778  
Contacts.vacuum@agilent.com

For more information, please contact  
your Agilent representative or visit  
[www.agilent.com/chem/vacuum](http://www.agilent.com/chem/vacuum) where  
you can chat live with a vacuum expert.



<https://www.agilent.com/en/product/vacuum-technologies/turbo-pumps-controllers/turbo-pumps/twistorr-804-fs-turbo-pump>

DE44480.6199768518

This information is subject to change without notice.

© Agilent Technologies, Inc. 2021  
Printed in the USA, October 18, 2021  
5991-9477EN