

Agilent BioTek MicroFill Dispenser



Product description

The Agilent BioTek MicroFill dispenser offers an economical, compact and reliable alternative to other microplate dispensers. The microprocessor-controlled syringe pump provides accurate and precise dispensing without the time consuming recalibration, cassette replacement, and maintenance commonly associated with other dispensers.

The entire fluid path is autoclavable for those applications requiring sterility. User-controlled dispense flow rates allow low- to high-velocity dispensing for both biochemical and cell-based assays in 24-, 96-, and 384-well standard and low-profile microplates. Deep-well blocks are also accommodated with flexible volume ranges from 5 μL to 6 mL per well.

Features

- 24-, 96-, and 384-well microplates
- Unique carrier design accommodates standard height and deep-well microplates
- Microprocessor-controlled syringe pump guarantees optimal precision and accuracy
- No calibration required
- Organic solvent compatible
- Up to 75 programs stored onboard
- Fully autoclavable fluid path
- Built-in maintenance routines
- Unattended operation with Agilent BioTek BioStack microplate stacker and 3rd party automation

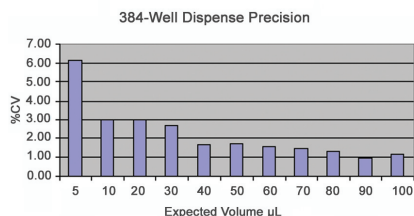


Figure 1. The Agilent BioTek MicroFill dispenser repeatedly delivers reagents across a range of sample viscosities. Typical performance is 1.5% CV at 80 μL .

Typical applications

- Primary and secondary screening assays
- Compound storage
- Genomics and proteomics research
- Cell-based assays
- ELISAs

Configurations

- AF1000A: MicroFill, 24-, 96-, and 384-well microplates and autoclavable fluid path

Optional accessories

- Manifold for 24-well microplates
- Manifold for 96-well half-area and PCR microplates
- Organic solvent tubing set
- Product qualification package
- BioStack microplate stacker

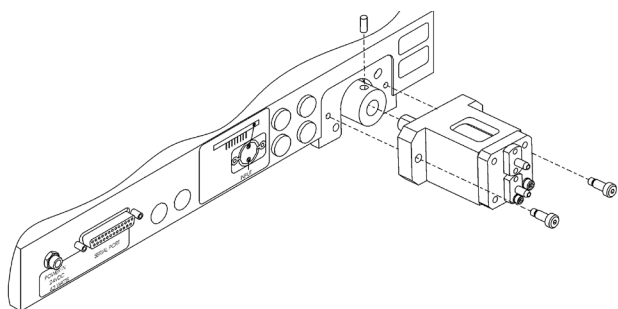


Figure 2. The Agilent BioTek MicroFill autoclavable syringe pump is quickly changed for guaranteed sterility and no reagent carryover.

Technical details

General	
Number of Reagents	1
Microplate Types	24, 96 and 384 wells in low profile, standard and deep well formats PCR plates, microtubes
Soak Time	Programmable in minutes and seconds, up to 60 minutes
Safety/Convenience/Maintenance	Preprogrammed maintenance routines
Automation	Compatible with BioStack microplate stacker and 3 rd party automation
Onboard Software	Create, edit or run multiple protocols
Software	Interface software (optional) for robotic system integration
Dispensing – Syringe pump	
Dispensing Speed	10 µL/well, 96 wells, 1 x 16: 4 sec 5 µL/well, 384 wells, 1 x 16: 7 sec
Manifold Types	24-well dispensing: One 8-tube (1 x 8) manifold – 316 stainless steel tubes 96-well dispensing: One 8-tube (1 x 8) manifold – 316 stainless steel tubes 96-/384-well dispensing: One 16-tube (1 x 16) manifold – 316 stainless steel tubes
Volume Range	5 – 6,000 µL/well (manifold dependent)
Fluid Delivery	One positive displacement syringe drive
Flow Rates	1 – 5
Dispense Accuracy	± 1 µL at 5 µL ± 1 µL at 20 µL ± 1% at 100 µL
Dispense Precision	≤ 5% CV at 5 µL ≤ 2.5% CV at 20 µL ≤ 1% CV at 100 µL
Minimum Prime Volume	10 mL
Supply Bottle	1 L
Sterilization	Autoclave: Up to 50 cycles at temperatures and pressures of 121 °C and 1 bar (750 mm Hg) Chemical: 70% ethyl or isopropyl alcohol and 0.5% sodium hypochlorite solution
Physical characteristics	
Power	100 – 240 Volts AC. 50/60 Hz
Weight	20 lbs (8.9 kg)
Dimensions	18" D x 15" W x 7" H (46 x 38 x 18 cm)

www.agilent.com/lifesciences/biotek

For Research Use Only. Not for use in diagnostic procedures.
RA44403.162974537

This information is subject to change without notice.

© Agilent Technologies, Inc. 2020
Printed in the USA, December 1, 2020
5994-2738EN