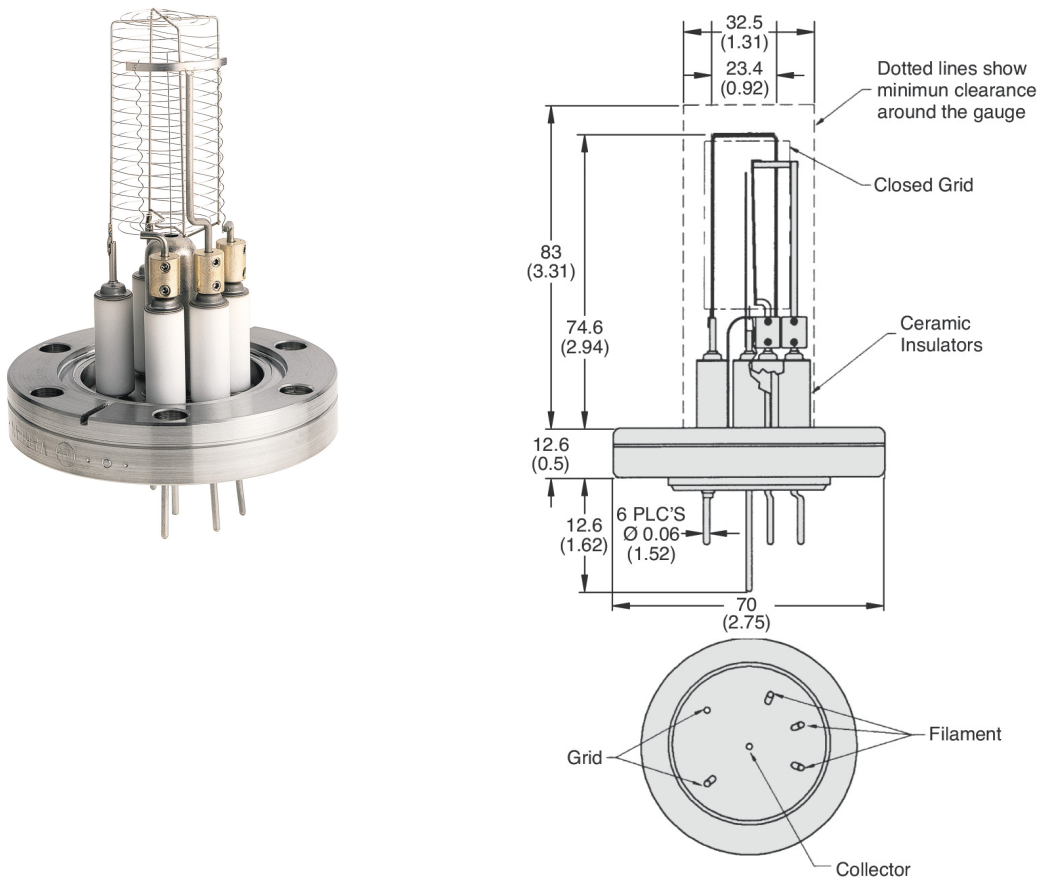


## UHV-24 Bayard-Alpert Gauge Tube



Dimensions: millimeters (inches)

The Agilent UHV-24 and UHV-24p have wide ranges of operating pressure capabilities. The UHV-24 can measure pressures  $2 \times 10^{-11}$  Torr ( $2.7 \times 10^{-11}$  mbar), while the UHV-24p can measure pressures  $5 \times 10^{-12}$  Torr ( $6.7 \times 10^{-12}$  mbar). Because of the small diameter and closed structure, the ionization rate is at least twice that of other ionization gauges. Their small collector diameter limits the X-ray current, which also helps extend the lower pressure limit of the gauge.

## Technical specifications

	UHV-24	UHV-24p
Pressure Range	$2 \times 10^{-11}$ to $1 \times 10^{-3}$ Torr	$5 \times 10^{-12}$ to $1 \times 10^{-3}$ Torr
	$2 \times 10^{-11}$ to $1 \times 10^{-3}$ mbar	$6.7 \times 10^{-12}$ to $1 \times 10^{-3}$ mbar
Sensitivity	25 Torr <sup>-1</sup>	20 Torr <sup>-1</sup>
X-Ray Limit	$2 \times 10^{-11}$ Torr	$5 \times 10^{-12}$ Torr ( $6.7 \times 10^{-12}$ )
Measurement Precision	±20% of full scale within a pressure decade	
Emission Current	4 milliamps default (10 A to 9.99 mA)	
Bakeout Temperature	450 °C with cable connected	
Temperature Limits	Operation 0 °C to 250 °C; storage -15 to 80 °C	
Degas	Electron bombardment 400 volts at 65 mA	
Materials	304 SS, ceramic, Kovar, iridium or tungsten	

## Ordering information

Description	Part Number	Former Part Number	Fitting	Shipping Weight kg (lbs)
UHV-24, dual tungsten filaments	9715008		DN 40 CFF (2.75 in CFF)	2.0 (4.0)
UHV-24, dual yttria-iridium filaments	X3004-64401	9715007	DN 40 CFF (2.75 in CFF)	2.0 (4.0)
UHV-24P Extended Range, dual tungsten filaments	9715014		DN 40 CFF (2.75 in CFF)	2.0 (4.0)
UHV-24P Extended Range, dual yttria-iridium filaments	X3004-64402	9715015	DN 40 CFF (2.75 in CFF)	2.0 (4.0)
Filament replacement kit (tungsten filament)	9710018			0.5 (1.0)
Filament replacement kit (yttria-iridium)	X3004-64403	9710028		0.5 (1.0)

## Contact information

### Americas

Agilent Technologies  
121 Hartwell Avenue,  
Lexington, MA 02421 USA  
Toll free: +1 800 882 7426  
[vpl-customer@agilent.com](mailto:vpl-customer@agilent.com)

### Europe, Middle East, Africa, India

Agilent Technologies Italia SpA  
Via F.lli Varian 54,  
10040 Leini (Torino), Italy  
Tel: +39 011 9979 111  
Toll free: 00 800 234 234 00  
[vpt-customer@agilent.com](mailto:vpt-customer@agilent.com)

### China

Beijing Office Agilent Technologies  
(China) Co. Ltd.  
No.3, Wang Jing Bei Lu,  
Chao Yang District,  
Beijing, 100102, China  
Toll free: 800 820 6778  
[Contacts.vacuum@agilent.com](mailto:Contacts.vacuum@agilent.com)

For more information, please contact  
your Agilent representative or visit  
[www.agilent.com/chem/vacuum](http://www.agilent.com/chem/vacuum) where  
you can chat live with a vacuum expert.



[www.agilent.com/en/  
product/vacuum-technologies/vacuum-  
measurement/vacuum-  
transducers/uhv-24-bayard-alpert-  
gauge-tube](http://www.agilent.com/en/product/vacuum-technologies/vacuum-measurement/vacuum-transducers/uhv-24-bayard-alpert-gauge-tube)

DE44449.4848611111

This information is subject to change without notice.

© Agilent Technologies, Inc. 2021, 2023  
Printed in the USA, February 24, 2023  
5994-4132EN