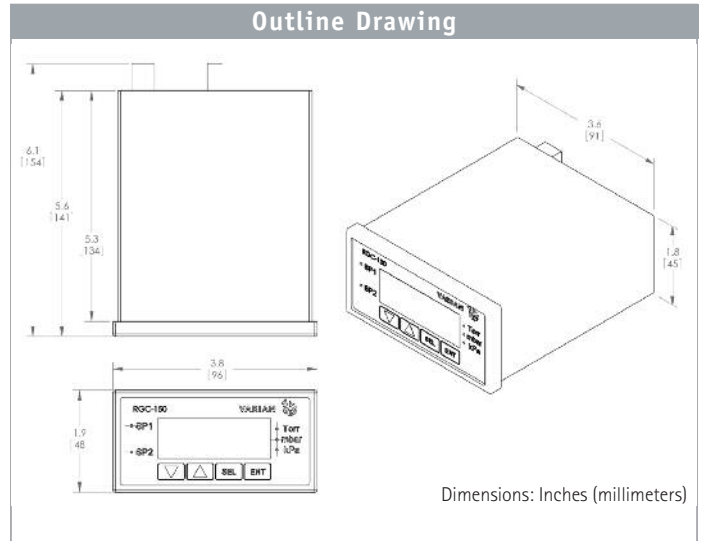


RGC-150



The Varian RGC-150 Rough Gauge Controller is a cost effective solution for pressure measurements in the 1×10^{-3} torr to 760 torr region.

The RGC-100 package includes the TC tube and cables to provide a pre-calibrated turnkey rough vacuum solution.



Applications

- General vacuum measurement and control in the rough vacuum range
- Monitor forelines, chamber evacuation and crossover to high vacuum pumps

Features

Thermocouple gauge – Varian 531 – and controller are pre-calibrated as a set at the factory using a NIST standard

Two easily configured set points

Runs on 100–230 VAC, 50/60 Hz and displays in Torr, mbar and kPa

Large bright LED display

Optional Ethernet connection and software that allows for remote monitoring through a web browser

Benefits

No calibration required at initial setup

Utilize pressure readings to perform critical operations

Globally compatible

Easily read from across a room or in dimly lit locations

Monitor vacuum performance from a remote location

NOTICE: This document contains references to Varian. Please note that Varian, Inc. is now part of Agilent Technologies. For more information, go to www.agilent.com/chem.

RGC-150

Technical Specifications		
Measurement range	1 x 10 ⁻³ to 1013 mbar (1 x 10 ⁻³ to 760 Torr)	
Accuracy	% of reading	Units
	± 10%	1.3 x 10 ⁻³ to 1.3 mbar (1 milli Torr to 1 Torr)
	± 15%	1.3 to 13.3 mbar (1 to 10 Torr)
	± 50%	13.3 to 213 mbar (10 to 160 Torr)
	± 25%	213 to 1000 mbar (160 Torr to 760 Torr)
Vacuum fitting	1/8 inch NPT-M	
Interface cable length	10 ft.	
Sensor	See below	
Display	0.38 inch high 6 digit red LED	
Dimensions	1.7 inch high, 3.52 inch wide, 5.35 inch deep	
Analog output	0-5 VDC	
Supply voltage	100-240VAC, 50/60 Hz	
Standards	CE, ROHS compliant	
Optional setpoint controls	7A, 250 V	
Optional communication interface	RS-232	
Mounting	1/8 DIN rack mount	

Ordering Information	
Description	Part Number
RGC-150 Rough Gauge Controller	RGC150
RGC-150 Rough Gauge Controller with Ethernet and Software	RGC150E
Accessories	
Replacement sensors	
1/8 inch NPT-M	F0472303
KF16	L6141308
KF25	L6141309
1.33 in CFF	L6141305