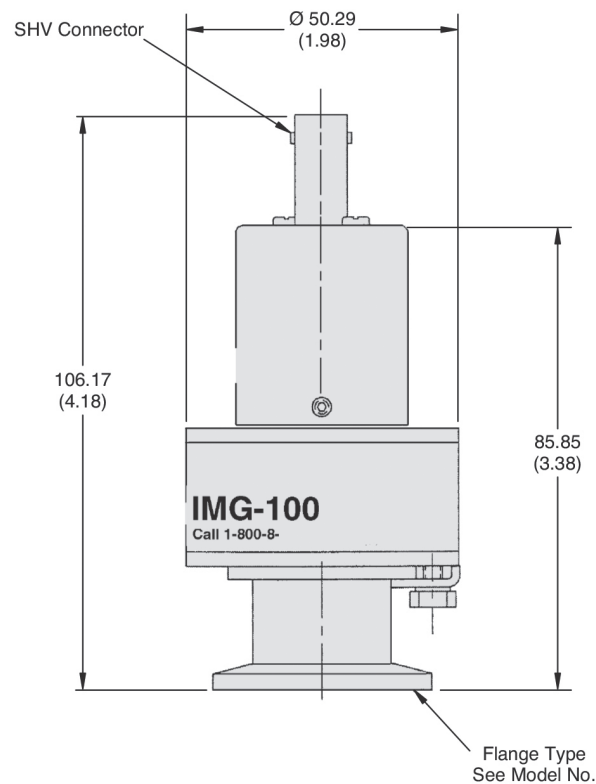


## IMG-100 Inverted Magnetron Gauge



Dimensions: millimeters (inches)

The Agilent IMG-100 Inverted-Magnetron gauge tubes produce accurate, repeatable pressure readings and may be used in dirty or corrosive applications. Their measurement performance is similar to Bayard-Alpert gauges, but like cold-cathode gauges they are easy to clean and repair, without the limitations that most cold-cathode gauges have.

The Agilent IMG-100 can measure pressures in a range comparable to most glass hot-filament gauges. This passive high vacuum gauge is perfect for use in vacuum furnaces and other industrial systems, where ruggedness is of prime importance.

## Technical Specifications

|   |
|---|
| <b>Measurement range</b>  |
| 1 x 10 <sup>-3</sup> Torr to 5 x 10 <sup>-9</sup> Torr, 1.3 x 10 <sup>-3</sup> to 6.7 x 10 <sup>-9</sup> mbar |
| <b>Temperature limits</b>   |
| Operating: 0 °C to 80 °C; storage: -15 to 80 °C   |
| <b>Bake out temperature with Conflat flange</b>   |
| 150 °C maximum lower case: cable disconnected   |
| <b>Ignition response (starting time)</b>  |
| T < 5 seconds at pressures < 1 x 10 <sup>-6</sup> Torr  |
| <b>Materials exposed to vacuum</b>  |
| 300 series stainless steel, nickel, glass (feedthrough)   |
| <b>Operating voltage</b>  |
| 3 kilovolts   |
| <b>Sensitivity</b>  |
| 2.7 A / Torr + 20% at 5 x 10 <sup>-6</sup> Torr   |

## Ordering Information

| Description                        | Part Number | Shipping Weight kg (lbs) |
|------------------------------------|-------------|--------------------------|
| IMG-100 DN 25 ISO-KF               | R0310301    | 1.0 (2.0)                |
| IMG-100 DN 40 ISO-KF               | R0310302    | 1.0 (2.0)                |
| IMG-100 DN 40 CFF<br>(2.75 in CFF) | R0310303    | 1.0 (2.0)                |

## Contact information

### Americas

Agilent Technologies  
121 Hartwell Avenue,  
Lexington, MA 02421 USA  
Toll free: +1 800 882 7426  
vpl-customer@agilent.com

### Europe, Middle East, Africa, India

Agilent Technologies Italia SpA  
Via F.lli Varian 54,  
10040 Leini (Torino), Italy  
Tel: +39 011 9979 111  
Toll free: 00 800 234 234 00  
vpt-customer@agilent.com

### China

Beijing Office Agilent Technologies (China) Co. Ltd.  
No.3, Wang Jing Bei Lu,  
Chao Yang District,  
Beijing, 100102, China  
Toll free: 800 820 6778  
Contacts.vacuum@agilent.com

For more information, please contact your Agilent representative or visit [www.agilent.com/chem/vacuum](http://www.agilent.com/chem/vacuum) where you can chat live with a vacuum expert.



<https://www.agilent.com/en/product/vacuum-technologies/vacuum-measurement/vacuum-transducers/img-100-inverted-magnetron-gauge>

DE44449.4866087963

This information is subject to change without notice.

© Agilent Technologies, Inc. 2021  
Printed in the USA, September 21, 2021  
5994-4130EN