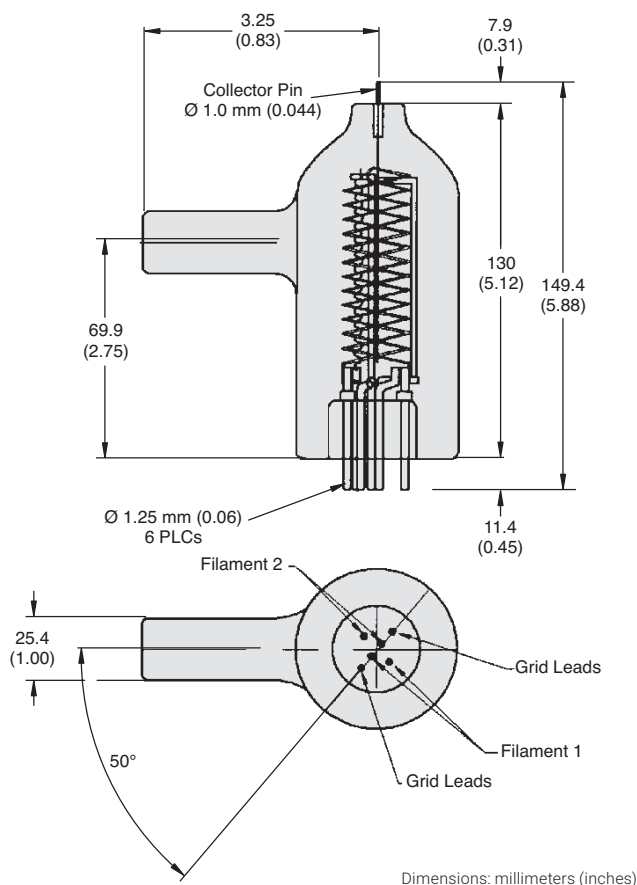


## 572 Bayard-Alpert Gauge Tube



The 572 Bayard-Alpert Gauge hot-cathode ionization gauge tube is a high-performance, high vacuum gauge with a wide range of linear response from  $2 \times 10^{-10}$  to  $1 \times 10^{-3}$  Torr ( $2.7 \times 10^{-10}$  to  $1.33 \times 10^{-3}$  mbar). It is designed to withstand long periods of outgassing, and to facilitate simple external switching of filaments without disturbing the vacuum system. The 572 is compatible with virtually all modern hot filament ionization gauge controllers.

## Technical Specifications

<b>Sensitivity</b>
10 (Torr) <sup>-1</sup> (mbar) <sup>-1</sup> (typical)
<b>Operating ratings</b>
0 VDC to ground (collector) + 180 VDC to ground (grid) + 30 VDC to ground (filament)
<b>X-Ray limit</b>
2 x 10 <sup>-10</sup> Torr, (2.6 x 10 <sup>-10</sup> mbar)
<b>Bakeout temperature</b>
450° C (ISO-KF: 200° C FKM o-ring, 100° C Buna o-ring)
<b>Operating pressure</b>
2 x 10 <sup>-10</sup> Torr to 1 x 10 <sup>-3</sup> Torr (2.7 x 10 <sup>-10</sup> mbar to 1 x 10 <sup>-3</sup> mbar)

## Ordering Information

Description	Part Number	Fitting	Shipping Weight kg (lbs)
572 Dual-tungsten-filament ionization gauge tube	K7360301	1 in. Glass tubulation	0.5 (1.0)
	K7360302	1 in. Kovar tubulation	0.5 (1.0)
	K7360303	¾ in. Glass tubulation	0.5 (1.0)
	K7360304	¾ in. Kovar tubulation	0.5 (1.0)
	K7360305	DN 25 ISO-KF	0.5 (1.0)
	K7360306	DN 40 ISO-KF	0.5 (1.0)
	K7360307	DN 40 CFF (2.75 in CFF)	0.5 (1.0)

## Contact information

### Americas

Agilent Technologies  
121 Hartwell Avenue,  
Lexington, MA 02421 USA  
Toll free: +1 800 882 7426  
vpl-customer@agilent.com

### Europe, Middle East, Africa, India

Agilent Technologies Italia SpA  
Via F.lli Varian 54,  
10040 Leini (Torino), Italy  
Tel: +39 011 9979 111  
Toll free: 00 800 234 234 00  
vpt-customer@agilent.com

### China

Beijing Office Agilent Technologies (China) Co. Ltd.  
No.3, Wang Jing Bei Lu,  
Chao Yang District,  
Beijing, 100102, China  
Toll free: 800 820 6778  
Contacts.vacuum@agilent.com

For more information, please contact your Agilent representative or visit [www.agilent.com/chem/vacuum](http://www.agilent.com/chem/vacuum) where you can chat live with a vacuum expert.



<https://www.agilent.com/en/product/vacuum-technologies/vacuum-measurement/vacuum-transducers/572-bayard-alpert-gauge-tube>

DE44449.4874652778

This information is subject to change without notice.

© Agilent Technologies, Inc. 2021  
Printed in the USA, September 21, 2021  
5994-4129EN