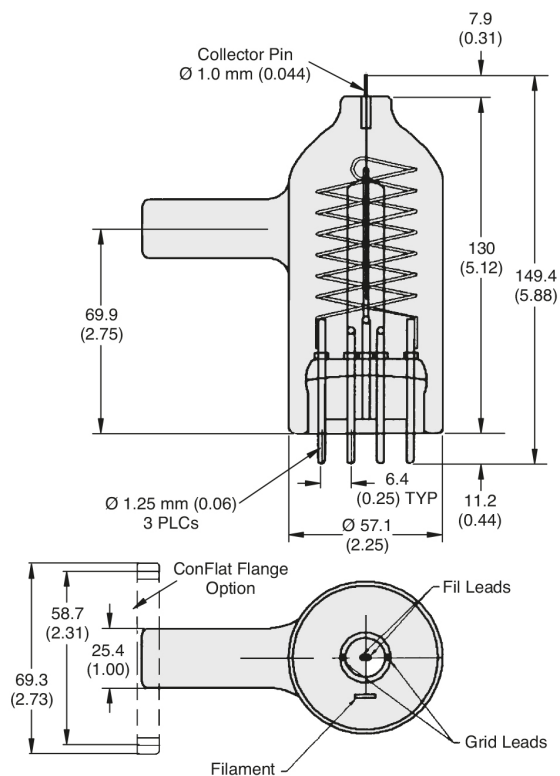


## 571 Bayard-Alpert Gauge Tube



Dimensions: millimeters (inches)

The Agilent 571 Bayard-Alpert gauge offers high performance over a pressure range of  $2 \times 10^{-10}$  to  $1 \times 10^{-3}$  Torr ( $2.7 \times 10^{-10}$  to  $1.33 \times 10^{-3}$  mbar). The 571 gauge withstands long periods of degassing or accidental exposure to atmospheric pressure while at operating temperature and will still recover its original characteristics. A reference gauge is also available, sealed off at  $\leq 5 \times 10^{-6}$  Torr for use in testing a gauge controller.

## Technical specifications

<b>Sensitivity</b>
6 (Torr) <sup>-1</sup> (mbar) <sup>-1</sup> (typical)
<b>Operating Ratings</b>
0 VDC to ground (collector) 0 VDC (shield) +180 VDC to ground (grid) +30 VDC to ground 4.0 VAC nominal (filament)
<b>X-Ray Limit</b>
4 × 10 <sup>-10</sup> Torr, (5.2 × 10 <sup>-10</sup> mbar)
<b>Bakeout Temperature</b>
450 °C (ISO-KF: 200 °C FKM o-ring, 100 °C Buna o-ring)
<b>Operating Pressure</b>
4 × 10 <sup>-10</sup> Torr to 5 × 10 <sup>-2</sup> Torr (5 × 10 <sup>-10</sup> mbar to 6.7 × 10 <sup>-2</sup> mbar) (air)
4 × 10 <sup>-10</sup> Torr to 1 × 10 <sup>-1</sup> Torr (5 × 10 <sup>-10</sup> mbar to 1 × 10 <sup>-1</sup> mbar) (argon)

## Ordering information

Description	Part Number	Former Part Number	Material Description	Shipping Weight kg (lbs)
571 Ionization tube with yttria-coated iridium filament	X3004-64301	K2471301	Glass ion gauge, 571, 1 in Tubulat Nonex	0.5 (1.0)
	X3004-64302	K2471302	Glass ion gauge, 571, 1 in Kovar Tubulat	0.5 (1.0)
	X3004-64303	K2471303	Glass ion gauge, 571, 2.75 in CFF	1.0 (2.0)
	X3004-64304	K2471304	Glass ion gauge, 571, 3/4 in Tubulat Nonex	0.5 (1.0)
	X3004-64305	K2471305	Glass ion gauge, 571, 3/4 in Kovar	0.5 (1.0)
	X3004-64306	K2471306	Glass ion gauge, 571, 1 in tube, NW25 KF	0.5 (1.0)
	X3004-64311	K2471311	Glass ion gauge, 571, 1 in Kovar, NW40 KF	1.0 (2.0)
571 reference ionization tube with yttria-coated iridium filament (sealed off at ≤5 × 10 <sup>-6</sup> Torr)	X3004-64307	K2471307	Glass ion gauge, reference, 5 × 10 <sup>-6</sup> Torr, sealed	0.5 (1.0)

## Contact information

### Americas

Agilent Technologies  
121 Hartwell Avenue,  
Lexington, MA 02421 USA  
Toll free: +1 800 882 7426  
[vpl-customer@agilent.com](mailto:vpl-customer@agilent.com)

### Europe, Middle East, Africa, India

Agilent Technologies Italia SpA  
Via F.lli Varian 54,  
10040 Leini (Torino), Italy  
Tel: +39 011 9979 111  
Toll free: 00 800 234 234 00  
[vpt-customer@agilent.com](mailto:vpt-customer@agilent.com)

### China

Beijing Office Agilent Technologies (China) Co. Ltd.  
No.3, Wang Jing Bei Lu,  
Chao Yang District,  
Beijing, 100102, China  
Toll free: 800 820 6778  
[Contacts.vacuum@agilent.com](mailto:Contacts.vacuum@agilent.com)

For more information, please contact your Agilent representative or visit [www.agilent.com/chem/vacuum](http://www.agilent.com/chem/vacuum) where you can chat live with a vacuum expert.



[www.agilent.com/en/product/vacuum-technologies/vacuum-measurement/vacuum-transducers/571-bayard-alpert-gauge-tube](http://www.agilent.com/en/product/vacuum-technologies/vacuum-measurement/vacuum-transducers/571-bayard-alpert-gauge-tube)

DE44449.4882523148

This information is subject to change without notice.

© Agilent Technologies, Inc. 2021, 2023  
Printed in the USA, February 9, 2023  
5994-4128EN