

Agilent G3 Microarray Format

Technical Drawings with Tolerances

Agilent G3 arrays contain features arranged onto a hexagonal grid. The arrays approximate a rectilinear grid, with the even rows offset to the right by one-half of the column spacing.

Figure 1 shows the feature spacing for all formats:

- The nominal feature diameter is 0.030 mm.
- The nominal row spacing is 0.018330871 mm.
- The nominal column spacing is 0.06349 mm.
- The nominal offset of the even rows is 0.031745 mm.

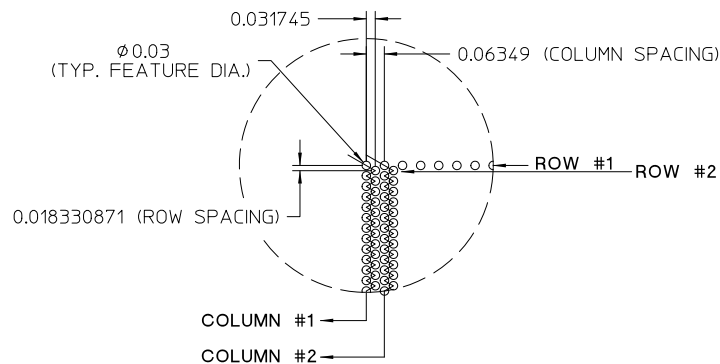


Figure 1 Feature spacing for all formats



1M Format (1 array per slide)

This format contains a single array of 974,016 features arranged in 1,068 rows and 912 columns. **Figure 2** shows the location (with tolerances) of the array on the slide.

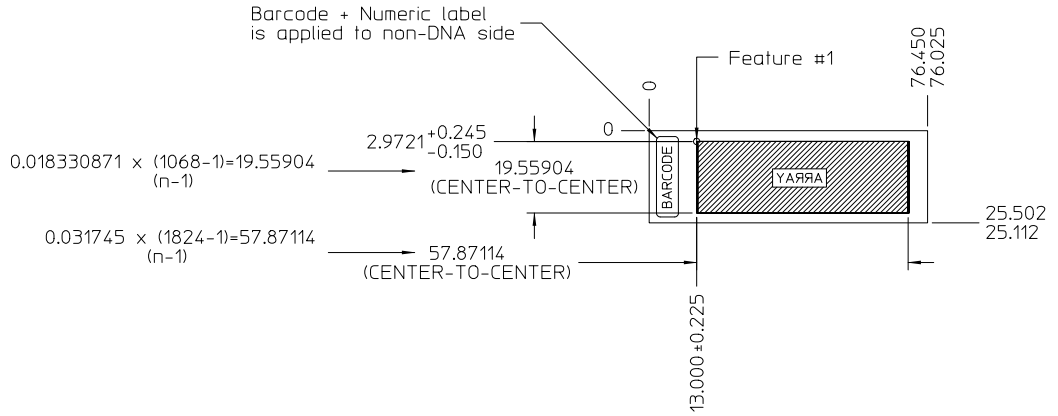


Figure 2 1M Format

2×400K Format (2 arrays per slide)

This format contains two arrays of 420,288 features, arranged in 1,056 rows and 398 columns. **Figure 3** shows the location (with tolerances) of the arrays on the slide.

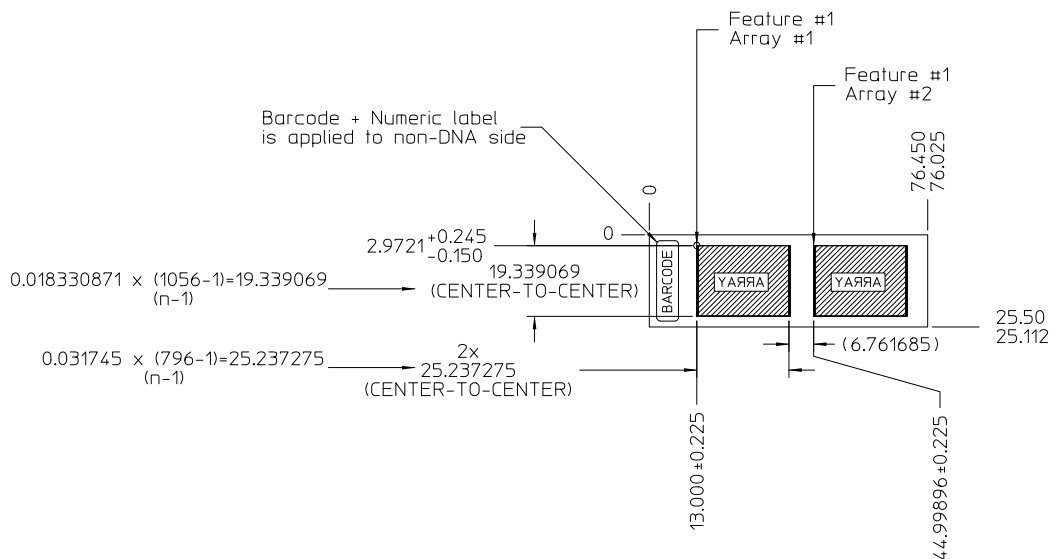


Figure 3 2×400K Format

4×180K Format (4 arrays per slide)

This format contains four arrays of 180,880 features, arranged in 1,064 rows and 170 columns. **Figure 4** shows the location (with tolerances) of the arrays on the slide.

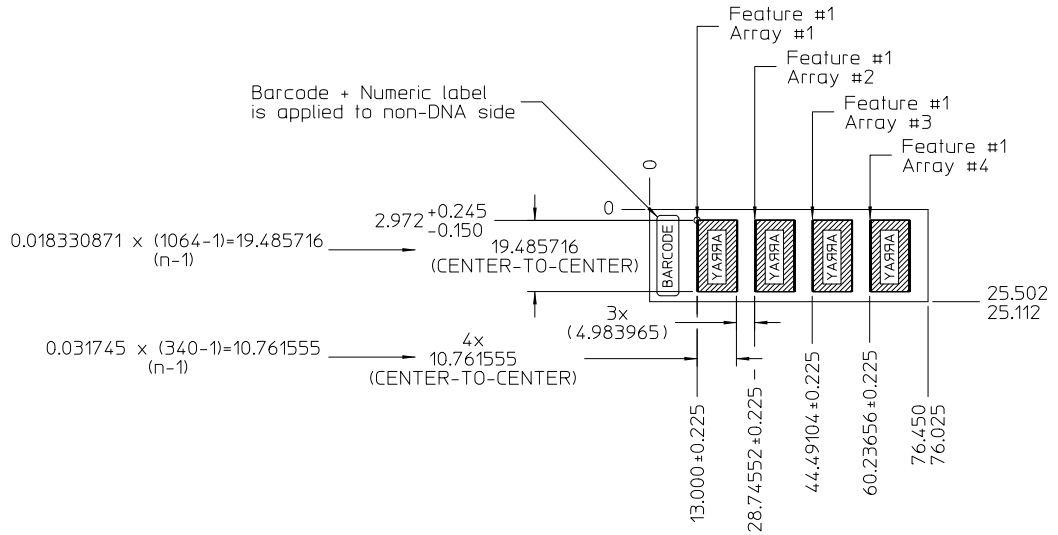


Figure 4 4×180K Format

8×60K Format (8 arrays per slide)

This format contains eight arrays in a 4×2 grid, each array containing 62,976 features arranged in 1,064 rows and 170 columns. **Figure 5** shows the location (with tolerances) of the arrays on the slide.

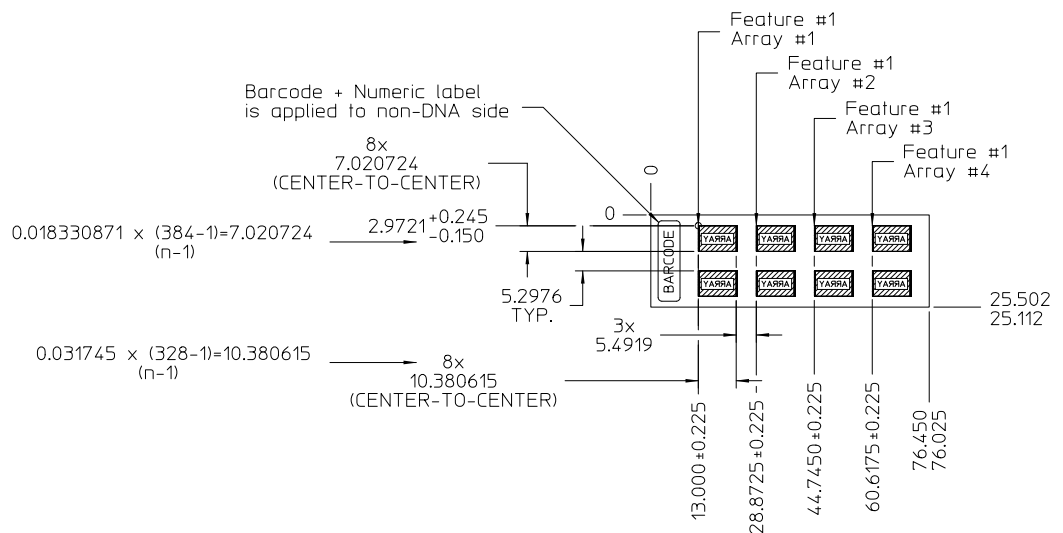


Figure 5 8×60K Format

© Agilent Technologies, Inc. 2008, 2017

www.agilent.com

Revision A1, April 2017



G4502-90002